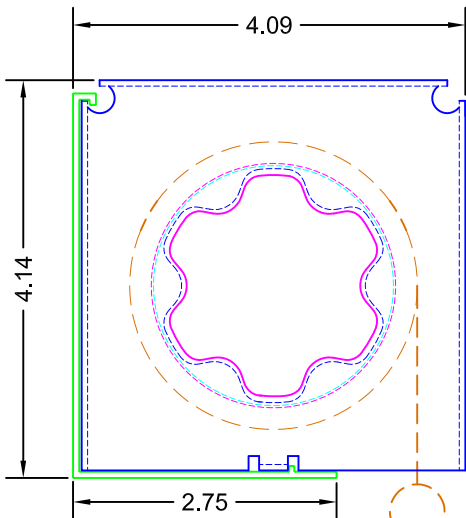
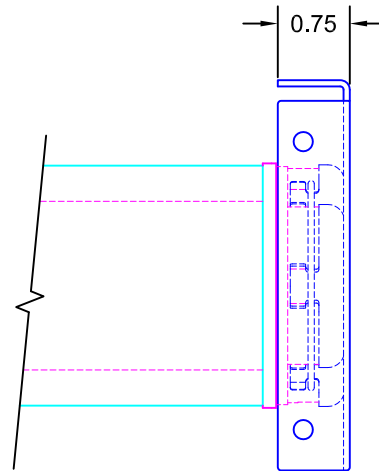


**TOP VIEW**




**SIDE VIEW**



**FRONT VIEW**

**LEGEND**

- |   |   |
|---|---|
|  LT50 4" BRACKET |  2.5" ALUMINUM TUBE    |
|  ALTUS 50 MOTOR  |  FABRIC W/ BOTTOM RAIL |
|  FASCIA          |   |



**ROLL-A-SHADE®**  
MANUFACTURING SUN CONTROL SOLUTIONS

12101 Madera Way  
Riverside, CA 92503

Phone: 951.245.5077  
Fax 951.245.5075

DESCRIPTION:

**ALTUS 50  
MOTORIZED SHADE**

WITH 4" SYSTEM

SCALE: 6" = 1'-0"

DATE: 8/19/2013

SHEET NO:

**R-12.2**