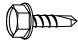


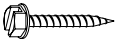


RAS - Installation Instructions Stationary Shade

Hardware Included

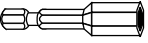


1/4" x 5/8" Self Tapping Screws

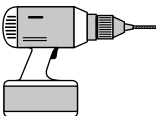


1/4" x 1" Wood Screws (If requested)

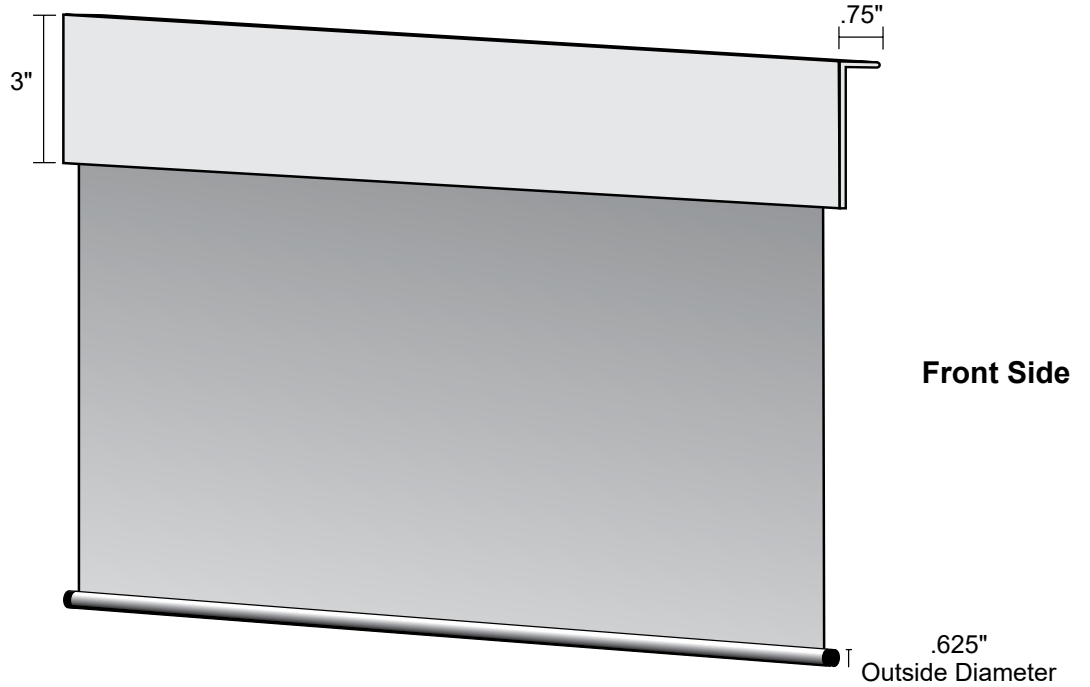
Tools Required



1/4" Hex Head



Drill



Install Shade

Center and screw stationary valance directly to underside of window frame.

