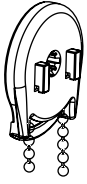
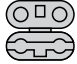

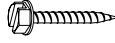

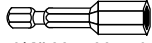
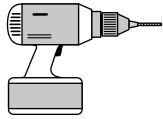


RAS - Installation Instructions Clutch Replacement

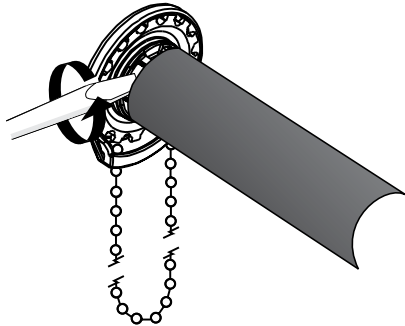
Hardware Included					Tools Required	
						
Clutch	Plastic Connectors or Metal Stop Ball	1/4" x 5/8" Self Tapping Screws	1/4" x 1" Wood Screws (If requested)	Self Tapping Phillips Screws for Tension Device	Phillips Head	
						Drill

1. Remove Shade from Brackets

Lift the clutch (chain) side of the shade up then pull clutch out of bracket. If it "sticks" in bracket use a screw driver to gently wedge out.

2. Remove Clutch

Place the shade on a flat stable surface. Using a small flat head screwdriver pry the clutch away from the metal tube until it is loose enough to pull out by hand.



3. Roll Shade Up

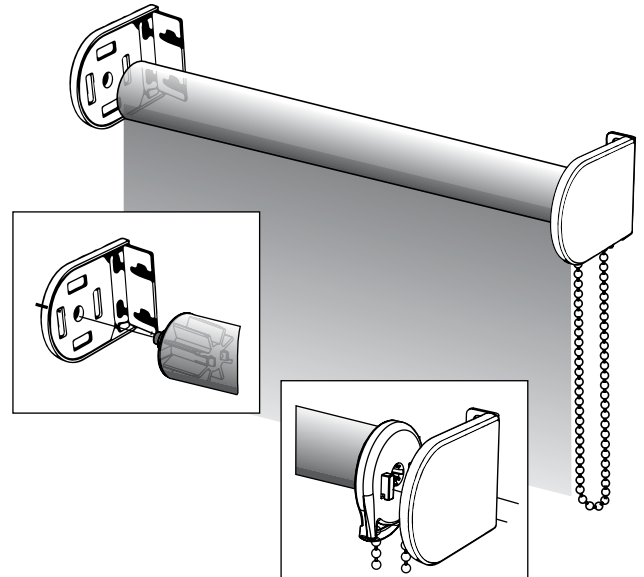
By hand roll shade up until bottom rail is hanging down two inches.

4. Insert Clutch

Insert clutch into tube making sure the chain is hanging down. The clutch will be a tight fit into the tube and may require using a rubber mallet.

5. Install Shade

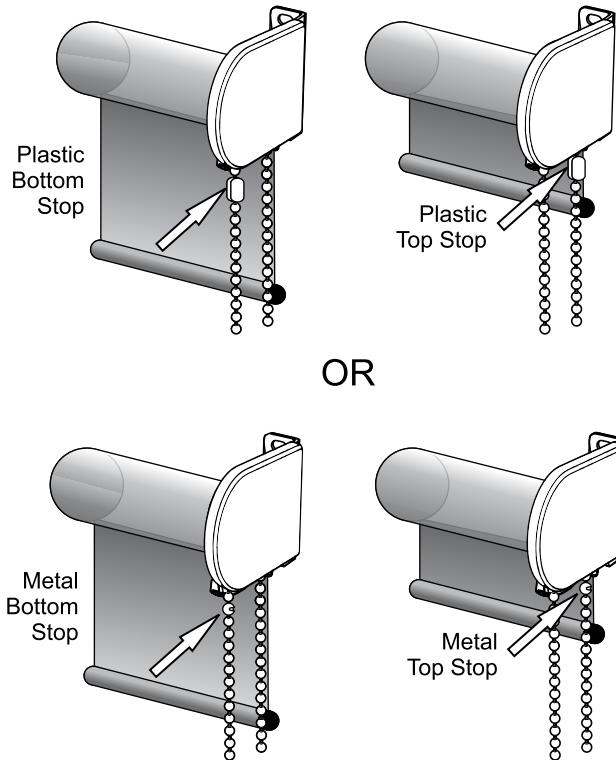
Put the spring loaded pin into the round hole of the bracket. Keeping the pin end secured in it's bracket, insert the hook arms on the clutch straight into the two hook arm receiver holes on the bracket. Once the two hook arms are through the holes, gently pull down on the clutch until the two hook arms have locked securely to the bracket. The bottom of the clutch should always point straight down.



DO NOT TWIST CLUTCH IN

6. Install Plastic Connectors or Metal Stop Ball to Bead Chain

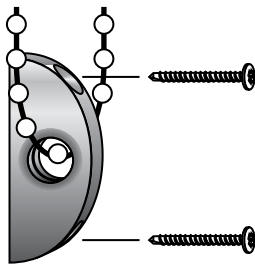
Pull the rear chain to lower the shade to appropriately 1/4" above sill and attach connector or stop ball to upper most bead on front chain closest to the clutch. By attaching this connector or stop ball you will set how far the shade will lower. Pull the front chain and raise the shade so the bottom rail is 5" below the shade and attach a connector or stop ball on the back chain at upper most bead.



7. Install the Chain Anchor

The chain anchor is a plastic piece that is attached to the chain to secure it from possible accidents. Position the chain anchor on the window frame so that the chain anchor and chain do not interfere with raising or lowering the shade. The chain anchor should be installed without stretching or pulling down on the chain. Leave a little play through the chain anchor to allow the chain to pass freely. Do not twist or cross the bead chain. Secure the anchor with Phillips screws in both upper and lower holes.

Warning: Failure to use the tension device may cause injury or death.



WARNING



Window Blind Cord Can STRANGLE Your Child

- Children can climb furniture to reach cords
- Move cribs and other furniture away.
- Keep all cords out of children's reach.
- Attach tension device to wall or floor.
- Fasteners provided with the tension device may not be appropriate for all mounting surfaces.
- Use appropriate anchors for the mounting surface conditions.