
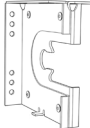


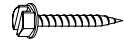







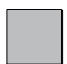
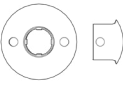
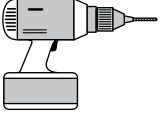
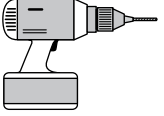




RAS - Installation Instructions Plus+ Shade 4" Bottom Fascia Motorized Linked UL

Hardware Included						Tools Supplied	Tools Required
							
Motor Bracket	Single Bearing Link Bracket(s)	Pin End Termination Bracket	1/4" x 5/8" Self Tapping Screws	1/4" x 1" Wood Screws (If requested)	Drywall Anchors		Phillips Head
							
Remote (Optional)	Wall Switch (Optional)	Wire Tie Kit	Fascia	Bracket Cover (Optional)	Bearing & Locking Clip		Drill

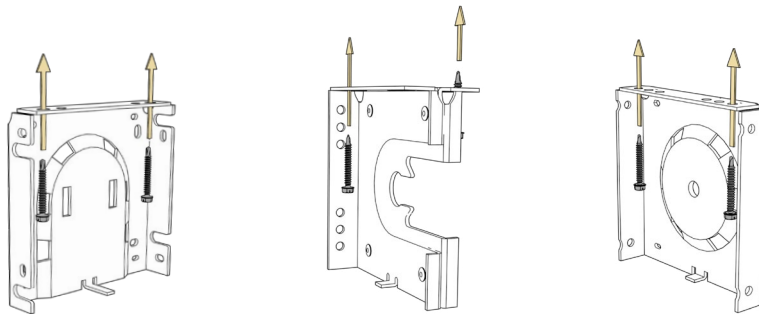
1. Install Bracket

Install motor bracket. Install all single bearing link brackets. Then, install pin end termination bracket. Make sure ALL brackets are level.

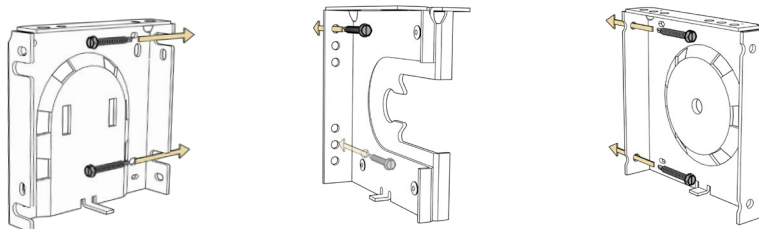
Note: Brackets may not be rotated for side mount

Note: If screws do not secure into stud, use supplied drywall anchors.

Note: Must be at least two screws in every bracket



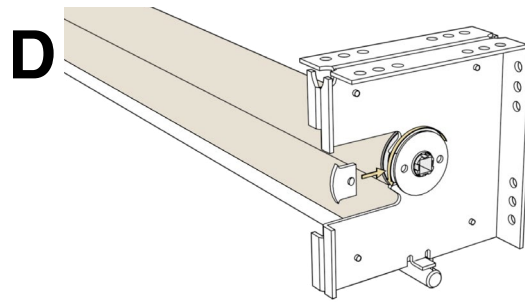
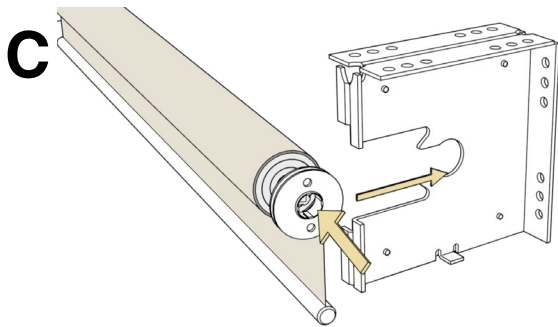
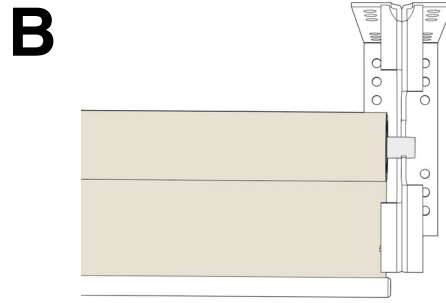
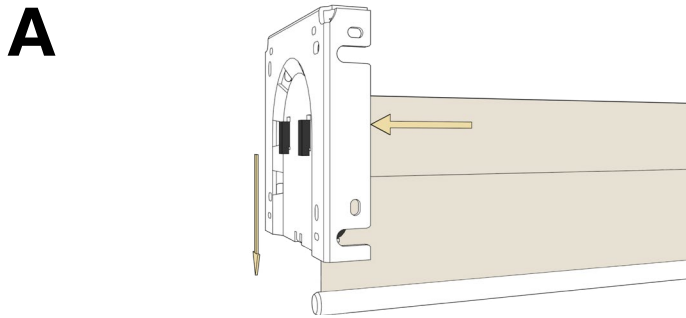
TOP Installation



BACK Installation

2. Install the Motor Shade

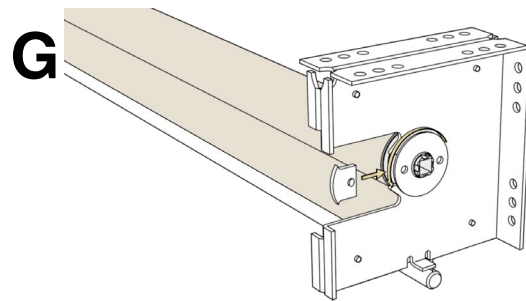
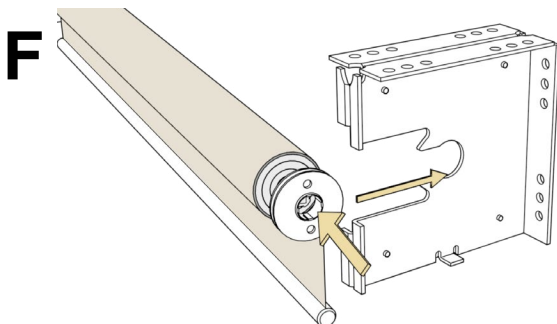
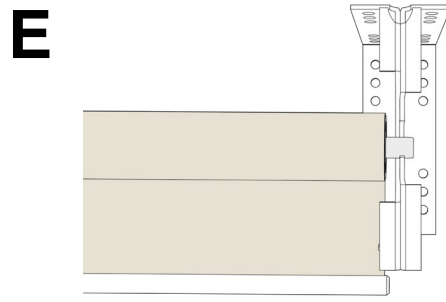
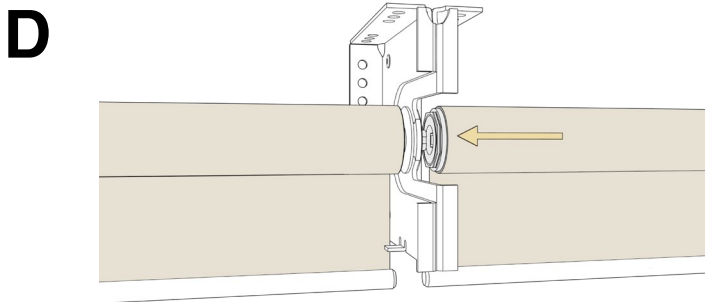
(A) Insert the cross on motor into tongue motor bracket and (B) rest link pin onto the "C" of link bracket. (C) Go to link end of motor shade, and with holes facing away from the motor, slide bearing onto end of link pin (rotating slightly if needed). Make sure holes are vertical as picture shows and slide onto bracket. (D) Once firmly into bracket, rotate holes 90 degrees so holes are as picture, insert locking clip into bearing until it clicks (Note: Bearing clip cannot not be removed once engaged)



Skip step #3 if there is only one linked shade

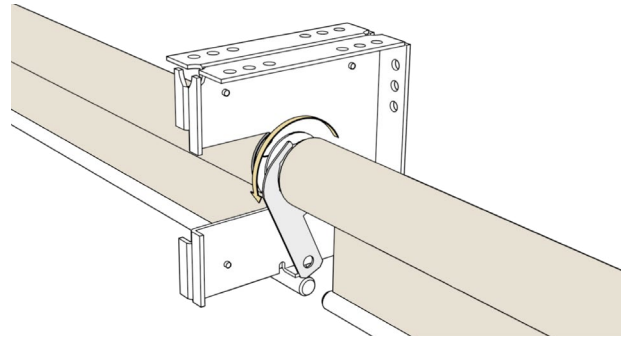
3. Linking 3 or more Shades

(D) Take slave blind with adjuster, and place adjuster over shaft rotating slightly if needed to secure on shaft. (E) Rest link pin onto "C" of Link bracket (F) Go to link end of shade and with holes facing away from motor, slide bearing on end of link (rotating slightly if needed). Make sure holes are vertical as picture shows and slide onto bracket. (G) Once firmly into bracket rotate holes 90 degrees so holes are as picture, insert locking clip into bearing until it clicks (Note: Bearing clip cannot not be removed once engaged).



4. Adjusting Levels of Shades

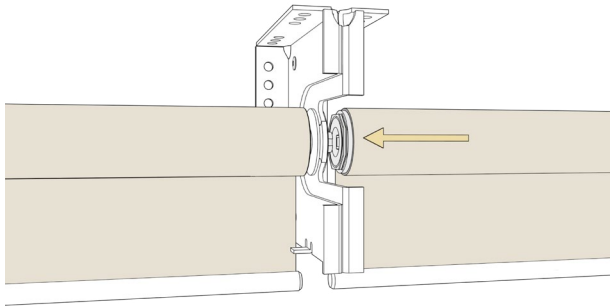
Once link shade secured, use wheel on infinite adjuster to adjust the level of the bottom of shade of slave shade(s) until it becomes level with Motor shade. The leveling can be performed in both Up and Down direction. A spanner is available if space is too tight to get fingers around the adjusting wheel.



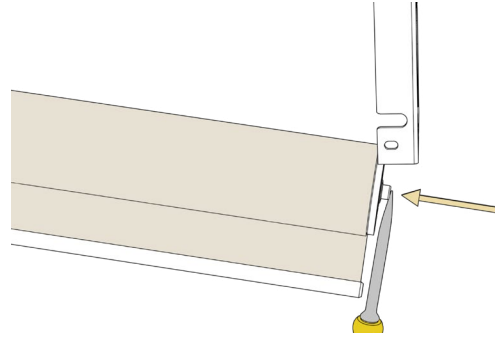
5. Install the Pin End Shade/Final Shade

(H) From pin end of shade take slave blind with adjuster, and place adjuster over shaft rotating slightly if needed to secure on shaft (I) Depress pin end (J) and slide onto bracket until pin engages in center hole.

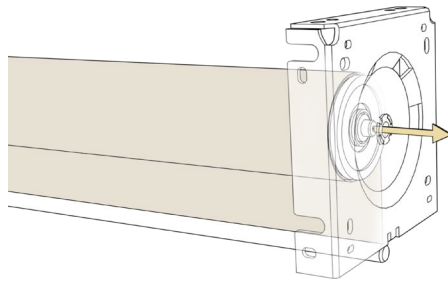
H



I

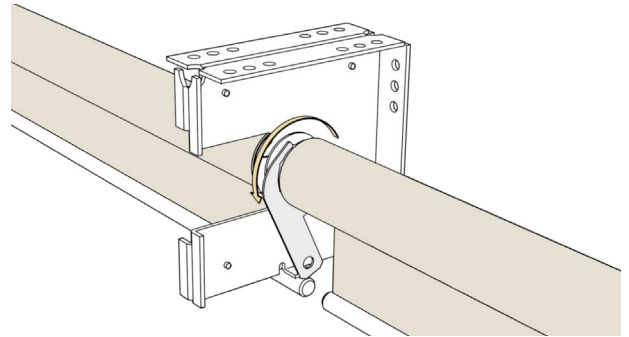


J



6. Adjusting Levels of Shades

Once link shade secured, use wheel on infinite adjuster to adjust the level of the bottom of shade of slave shade(s) until it becomes level with Motor shade. The leveling can be performed in both Up and Down direction. A spanner is available if space is too tight to get fingers around the adjusting wheel.



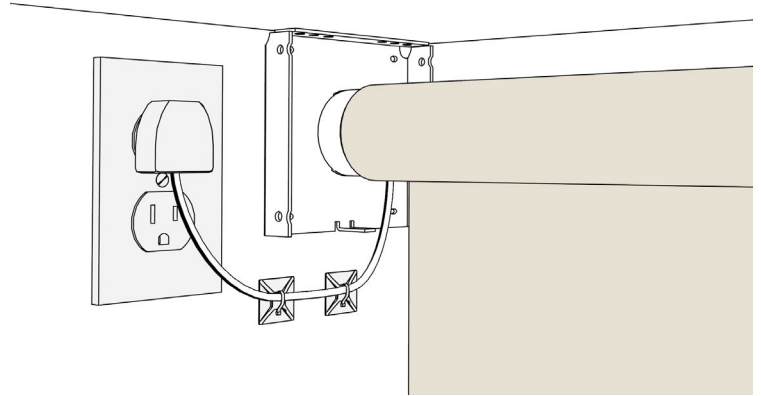
7. Plug in Motor

Run motor power cord to nearest power outlet. Install wire tie pads and secure with zip ties to hold wire down. The path of the wire should be parallel with mullions and/or drop ceiling tiles ensuring the cable is neatly organized.

Note1: If using same outlet for multiple motors, the plug may need to be rotated by loosening the middle screw of the plug and rotate to desired position. Then, tighten screw.

Note2: If you need to shorten the power cord, loosen cord clamp screws. Loosen face screw and separate units. Do not remove screws. Cut cord to desired length. Prepare cord by removing the outer jacket 1 5/8". Strip bare each conductor 3/8" strands. Connect green (ground) wire under terminal clamp with green screw. Connect white (neutral) wire under terminal clamp with silver screw, and black (hot) wire under terminal with brass screw. Reassemble device by aligning to desired position. Tighten face screw. Tighten cord clamp securely, making sure that cord jacket is being clamped uniformly while securing clamp.

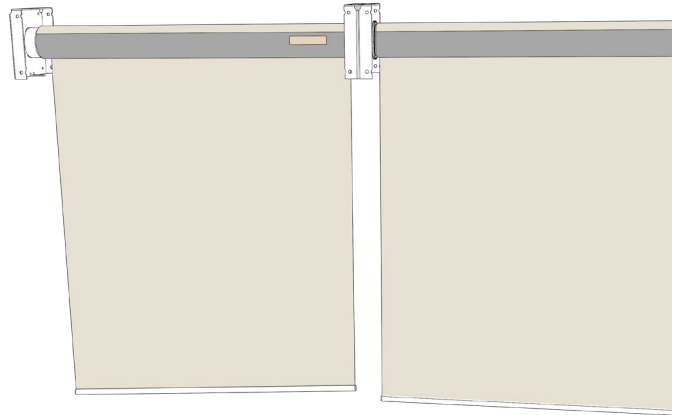
WARNING: Failure to wire as instructed may cause personal injury or damage to device or equipment.



Note: No cord should be cut shorter than 18"

8. Shade Tracking (If Necessary)

Roll shade up and down to confirm hembar or bottom rail is level and material rolls straight on center tube. If the hembar or bottom rail is not level, lower shade until you see the metal tube. Add layers of masking tape to the metal tube to the end that is too low until hembar or bottom rail is straight. If the material tracks to one side, lower shade until the metal tube is visible. Add layers of masking tape to the metal tube to the end that is opposite the direction of tracking, until shade rolls up straight.



9. Install the Fascia

Place the top hanger arm of the fascia into the corner openings of the brackets on the 4 inch side (Fig. 1). Gently push the hooked bottom onto the bracket (Fig. 2) insuring each side is locked.

