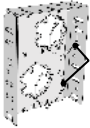

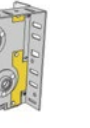

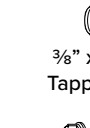
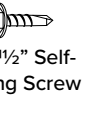
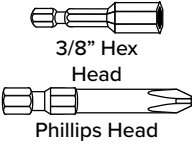
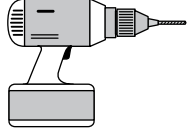
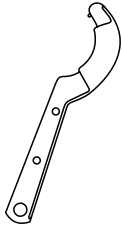



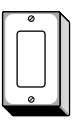
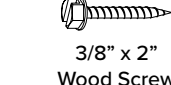
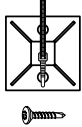
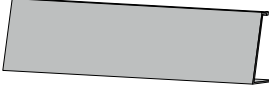





RAS - Installation Instructions Contract Plus+ Shade 7" Dual Motorized UL



Hardware Included						Tools Required	Tools Supplied
						  Drill	 Idler Adjustment Wrench
							
							

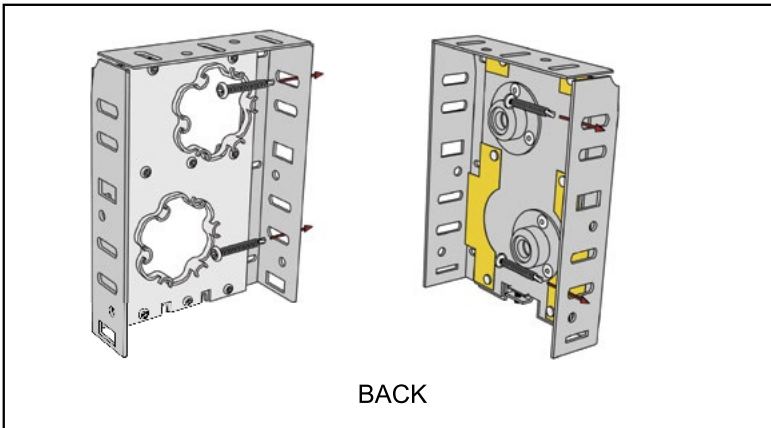
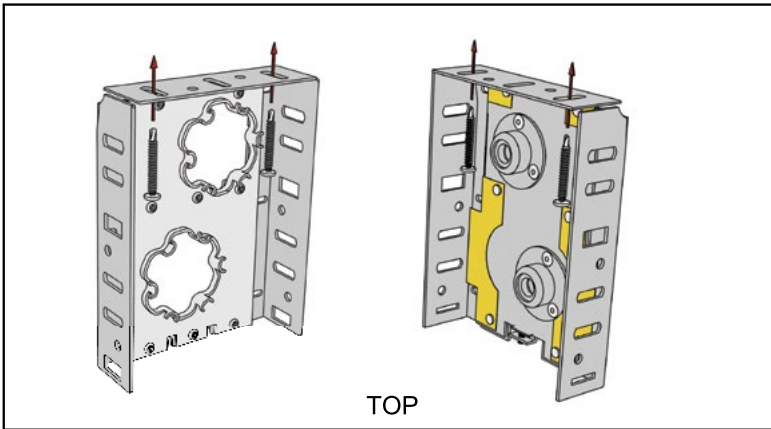
1. Install Brackets

Install star head motor bracket. Then, install double bearing pin end bracket. Make sure **ALL** brackets are level.

Note: Brackets may be rotated for side mount.

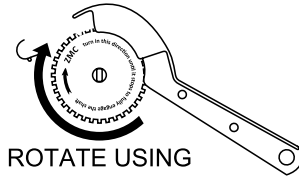
Note: If screws do not secure into stud, use supplied drywall anchors.

Note: Must be at least two screws in every bracket.



Pro Tip

All pin-ends & links are retractable to rotate, simply follow instructions on pin end or link. Wrench provided for your convenience.

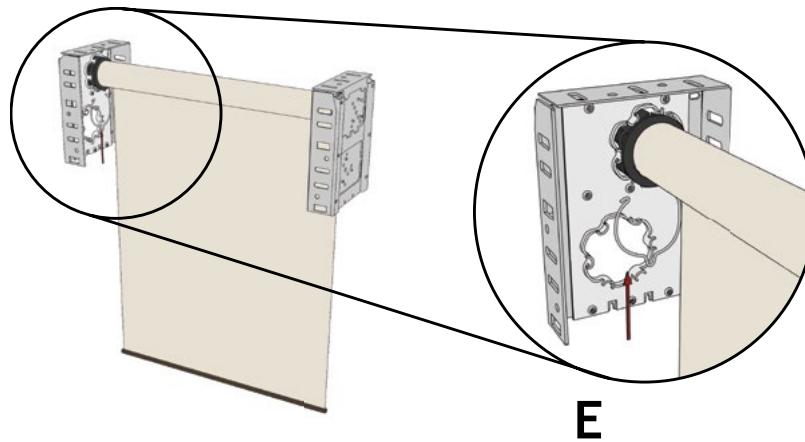
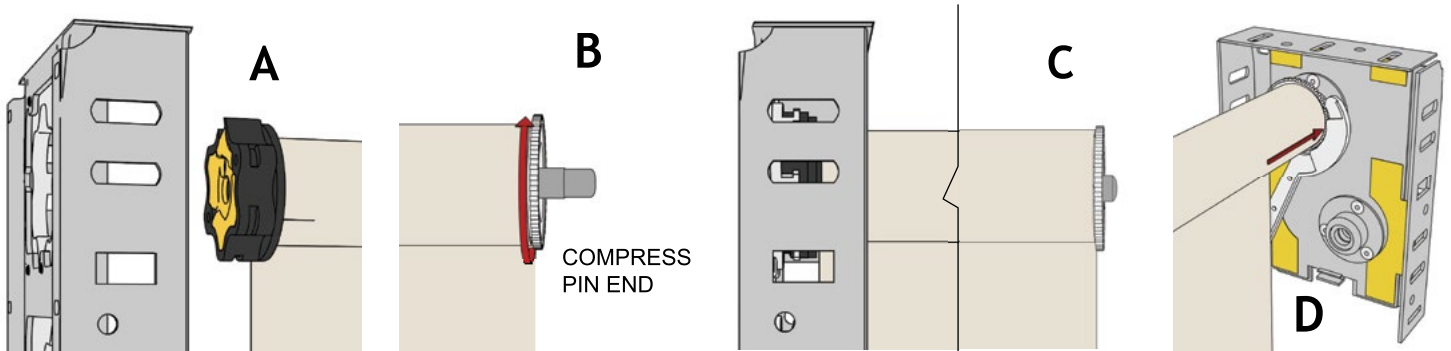


ROTATE USING
ADJUSTMENT
WRENCH TO RELEASE

PLEASE NOTE steps 2-5 are repeated **TWICE**. First complete the steps using the back shade, which will be closest to the glass. After it is installed, complete steps 2-5 again with the front shade.

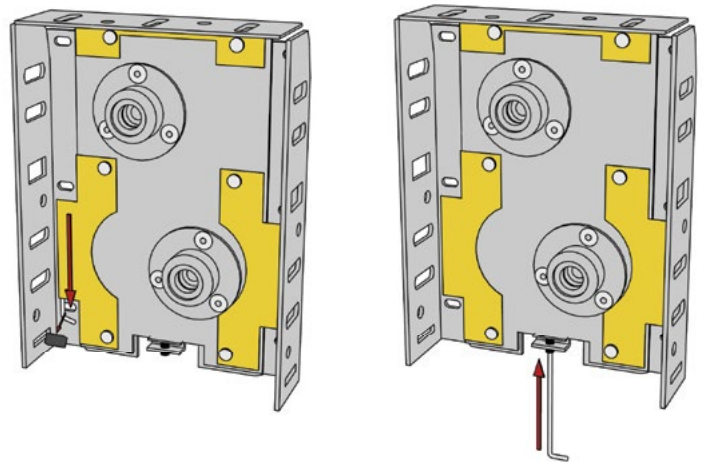
2. Install Shade

Insert the star end of the motor into the bracket (A). Rotate pin end (B) to retract pin (C). Insert pin into bracket and release pin with adjustment wrench (D). Slide the locking ring up through the grooves of the motor bracket and motor (E).



3. Shade Leveling (If Necessary)

Use a level to make sure all shades are level. If the shade is not level after installation, the pin end brackets can be adjusted. Inside each brackets is an Allen wrench. Use Allen wrench to raise or lower the shade to level the tubes. Do not over tighten or loosen the screw. If adjustable bracket does not fix all tracking, refer to step 5.



4. Plug in Motor

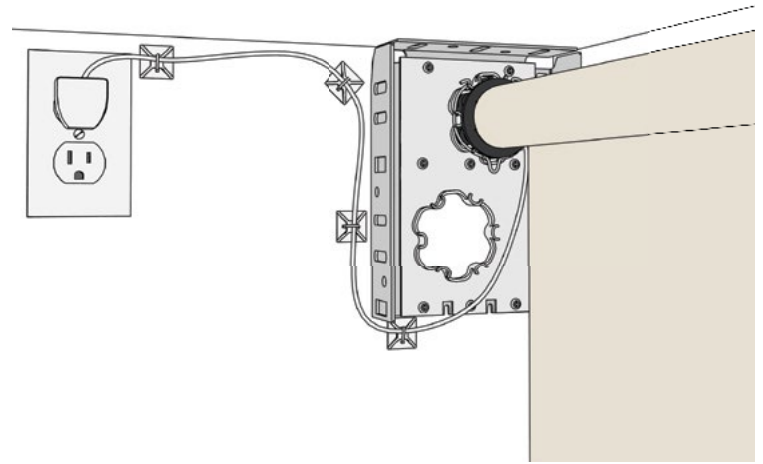
Run motor power cord to nearest power outlet. Install wire tie pads and secure with zip ties to hold wire down. The path of the wire should be parallel with mullions and/or drop ceiling ties ensuring the cable is neatly organized.

Note1: If using same outlet for multiple motors, the plug may need to be rotated by loosening the middle screw of the plug and rotate to desired position. Then, tighten screw.

Note2: If you need to shorten the power cord, loosen cord clamp screws. Loosen face screw and separate units. Do not remove screws. Cut cord to desired length. Prepare cord by removing the outer jacket 1 5/8". Strip bare each conductor 3/8" strands. Connect green (ground) wire under terminal clamp with green screw. Connect white (neutral) wire under terminal clamp with silver screw, and black (hot) wire under terminal with brass screw. Reassemble device by aligning to desired position. Tighten face screw. Tighten cord clamp securely, making sure that cord jacket is being clamped uniformly while securing clamp.

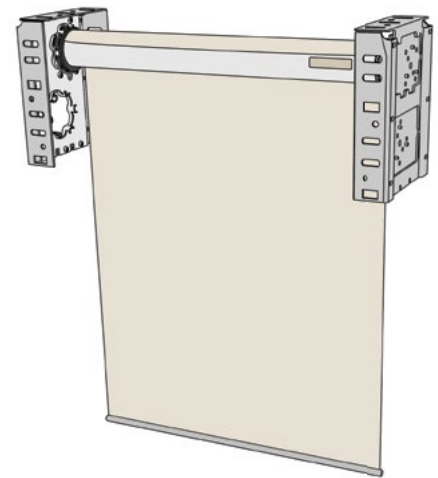
WARNING: Failure to wire as instructed may cause personal injury or damage to device or equipment.

Note: No cord should be cut shorter than 18"



5. Shade Tracking (If Necessary)

Roll shade up and down to confirm hembar or bottom rail is level and material rolls straight on center tube. If the hembar or bottom rail is not level, lower shade until you see the metal tube. Add layers of masking tape to the metal tube to the end that is too low until hembar or bottom rail is straight. If the material tracks to one side, lower shade until the metal tube is visible. Add layers of masking tape to the metal tube to the end that is opposite the direction of tracking, until shade rolls up straight.



6. Repeat Steps 2-5 for Front Shade

7. Install the Fascia

Place the top hanger arm of the fascia into the corner openings of the brackets on the 4 inch side (Fig. 1). Gently push the hooked bottom onto the bracket (Fig. 2) insuring each side is locked.

