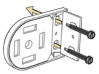
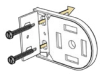

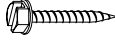

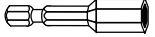

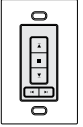

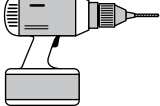


RAS - Installation Instructions Plus+ Shade Open Roll Motorized UL



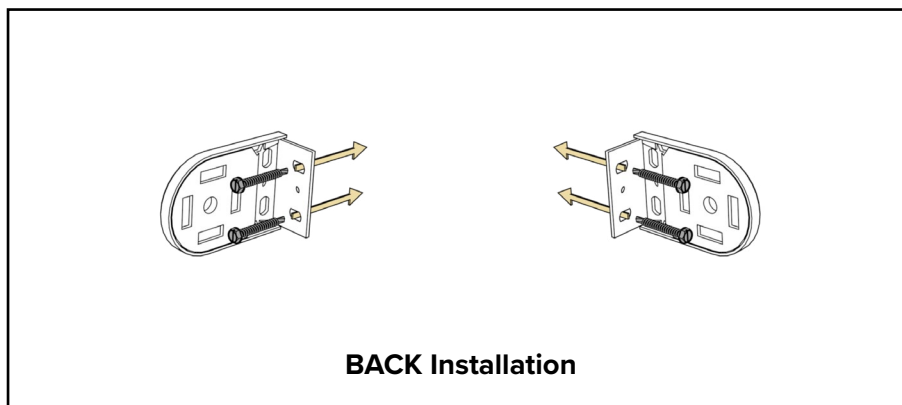
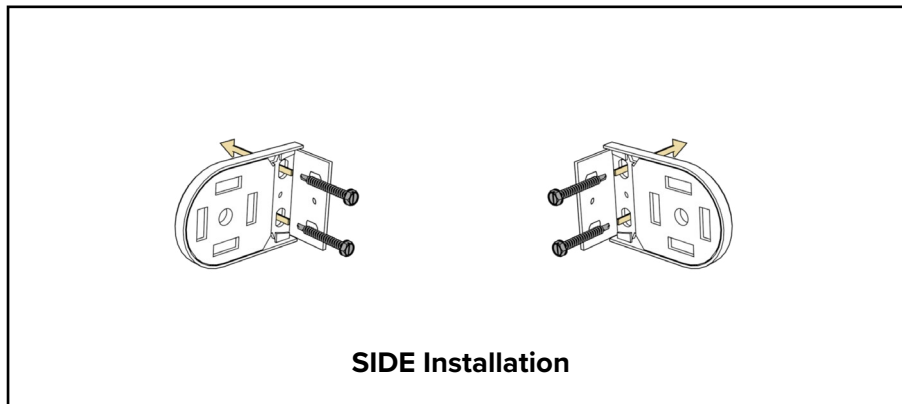
Hardware Included					Tools Required	
						
Motor Bracket	Pin End Termination Bracket	1/4" x 5/8" Self Tapping Screws	1/4" x 1" Wood Screws (If requested)	Drywall Anchors	Phillips Head	
						
	Remote (Optional)	Wall Switch (Optional)	Wire Tie Kit		Drill	

1. Install Bracket

Install motor bracket. Install all single bearing link brackets. Then, install pin end termination bracket. Make sure ALL brackets are level.

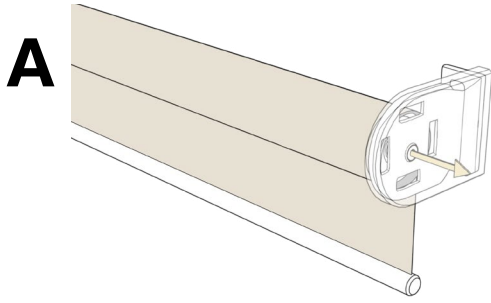
Note: If screws do not secure into stud, use supplied drywall anchors.

Note: Must be at least two screws in every bracket



2. Install the Pin End Shade/Final Shade

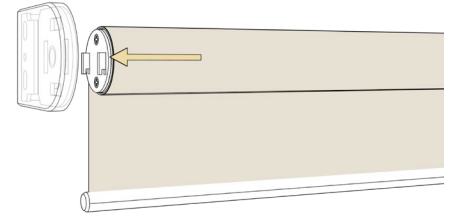
Depress pin end (A) and slide onto bracket until pin engages in center hole.



3. Install the Motor Shade

(B) Insert the hooks into slots motor bracket

B

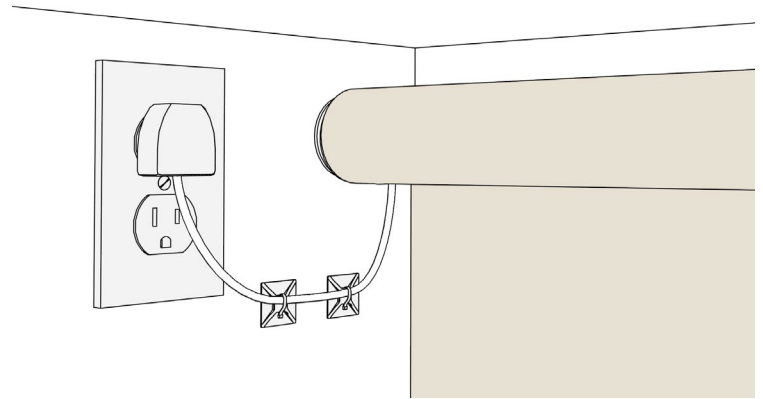


4. Plug in Motor

Run motor power cord to nearest power outlet. Install wire tie pads and secure with zip ties to hold wire down. The path of the wire should be parallel with mullions and/or drop ceiling tiles ensuring the cable is neatly organized.

- To reduce the risk of electric shock, this equipment has a grounding type plug, that has a third (grounding) pin.
- This plug will only fit into a grounding type outlet. If the plug does not fit into the outlet, contact a qualified electrician to install the proper outlet.
- Do not change the plug in any way.
- Do not use an extension cord. If the power supply is too short, have a licensed electrician install an outlet near the drapery operator.

WARNING: Failure to wire as instructed may cause personal injury or damage to device or equipment.



5. Shade Tracking (If Necessary)

Roll shade up and down to confirm hembar or bottom rail is level and material rolls straight on center tube. If the hembar or bottom rail is not level, lower shade until you see the metal tube. Add layers of masking tape to the metal tube to the end that is too low until hembar or bottom rail is straight. If the material tracks to one side, lower shade until the metal tube is visible. Add layers of masking tape to the metal tube to the end that is opposite the direction of tracking, until shade rolls up straight.

