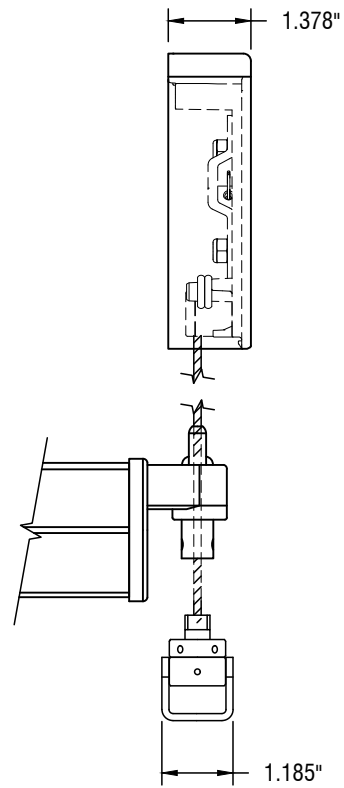
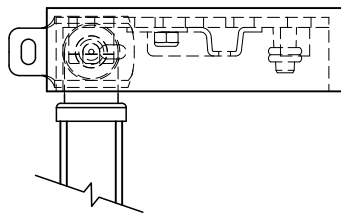


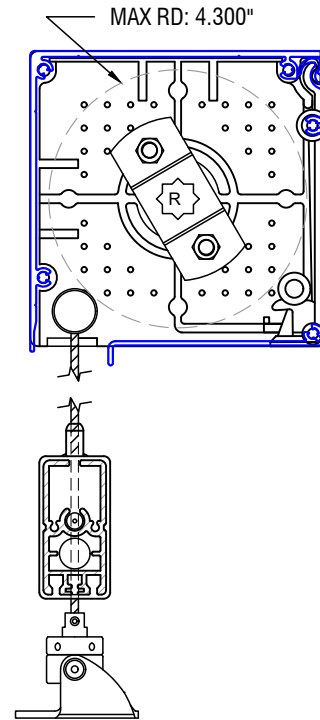
**IDLER PROFILE**



**FRONT PROFILE**



**TOP PROFILE**



**MOTOR PROFILE**



12101 MADERA WAY  
RIVERSIDE, CA 92503  
P: 951-245-5077  
F: 951-245-5075  
WWW.ROLLASHADE.COM

© COPYRIGHT 2016 ROLL-A-SHADE, INC. ALL RIGHTS RESERVED. THIS DRAWING IS THE PROPERTY OF ROLL-A-SHADE, INC. THE GRAPHICS, INFORMATION AND SPECIFIC IDEAS IN THIS DOCUMENT ARE THE EXCLUSIVE PROPERTY OF ROLL-A-SHADE, INC. AND MUST NOT BE MADE PUBLIC, COPIED OR SOLD. OTHERS SEEKING PERMISSION TO REPRODUCE THIS DOCUMENT, IN WHOLE OR IN PART, MUST OBTAIN PERMISSION FROM ROLL-A-SHADE, INC. IN WRITING.

DATE: 11/19/2021  
SHEET SIZE: 8.5" X 11"  
SCALE: 5/16"=1"  
DRAWN BY: SULPISIO MEDRANO

SYSTEM: CABLE GUIDE SHADE  
TITLE: CABLE GUIDE W/HEAD BOX  
NO: RAS-CGH