
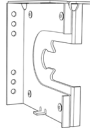
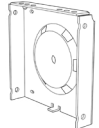

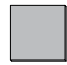





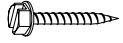


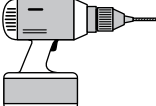


RAS - Installation Instructions Plus+ Shade 4" Bottom Fascia Manual Linked

Hardware Included						Tools Supplied	Tools Required
							
Clutch Bracket	Single Bearing Link Bracket(s)	Pin End Termination Bracket	Fascia	Bracket Cover (Optional)	Bearing & Locking Clip		Phillips Head
							
Self Tapping Phillips Screws for Tension Device	1/4" x 5/8" Self Tapping Screws	1/4" x 1" Wood Screws (If requested)	Drywall Anchors	Metal Stop Ball	Adjustment Wrench		Drill

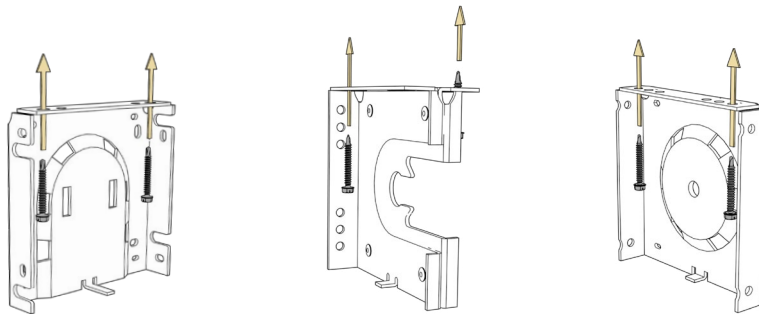
1. Install Bracket

Install clutch bracket. Install all single bearing link brackets. Then, install pin end termination bracket. Make sure ALL brackets are level.

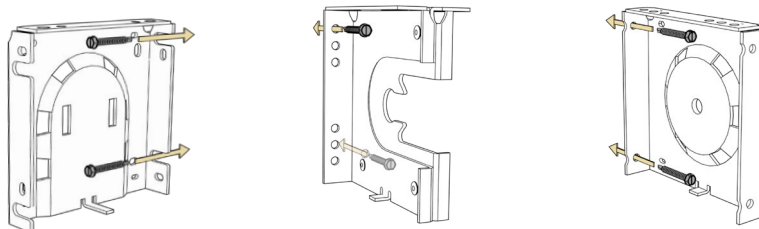
Note: Brackets may not be rotated for side mount

Note: If screws do not secure into stud, use supplied drywall anchors.

Note: Must be at least two screws in every bracket



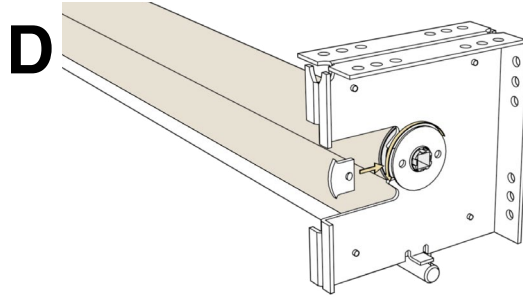
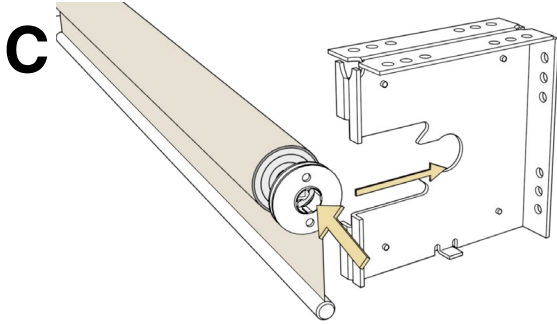
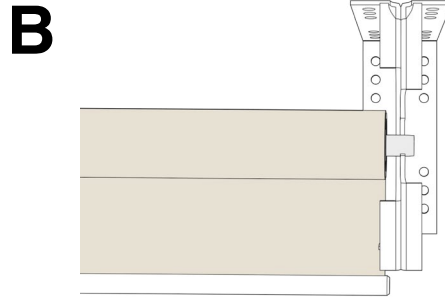
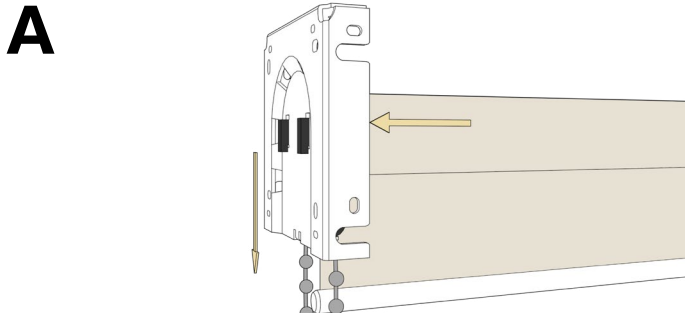
TOP Installation



BACK Installation

2. Install the Clutch Shade

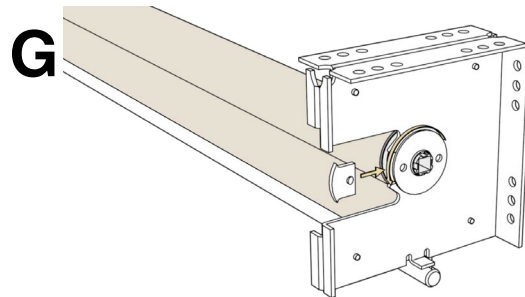
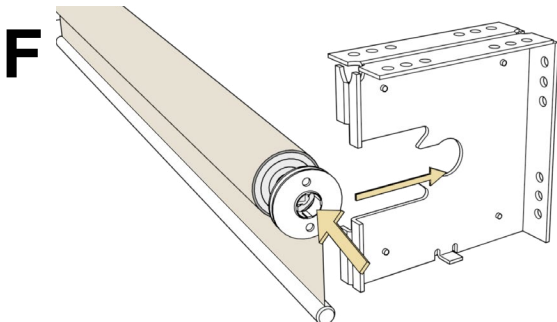
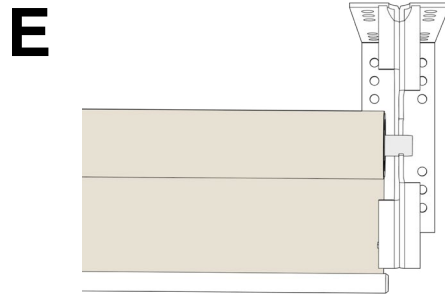
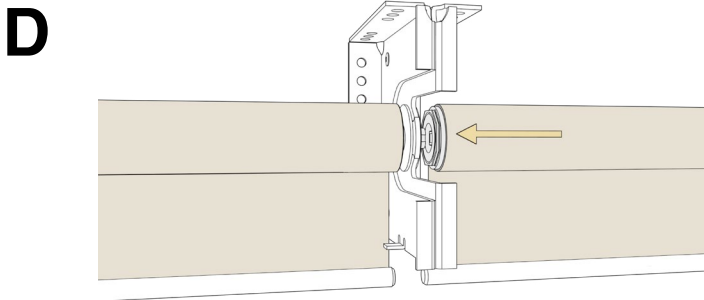
(A) Insert the tongues on clutch into holes on the manual bracket and (B) rest link pin onto the "C" of link bracket. (C) Go to link end of manual shade, and with holes facing away from the clutch, slide bearing onto end of link pin (rotating slightly if needed). Make sure holes are vertical as picture shows and slide onto bracket. (D) Once firmly into bracket, rotate holes 90 degrees so holes are as picture, insert locking clip into bearing until it clicks (Note: Bearing clip cannot not be removed once engaged)



Skip step #3 if there is only one linked shade

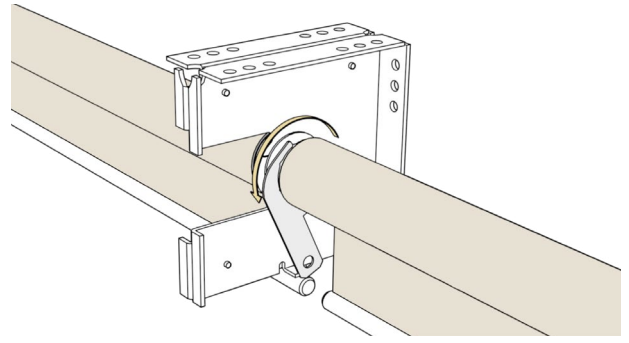
3. Linking 3 or more Shades

(D) Take slave blind with adjuster, and place adjuster over shaft rotating slightly if needed to secure on shaft. (E) Rest link pin onto "C" of Link bracket (F) Go to link end of shade and with holes facing away from manual bracket, slide bearing on end of link (rotating slightly if needed). Make sure holes are vertical as picture shows and slide onto bracket. (G) Once firmly into bracket rotate holes 90 degrees so holes are as picture, insert locking clip into bearing until it clicks (Note: Bearing clip cannot not be removed once engaged).



4. Adjusting Levels of Shades

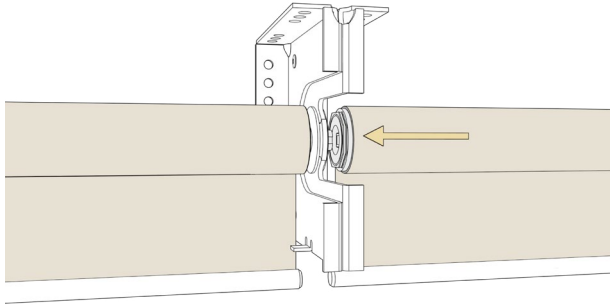
Once link shade secured, use wheel on infinite adjuster to adjust the level of the bottom of shade of slave shade(s) until it becomes level with clutch shade. The leveling can be performed in both Up and Down direction. A spanner is available if space is too tight to get fingers around the adjusting wheel.



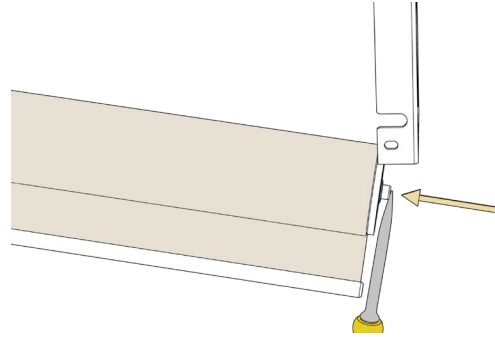
5. Install the Pin End Shade/Final Shade

(H) From pin end of shade take slave blind with adjuster, and place adjuster over shaft rotating slightly if needed to secure on shaft (I) Depress pin end (J) and slide onto bracket until pin engages in center hole.

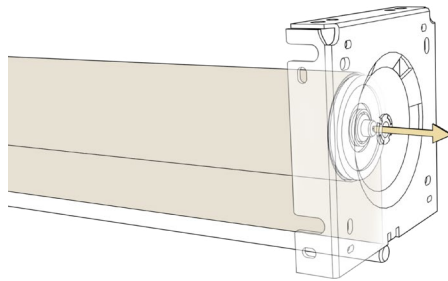
H



I

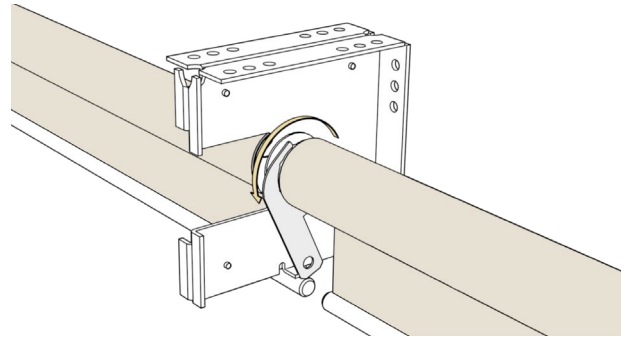


J



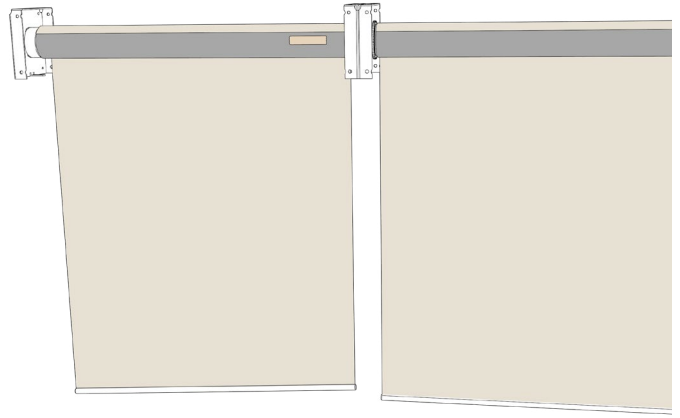
6. Adjusting Levels of Shades

Once link shade secured, use wheel on infinite adjuster to adjust the level of the bottom of shade of slave shade(s) until it becomes level with Clutch shade. The leveling can be performed in both Up and Down direction. A spanner is available if space is too tight to get fingers around the adjusting wheel.



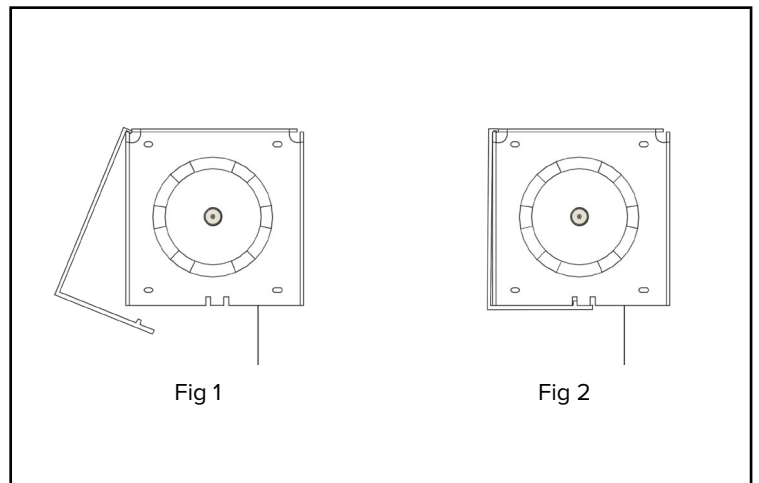
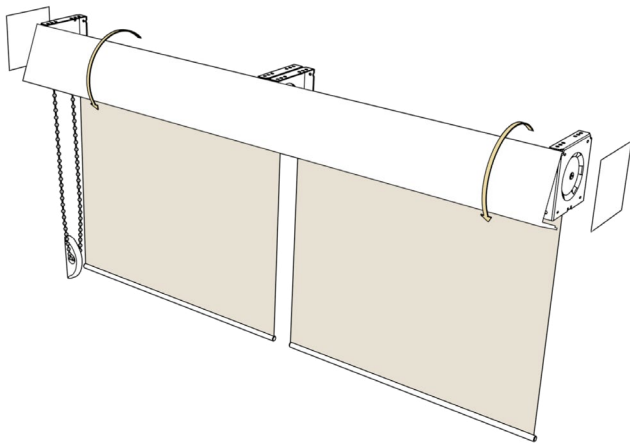
7. Shade Tracking (If Necessary)

Roll shade up and down to confirm hembar or bottom rail is level and material rolls straight on center tube. If the hembar or bottom rail is not level, lower shade until you see the metal tube. Add layers of masking tape to the metal tube to the end that is too low until hembar or bottom rail is straight. If the material tracks to one side, lower shade until the metal tube is visible. Add layers of masking tape to the metal tube to the end that is opposite the direction of tracking, until shade rolls up straight.



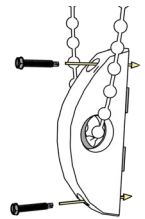
8. Install the Fascia

Place the top hanger arm of the fascia into the corner openings of the brackets on the 4 inch side (Fig. 1). Gently push the hooked bottom onto the bracket (Fig. 2) insuring each side is locked.

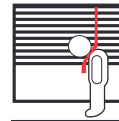


9. Install Chain Anchor

The chain anchor is a plastic piece that is attached to the chain to secure it from possible accidents. Position the chain anchor on the window frame so that the chain anchor and chain do not interfere with raising or lowering the shade. The chain anchor should be installed without stretching or pulling down the chain. Leave a little play through the chain anchor to allow the chain to pass freely. Do not twist or cross the bead chain. Secure the anchor with Phillips screws in both upper and lower holes.



Warning: Failure to use this device may cause injury or death



Window Blind Cord Can STRANGLE Your Child

- Children can climb furniture to reach cords
- Move cribs and other furniture away.
- Keep all cords out of children's reach.
- Attach tension device to wall or floor.
- Fasteners provided with the tension device may not be appropriate for all mounting surfaces.
- Use appropriate anchors for the mounting surface conditions.