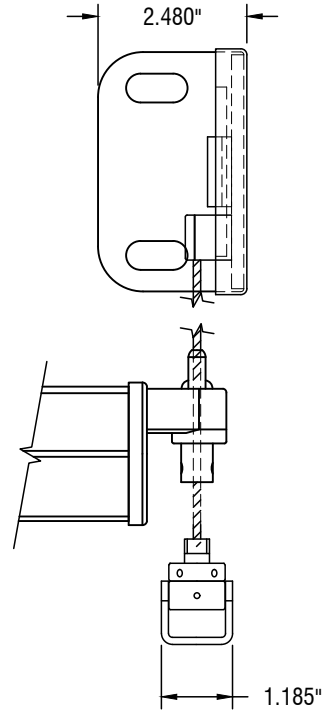
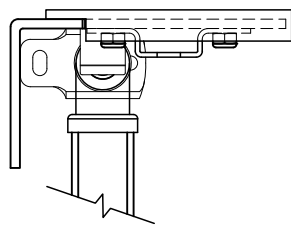


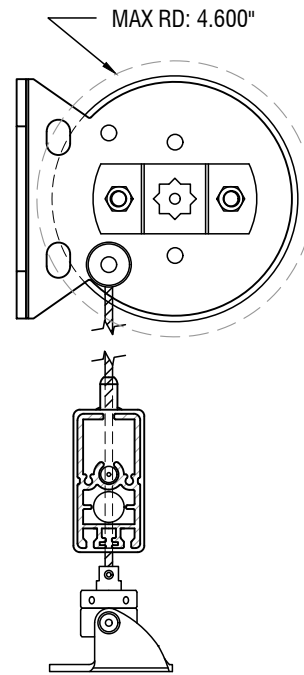
**IDLER PROFILE**



**FRONT PROFILE**



**TOP PROFILE**



**MOTOR PROFILE**



12101 MADERA WAY  
 RIVERSIDE, CA 92503  
 P: 951-245-5077  
 F: 951-245-5075  
[WWW.ROLLASHADE.COM](http://WWW.ROLLASHADE.COM)

© COPYRIGHT 2016 ROLL-A-SHADE, INC. ALL RIGHTS RESERVED. THIS DRAWING IS THE PROPERTY OF ROLL-A-SHADE, INC. THE GRAPHICS, INFORMATION AND SPECIFIC IDEAS IN THIS DOCUMENT ARE THE EXCLUSIVE PROPERTY OF ROLL-A-SHADE, INC. AND MUST NOT BE MADE PUBLIC, COPIED OR SOLD. OTHERS SEEKING PERMISSION TO REPRODUCE THIS DOCUMENT, IN WHOLE OR IN PART, MUST OBTAIN PERMISSION FROM ROLL-A-SHADE, INC. IN WRITING.

DATE:	11/19/2021
SHEET SIZE:	8.5" X 11"
SCALE:	5/16"=1"
DRAWN BY:	SULPISIO MEDRANO

SYSTEM:	CABLE GUIDE SHADE
TITLE:	CABLE GUIDE OPEN ROLL
NO.:	RAS-CG