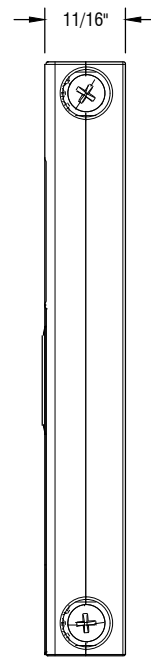
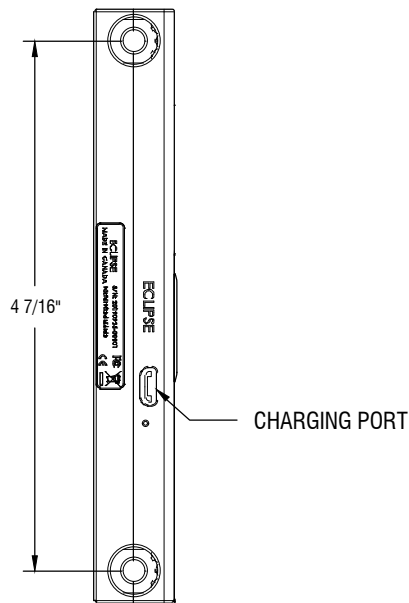


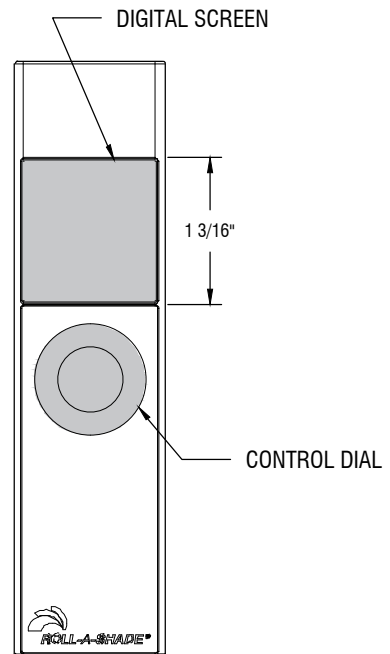
**BACK VIEW**



**RIGHT SIDE VIEW**



**LEFT SIDE VIEW**



**FRONT VIEW**

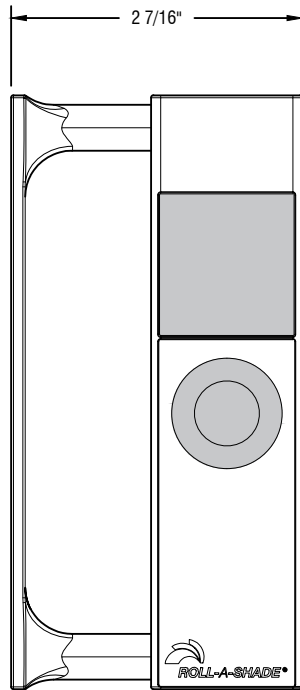


7240 WOODBINE AVE. SUITE 215  
 MARKHAM, ON. L3R 1A4  
 (TF) 1-888-245-5077  
 (P) 1-416-639-1365  
 (F) 1-416-639-1366  
 WWW.ROLLASHADE.CA

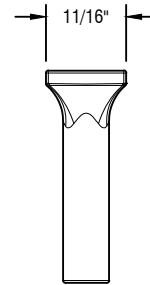
© COPYRIGHT 2016 ROLL-A-SHADE, INC. ALL RIGHTS RESERVED. THIS DRAWING IS THE PROPERTY OF ROLL-A-SHADE, INC. THE GRAPHICS, INFORMATION AND SPECIFIC IDEAS IN THIS DOCUMENT ARE THE EXCLUSIVE PROPERTY OF ROLL-A-SHADE, INC. AND MUST NOT BE MADE PUBLIC, COPIED OR SOLD. OTHERS SEEKING PERMISSION TO REPRODUCE THIS DOCUMENT, IN WHOLE OR IN PART, MUST OBTAIN PERMISSION FROM ROLL-A-SHADE, INC. IN WRITING.

DATE: 05/12/2020  
 SHEET SIZE: 8.5" X 11"  
 SCALE: 5/8" = 1"  
 DRAWN BY: SULPISIO MEDRANO

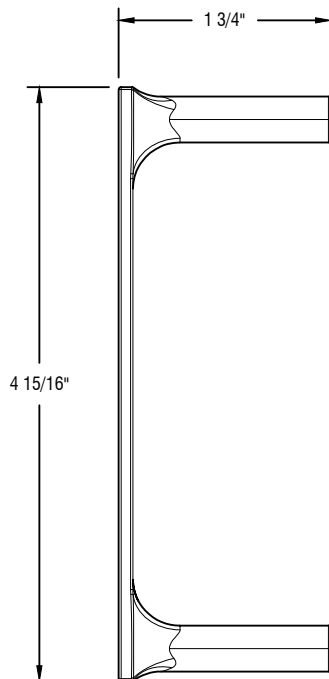
TITLE: ECLIPSE SUN SENSOR  
 NO.: RAS-ESS



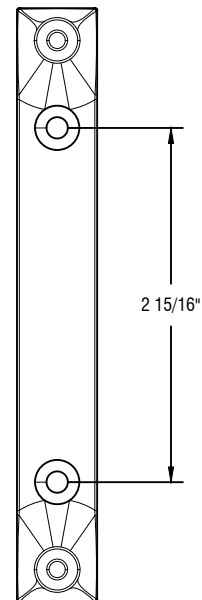
**BRACKET & SENSOR ASSEMBLED**



**TOP VIEW**



**SIDE VIEW**



**FRONT VIEW**



7240 WOODBINE AVE. SUITE 215  
 MARKHAM, ON. L3R 1A4  
 (TF) 1-888-245-5077  
 (P) 1-416-639-1365  
 (F) 1-416-639-1366  
 WWW.ROLLASHADE.CA

© COPYRIGHT 2016 ROLL-A-SHADE, INC. ALL RIGHTS RESERVED. THIS DRAWING IS THE PROPERTY OF ROLL-A-SHADE, INC. THE GRAPHICS, INFORMATION AND SPECIFIC IDEAS IN THIS DOCUMENT ARE THE EXCLUSIVE PROPERTY OF ROLL-A-SHADE, INC. AND MUST NOT BE MADE PUBLIC, COPIED OR SOLD. OTHERS SEEKING PERMISSION TO REPRODUCE THIS DOCUMENT, IN WHOLE OR IN PART, MUST OBTAIN PERMISSION FROM ROLL-A-SHADE, INC. IN WRITING.

DATE:	05/12/2020
SHEET SIZE:	8.5" X 11"
SCALE:	5/8" = 1"
DRAWN BY:	SULPISIO MEDRANO

TITLE:	ECLIPSE SUN SENSOR MOUNTING BRACKET
NO.:	RAS-ESSMB