
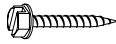



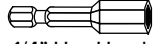
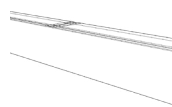



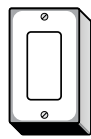

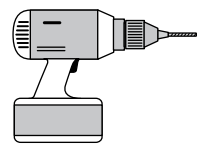


RAS - Installation Instructions Contract+ Shade 4" Cassette Motorized UL 

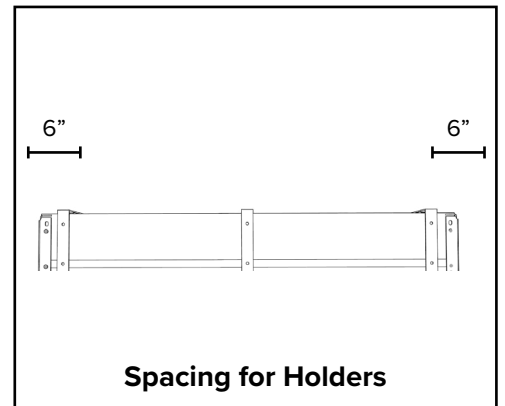
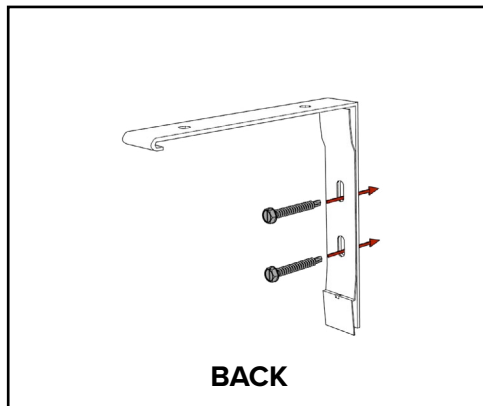
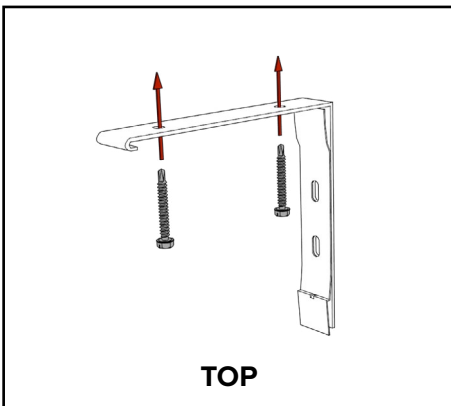
Hardware Included					Tools Required
					
Assembled Cassette with Shade	1/4" x 1" Wood Screws (If requested)	1/4" x 5/8" Self Tapping Screws	Drywall Anchors	Wire Tie Kit	1/4" Hex Head
					
Cassette Holder	Remote (Optional)	Repeater (Optional)	Wall Switch (Optional)	Wall Switch (Optional)	Phillips Head
					
					Drill

1. Install Cassette Holders

Install one cassette holders at each end and the rest spaced evenly across the shade. The edge holder should be as close to the edge as possible and no more than 6" from the edge. Then, install double bearing pin end bracket. Make sure **ALL** holders are level.

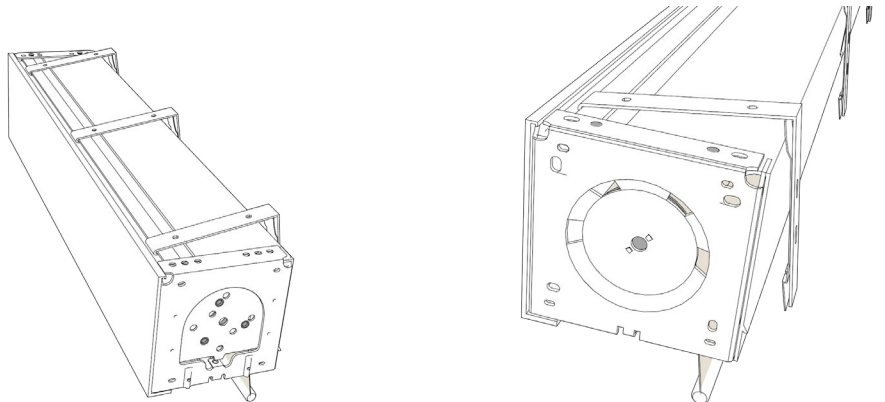
Note: If screws do not secure into stud, use supplied drywall anchors.
Note: Must be at least two screws in every bracket

< 90" = 3 holders
> 90" = 4 holders



2. Install Cassette

Take assembled cassette and line up the top groove with the top hook. Then push the cassette in until you hear a click.



3. Plug in Motor

Run motor power cord to nearest power outlet. Install wire tie pads and secure with zip ties to hold wire down. The path of the wire should be parallel with mullions and/or drop ceiling tiles ensuring the cable is neatly organized.

- To reduce the risk of electric shock, this equipment has a grounding type plug, that has a third (grounding) pin.
- This plug will only fit into a grounding type outlet. If the plug does not fit into the outlet, contact a qualified electrician to install the proper outlet.
- Do not change the plug in any way.
- Do not use an extension cord. If the power supply is too short, have a licensed electrician install an outlet near the drapery operator.

WARNING: Failure to wire as instructed may cause personal injury or damage to device or equipment.

