



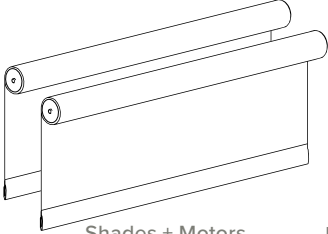
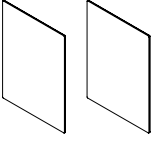

PLUS+ SHADE 5.5" SLIM DUAL BOTTOM & TOP FASCIA MOTORIZED INSTALLATION INSTRUCTIONS

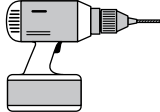
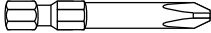
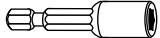

rasshades.com
info@rollashade.com
954.974.0525

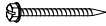



RASWS-INS-PLS5.5S-004 © Copyright RAS Wholesale, All Rights Reserved.

RAS
WHOLESALE

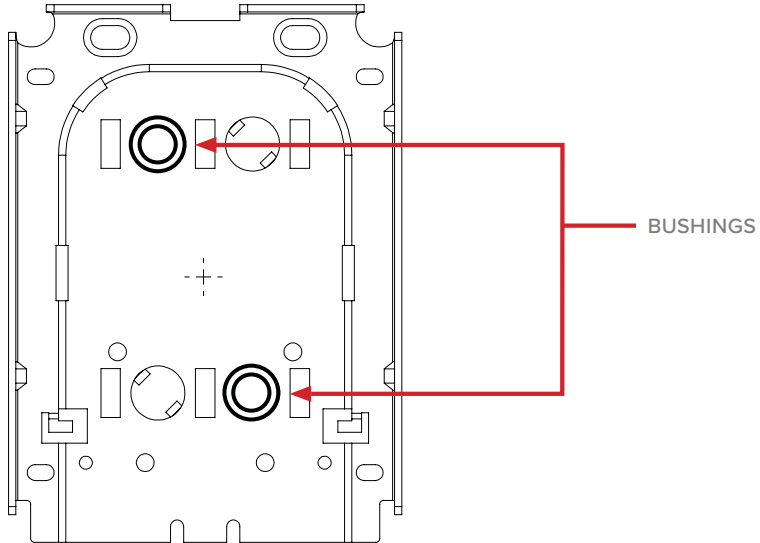
EQUIPMENT LIST

HARDWARE INCLUDED				
				
Right Control Motor Bracket	Left Idle End Bracket	Shades + Motors	Bracket Covers (Optional)	Fascia

TOOLS	
LABEL	IMAGE OF TOOL
Drill	
Phillips Head & 6" Extension	
Hex Head Driver	
1/16" Drill Bit	

SCREWS		
LABEL	IMAGE OF SCREW	DRILL BIT TO USE
#8 X 1.5" Hex Head Wood Screw		1/16" Drill Bit
#8-18 x 1-1/2" Pan Phillips Tension Device Self Tap		N/A
#8-18 x 3/4" PH Pan HD Screw Tension Device Self Tap		N/A
#8-18 x 5/8" Hex Tek #2 Bit		N/A

BUSHINGS FOR **DUAL** SHADE INSTRUCTIONS

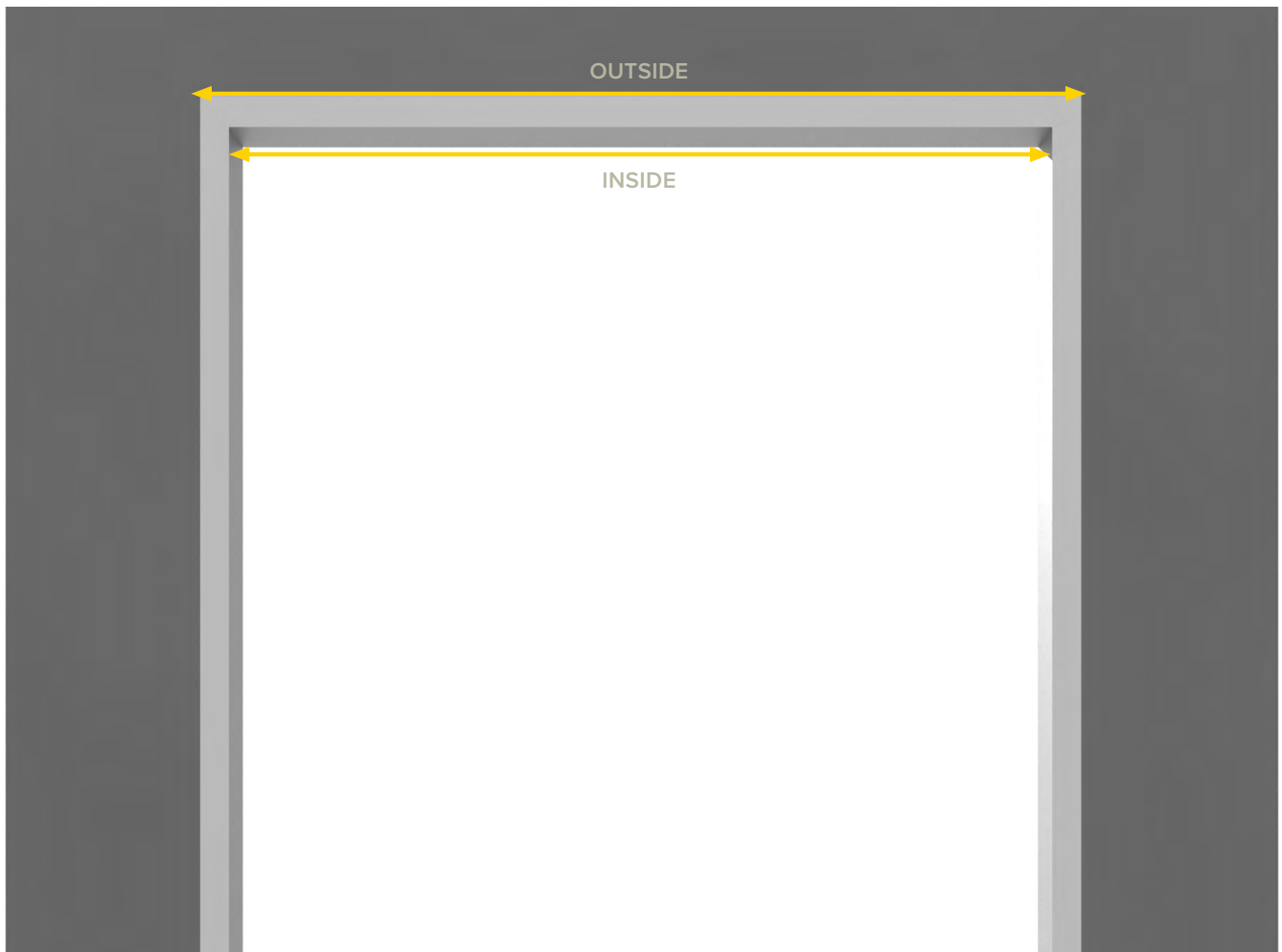


- 2 bushings included per set
- Bushings are to secure idler pin end
- Bushings can be removed and relocated if needed

1 INSIDE OR OUTSIDE APPLICATION

NOTE: ALL SHADES MAY BE PRE-PROGRAMMED TO SENSORS, REMOTES, AND/OR WALL SWITCHES UPON ARRIVAL

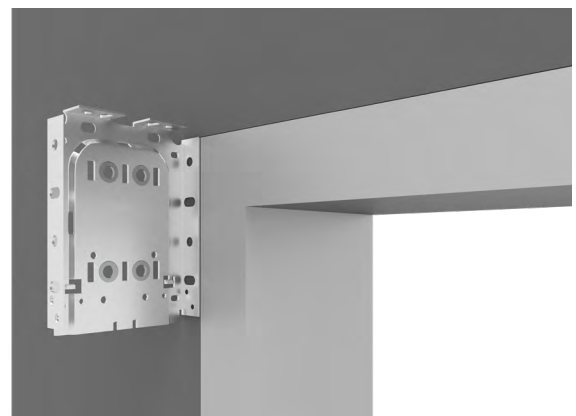
NOTE: RIGHT CONTROL INSTALLATION



A INSIDE MOUNT

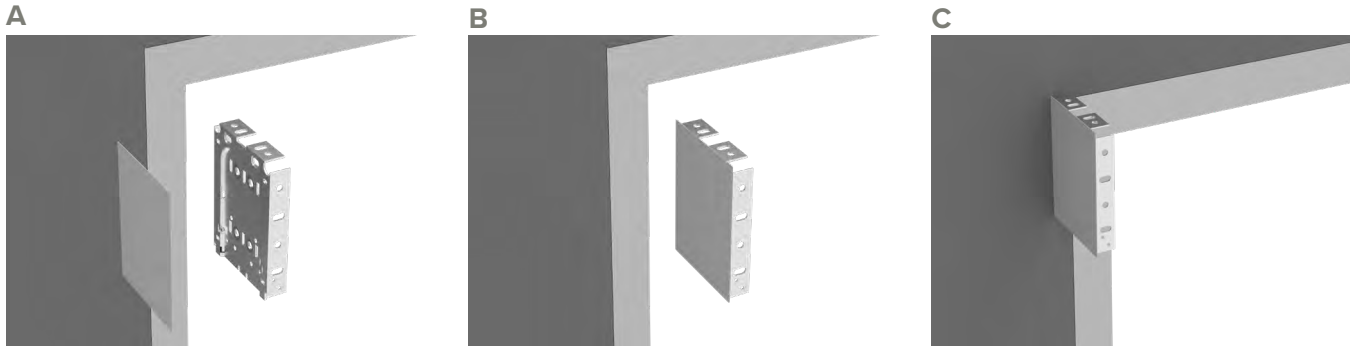


B OUTSIDE MOUNT



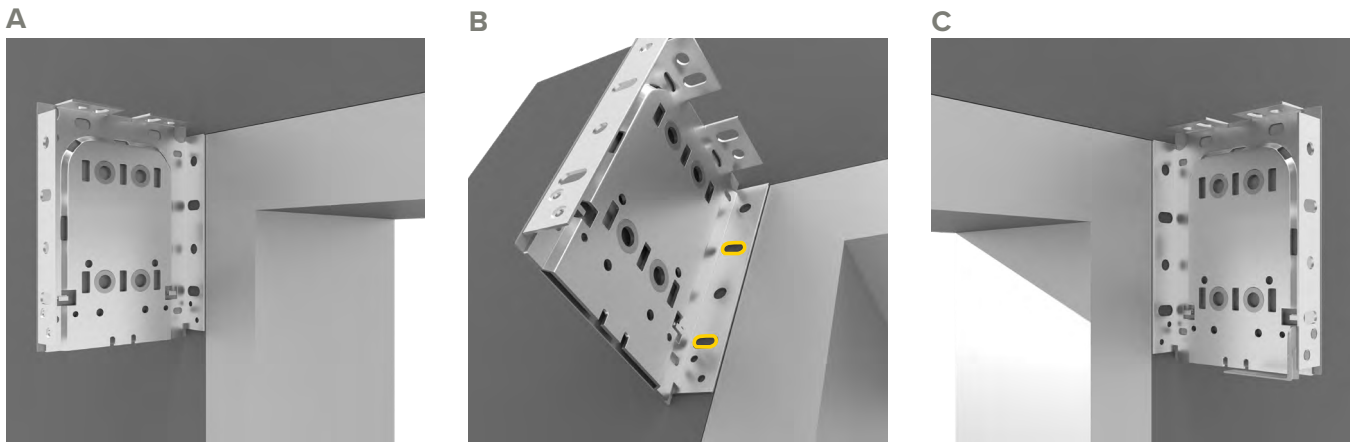
2 BRACKET COVERS INSTALLATION (OPTIONAL)

Install bracket covers before drilling in brackets.



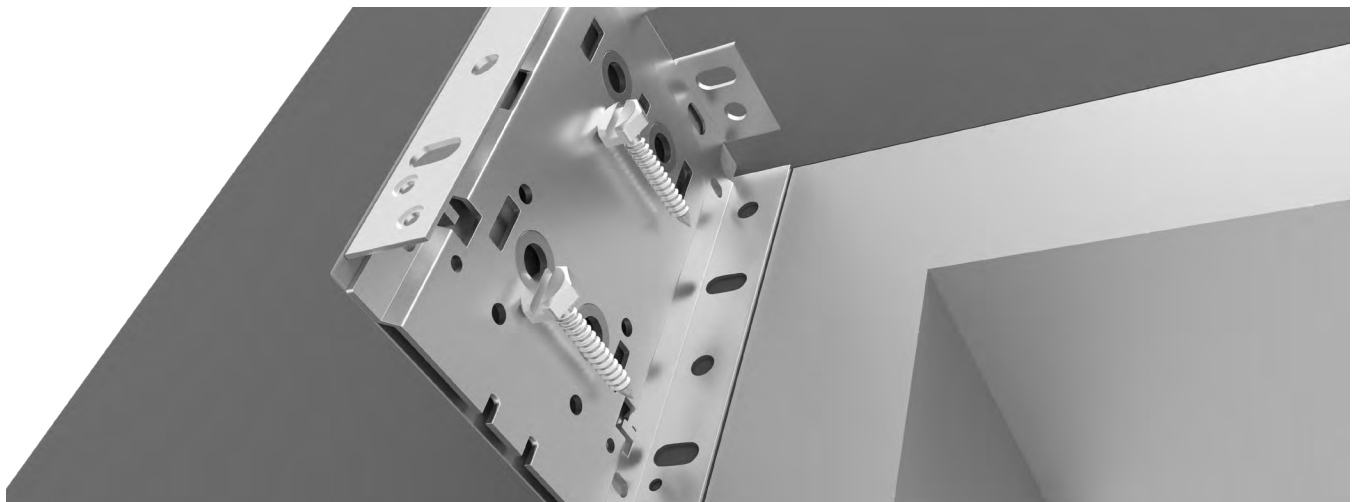
3 MOUNTING LOCATION

Place your first bracket in its mounting location and mark the screw holes. As seen in image 3B and repeat for other bracket.



4 SCREW INSTALLATION

Confirm holes are leveled on both sides. Install the brackets with the provided screws using the hex head driver.



5 ALIGNMENT

Check to make sure your brackets are level and aligned.



6 TOP SHADE PIN END INSTALLATION

Depress pin end and slide onto bracket until pin engages in center hole. Press idler shaft all the way to the bracket.

A



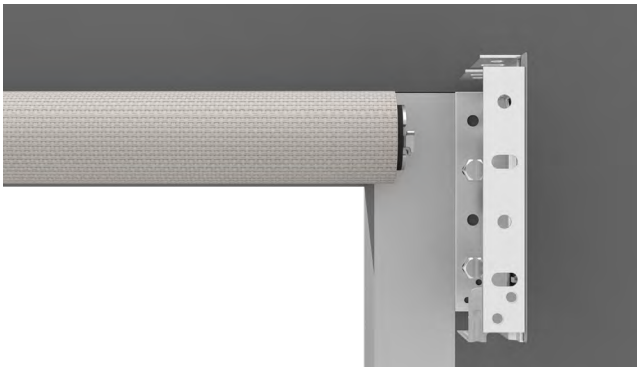
B



7 TOP MOTOR END INSTALLATION

Lineup to motor bracket. Push motor into motor bracket.

A



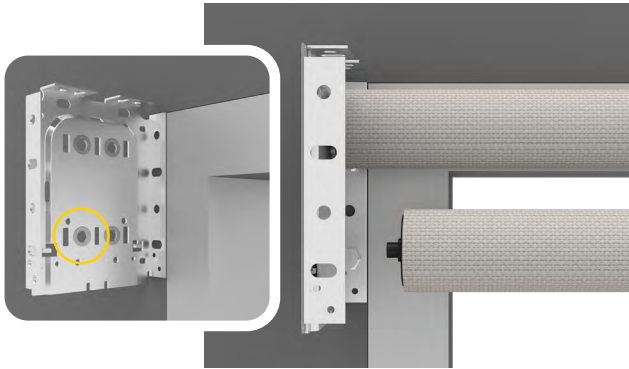
B



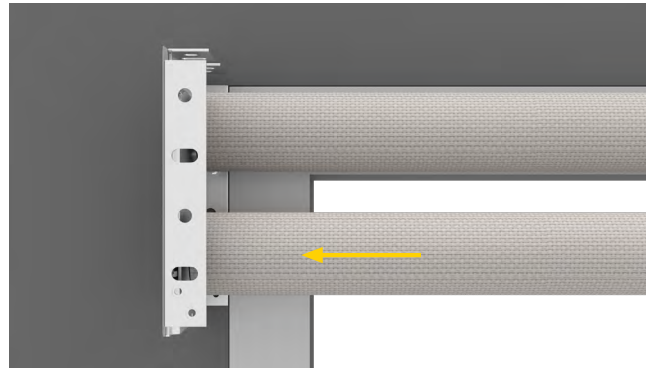
8 BOTTOM SHADE PIN END INSTALLATION

Depress pin end and slide onto bracket until pin engages in center hole. Press idler shaft all the way to the bracket.

A



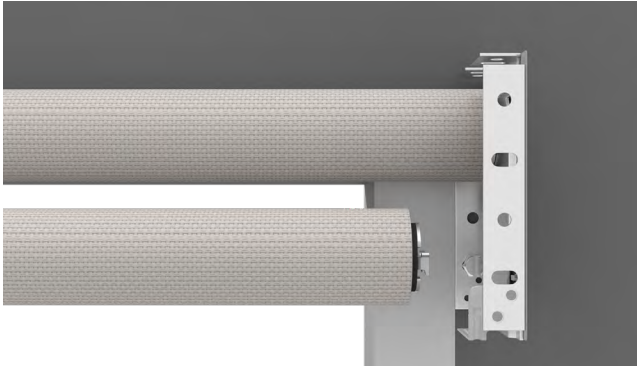
B



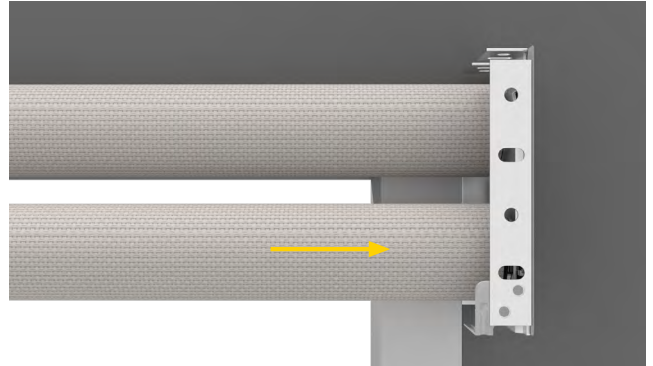
9 BOTTOM MOTOR END INSTALLATION

Lineup to motor bracket. Push motor into motor bracket.

A



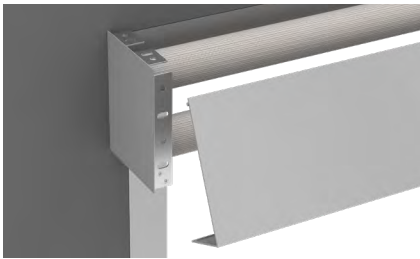
B



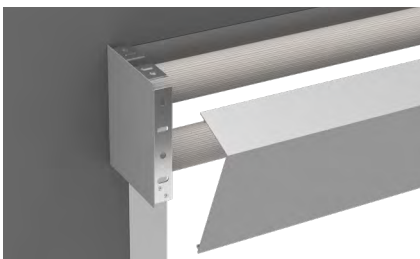
10 FASCIA INSTALLATION

Install bottom or top fascia.

A BOTTOM FASCIA



B TOP FASCIA

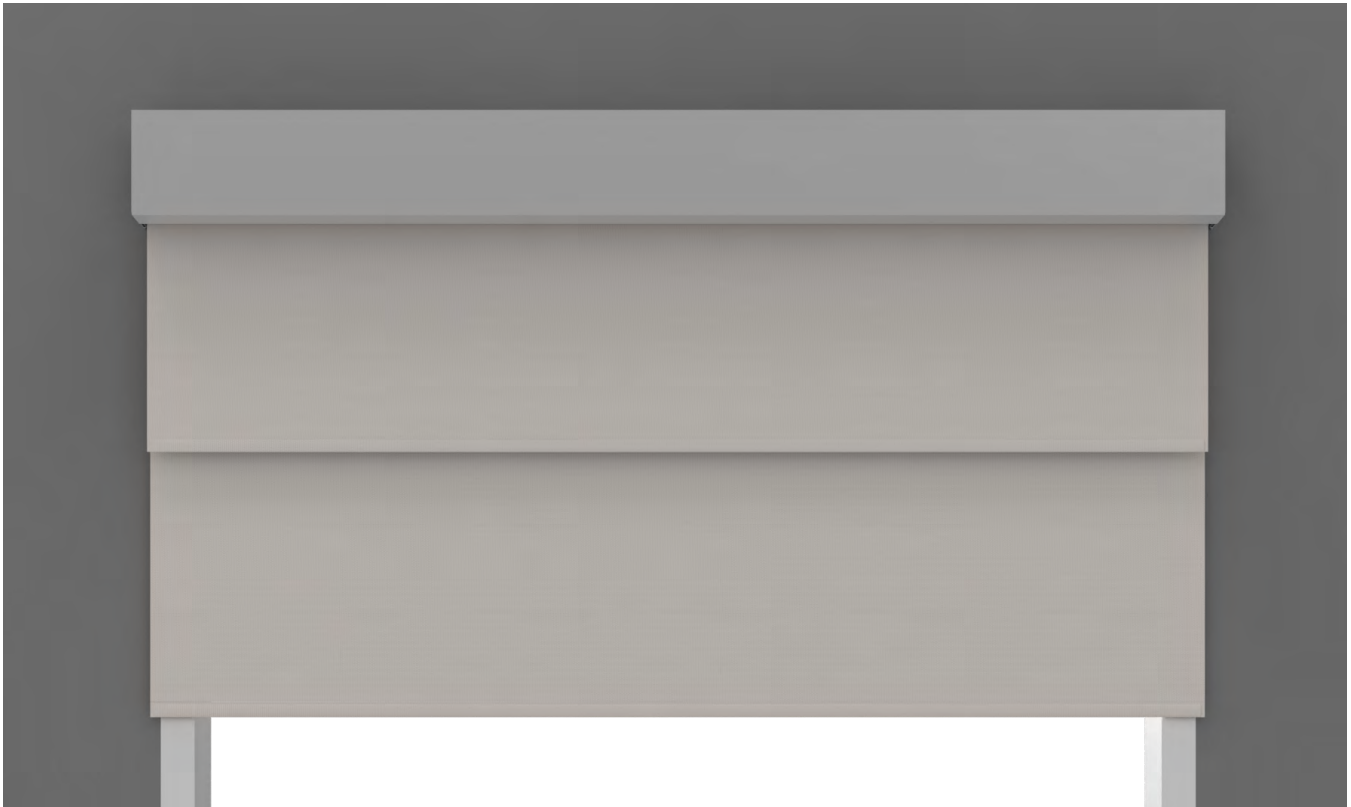


11 PLUG IN MOTOR

- Run motor power cord to nearest power outlet.
- Install wire tie pads and secure with zip ties to hold wire down.
- The path of the wire should be parallel with mullions and/or drop ceiling tiles ensuring the cable is neatly organized.
- Any modifications to the power cable should be done by a certified electrician to meet your city/state code requirements.

12 SHADE ADJUSTING (IF NECESSARY)

- Roll shade up and down to confirm hembar is level and material rolls up straight on center tube.
- If the hembar is not level, lower shade until you see the metal tube.
- Add layers of masking tape to the metal tube to the end that is too low until hembar is straight.
- If the material tracks to one side, lower shade until you see the metal tube.
- Add layers of masking tape to the metal tube to the end that is opposite the direction of tracking, until shade rolls up straight.



13 ADJUSTING LIMITS (IF NECESSARY)

See programming instructions based on the motor used for your application.