



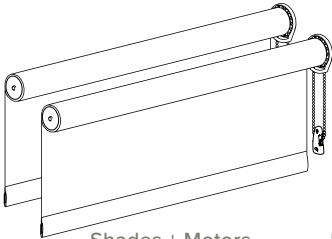
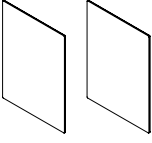

PLUS+ SHADE 5.5" SLIM DUAL BOTTOM & TOP FASCIA MANUAL INSTALLATION INSTRUCTIONS

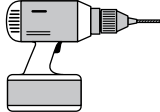
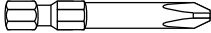
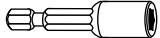

rasshades.com
info@rollashade.com
954.974.0525

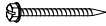



RASWS-INS-PLS5.5S-003 © Copyright RAS Wholesale, All Rights Reserved.



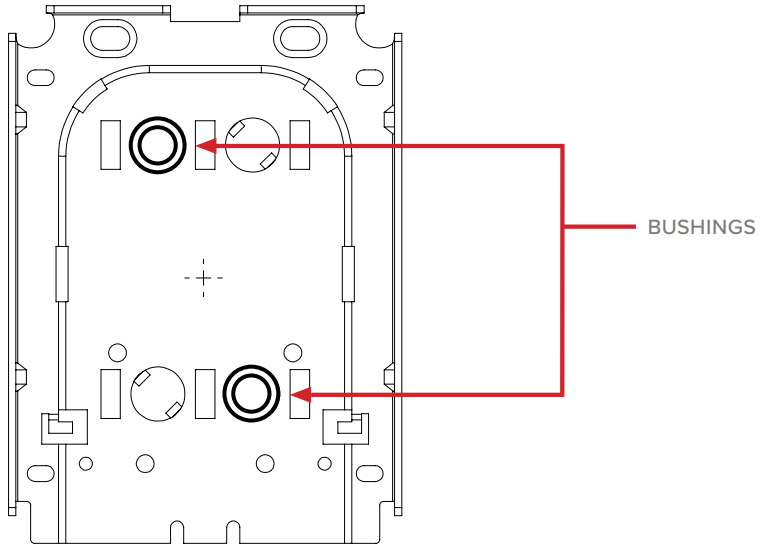
EQUIPMENT LIST

HARDWARE INCLUDED				
				
Left Idle End Bracket	Right Control Motor Bracket	Shades + Motors	Bracket Covers (Optional)	Fascia

TOOLS	
LABEL	IMAGE OF TOOL
Drill	
Phillips Head & 6" Extension	
Hex Head Driver	
1/16" Drill Bit	

SCREWS		
LABEL	IMAGE OF SCREW	DRILL BIT TO USE
#8 X 1.5" Hex Head Wood Screw		1/16" Drill Bit
#8-18 x 1-1/2" Pan Phillips Tension Device Self Tap		N/A
#8-18 x 3/4" PH Pan HD Screw Tension Device Self Tap		N/A
#8-18 x 5/8" Hex Tek #2 Bit		N/A

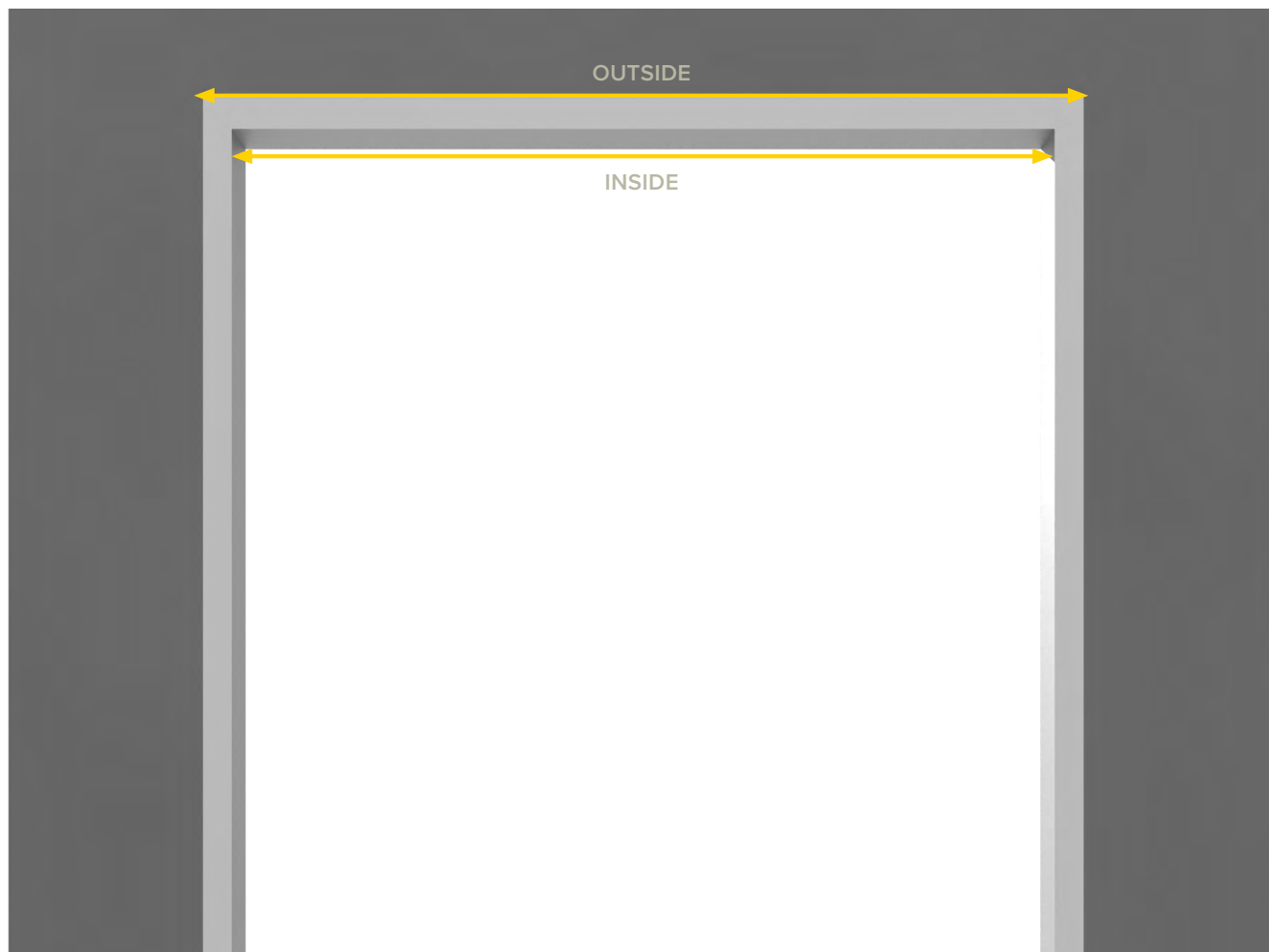
BUSHINGS FOR **DUAL** SHADE INSTRUCTIONS



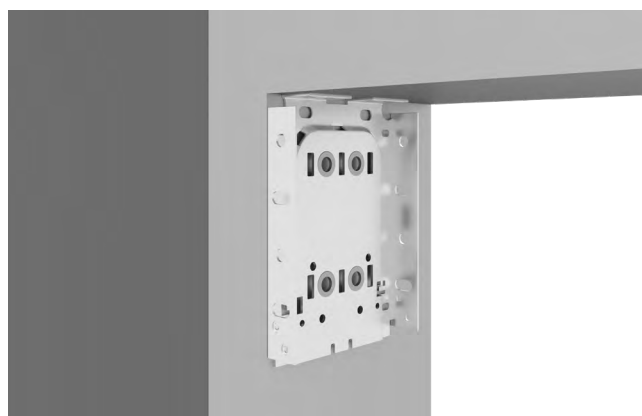
- 2 bushings included per set
- Bushings are to secure idler pin end
- Bushings can be removed and relocated if needed

1 INSIDE OR OUTSIDE APPLICATION

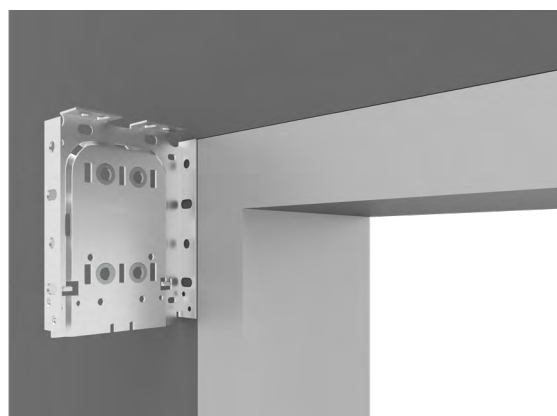
NOTE: RIGHT CONTROL INSTALLATION



A INSIDE MOUNT

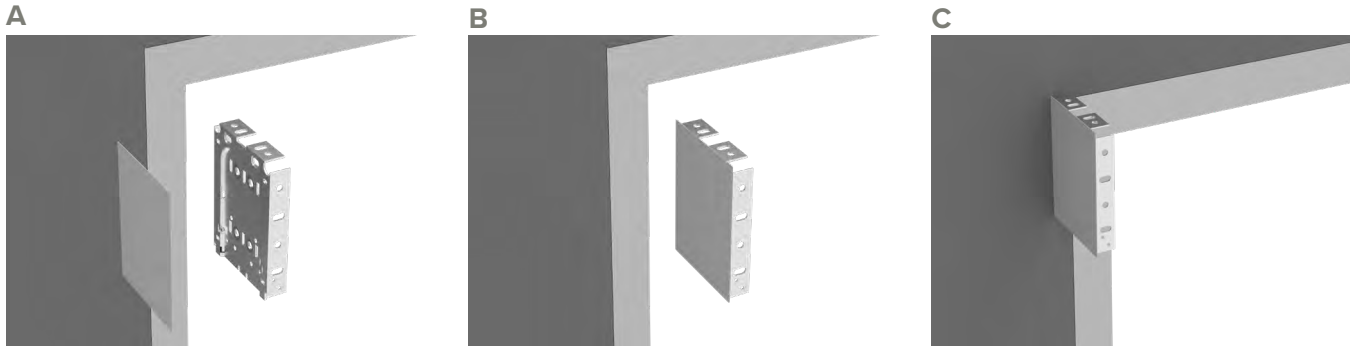


B OUTSIDE MOUNT



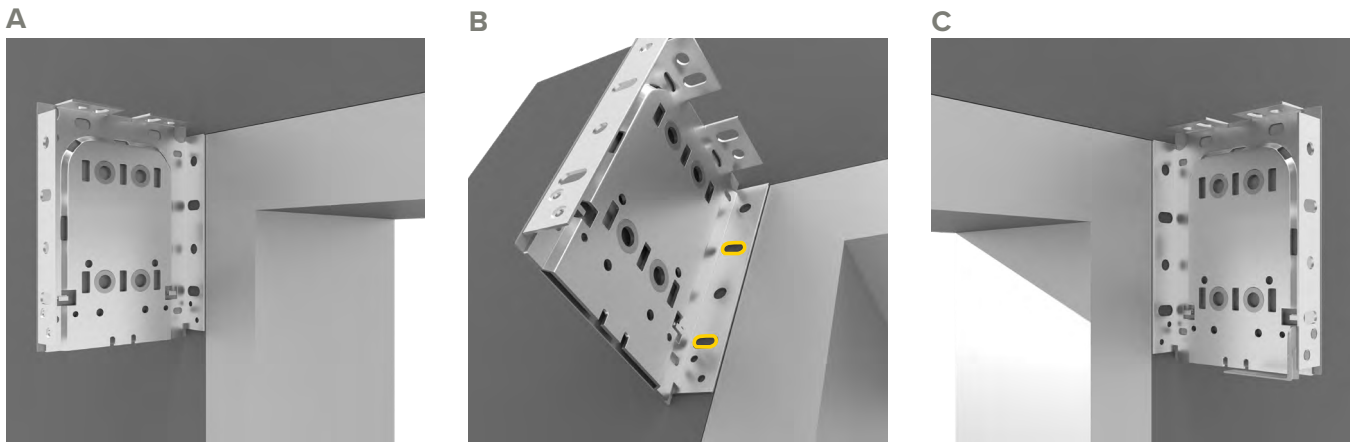
2 BRACKET COVERS INSTALLATION (OPTIONAL)

Install bracket covers before drilling in brackets.



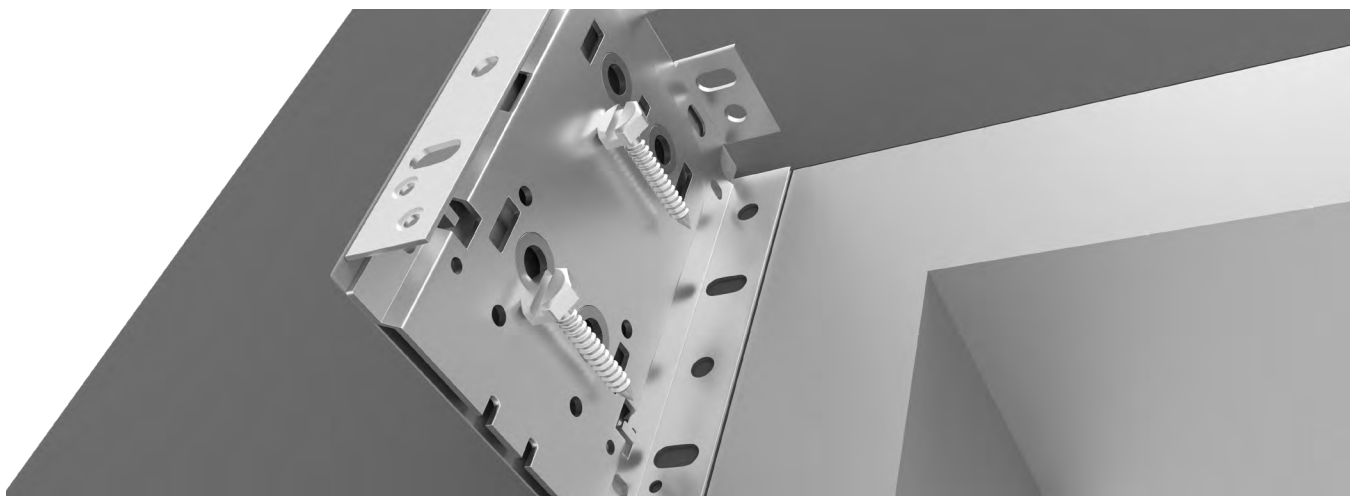
3 MOUNTING LOCATION

Place your first bracket in its mounting location and mark the screw holes. As seen in image 3B and repeat for other bracket.



4 SCREW INSTALLATION

Confirm holes are leveled on both sides. Install the brackets with the provided screws using the hex head driver.



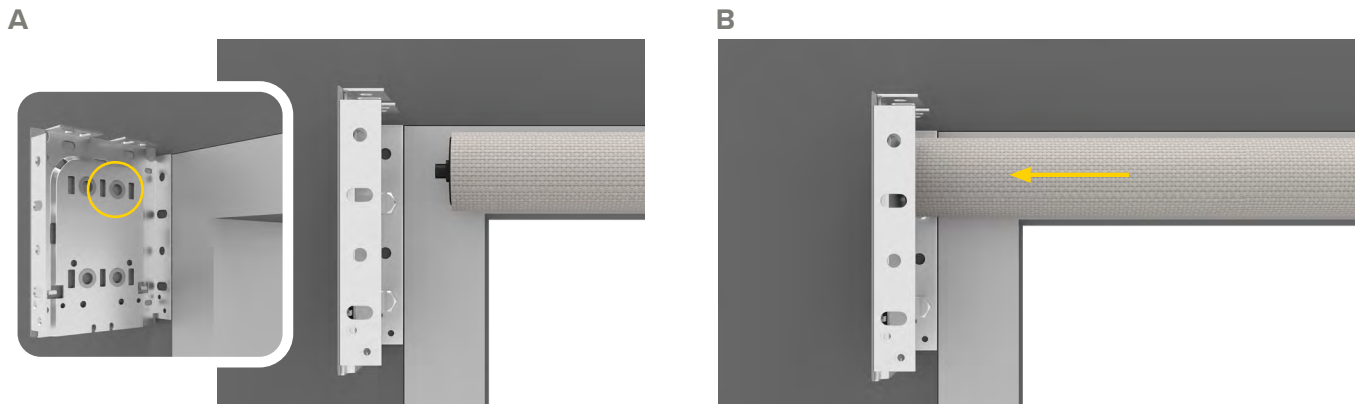
5 ALIGNMENT

Check to make sure your brackets are level and aligned.



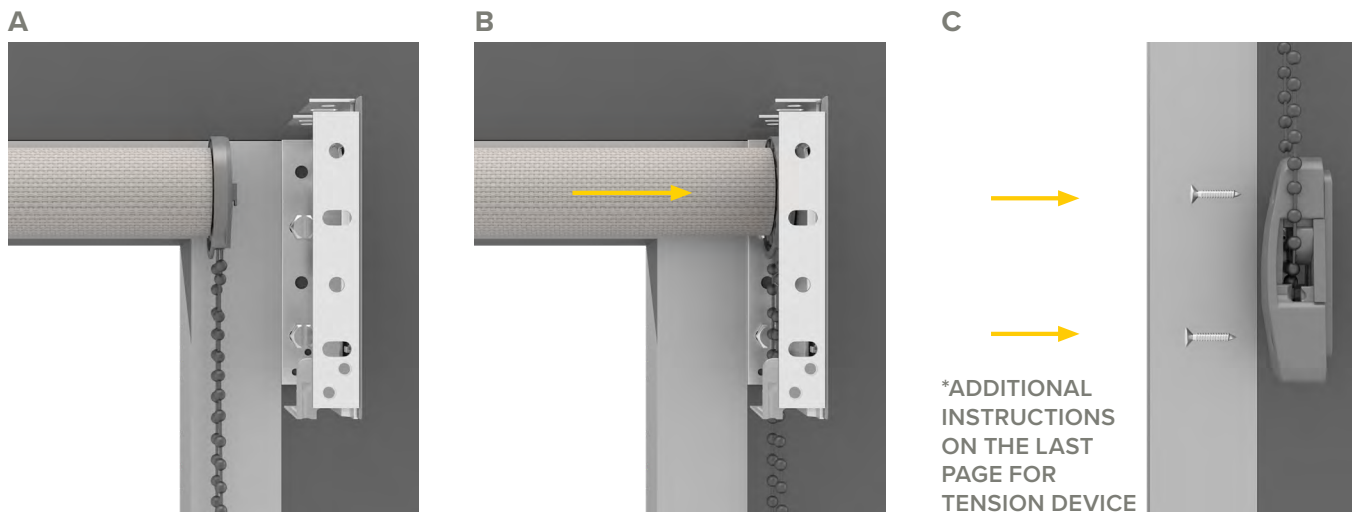
6 TOP SHADE PIN END INSTALLATION

Depress pin end and slide onto bracket until pin engages in center hole. Press idler shaft all the way to the bracket.



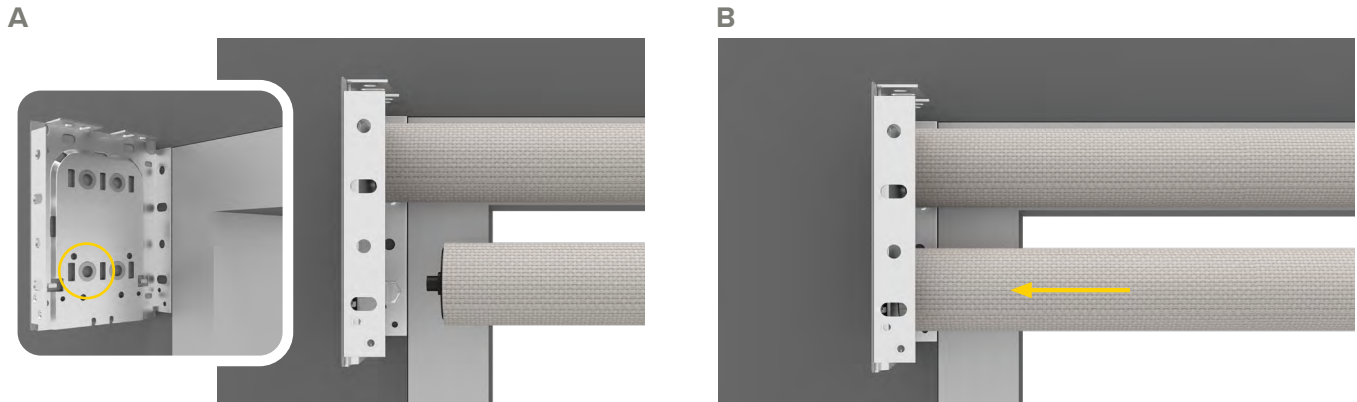
7 CLUTCH END & TENSION DEVICE INSTALLATION

Lineup to clutch bracket. Push clutch into clutch bracket. Install tension device.



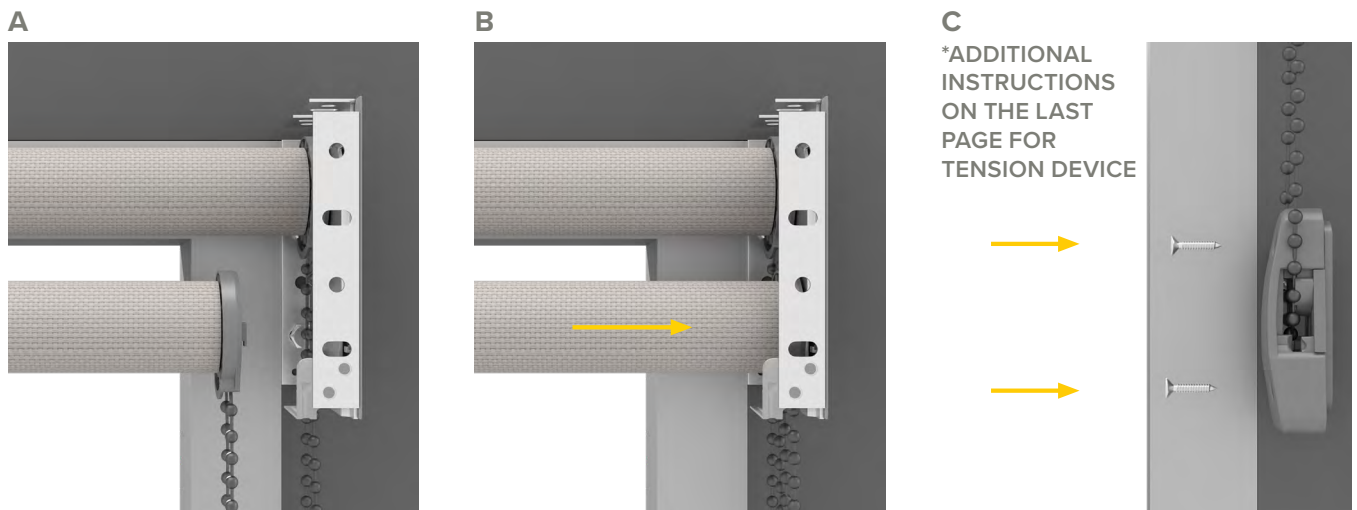
8 BOTTOM SHADE PIN END INSTALLATION

Depress pin end and slide onto bracket until pin engages in center hole. Press idler shaft all the way to the bracket.



9 CLUTCH END & TENSION DEVICE INSTALLATION

Lineup to clutch bracket. Push clutch into clutch bracket. Install tension device.



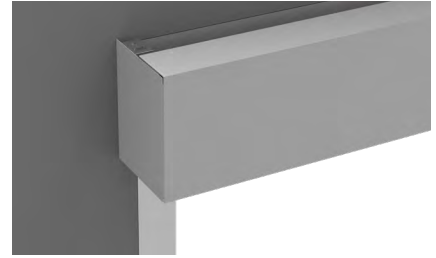
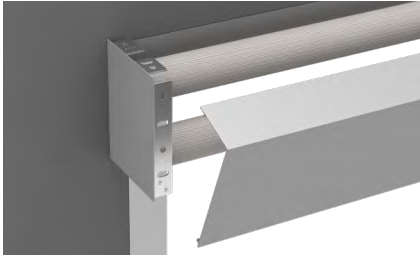
10 FASCIA INSTALLATION

Install bottom or top fascia.

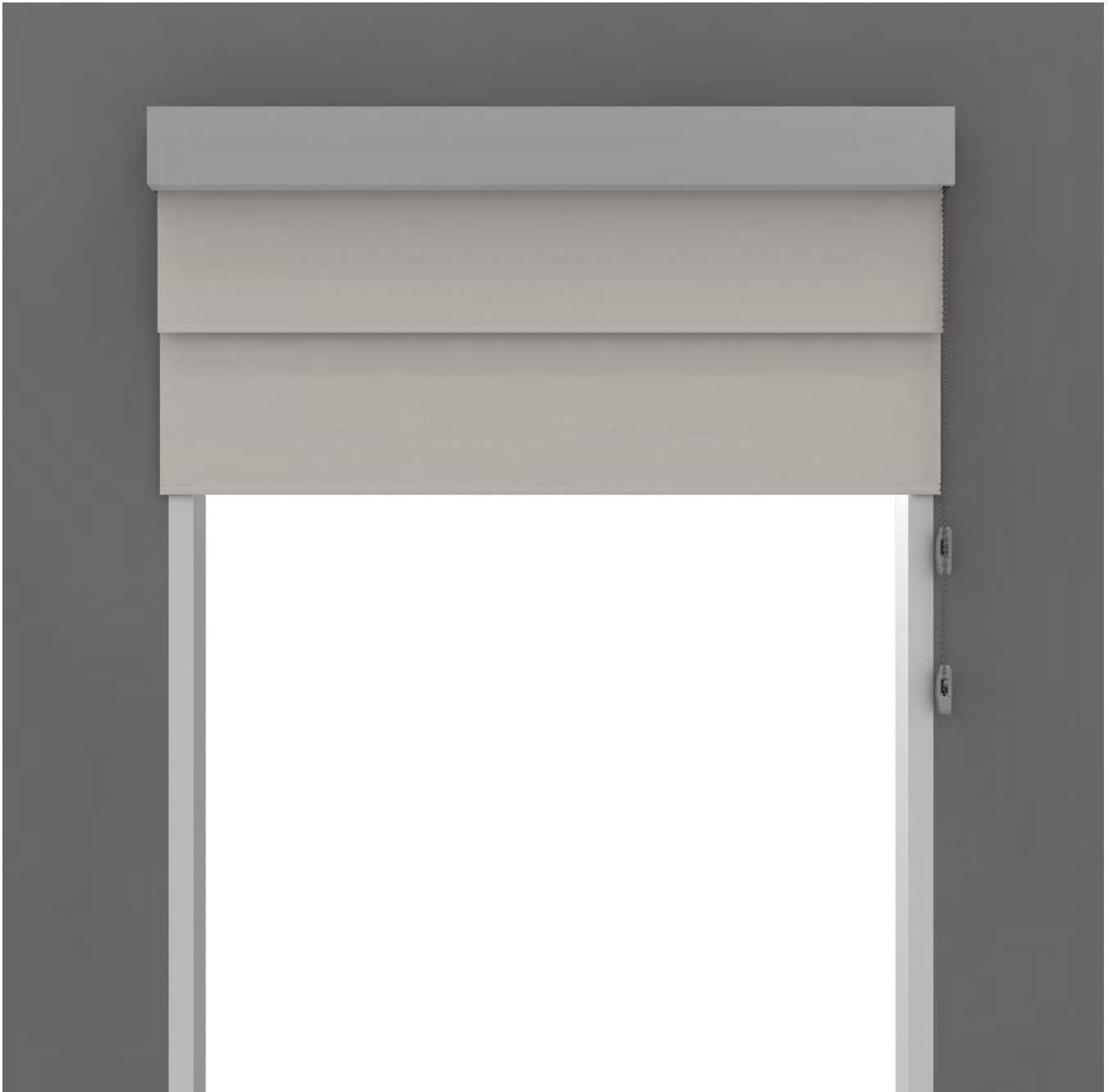
A BOTTOM FASCIA

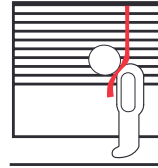


B TOP FASCIA



11 COMPLETED INSTALLATION





WINDOW BLIND CORD CAN STRANGLE YOUR CHILD

- Children can climb furniture to reach cords
- Move cribs and other furniture away.
- Keep all cords out of children's reach.
- Attach tension device to wall or floor.
- Fasteners provided with the tension device may not be appropriate for all mounting surfaces.
- Use appropriate anchors for the mounting surface conditions.



TENSION DEVICE INSIDE & OUTSIDE MOUNT INSTALLATION INSTRUCTIONS

© Copyright RAS Wholesale, All Rights Reserved.

RAS
WHOLESALE

CONTENTS

MOUNT OVERVIEW

Mounting Options 03

TENSION DEVICE INSTALLATION

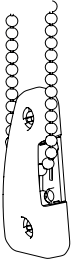
Inside Mount 04

Outside Mount 05

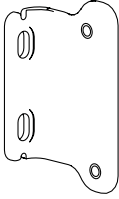


TENSION DEVICE | INSIDE & OUTSIDE MOUNT


HARDWARE INCLUDED




Tension Device + Chain



Tension Device Bracket

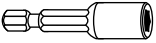


Short Screws

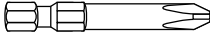


Screws


TOOLS REQUIRED



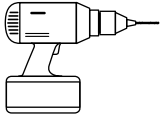
3/8" Hex Head



Phillips Head

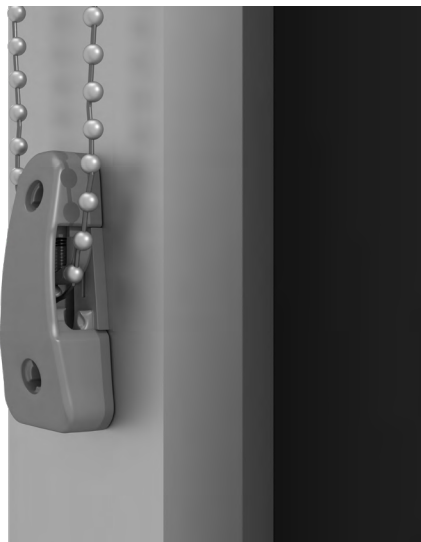
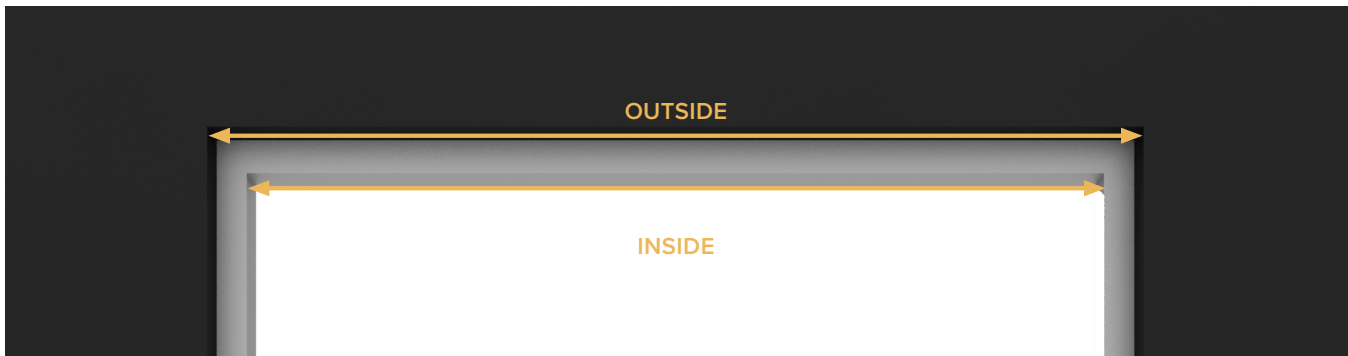


1/8" Drill Bit



Drill

INSIDE OR OUTSIDE APPLICATION



INSIDE MOUNT & TENSION DEVICE INSTALLATION

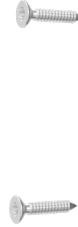
Pull the Chainhold down until the chain is fully tensioned (plunger will be fully raised). Screw device into wall.

A

KEEP
TENSION



B



C

SECURE
TENSION
DEVICE



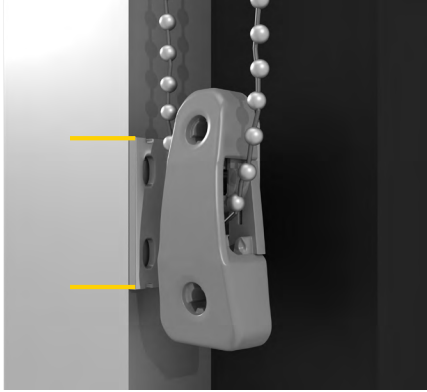
NOTE: Please make sure shade operates smoothly.

OUTSIDE MOUNT & TENSION DEVICE INSTALLATION

With provided screws, install bracket first with large screws (use Chainhold marked screw hole locations as reference). Pull the Chainhold down until the chain is fully tensioned (plunger will be fully raised). Install Chainhold into bracket with small screws.

A

PULL CHAIN
DOWN &
MARK
LOCATION



B

REMOVE
TENSION
DEVICE
& DRILL



C



D



E

PLACE
TENSION
DEVICE
ON
BRACKET



F

SECURE
TENSION
DEVICE



NOTE: Please make sure shade operates smoothly.



TENSION DEVICE FLOOR INSIDE & OUTSIDE MOUNT INSTALLATION INSTRUCTIONS

© Copyright RAS Wholesale, All Rights Reserved.

RAS
WHOLESALE

CONTENTS

FLOOR MOUNT OVERVIEW

Floor Mounting Options 08

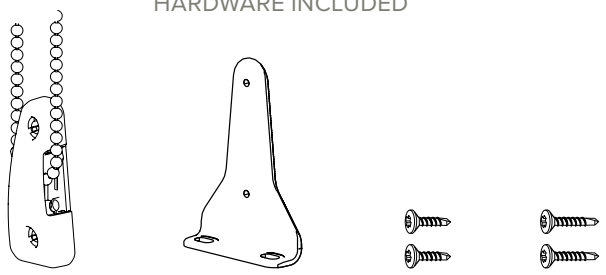
FLOOR TENSION DEVICE INSTALLATION

Floor Outside Mount 09



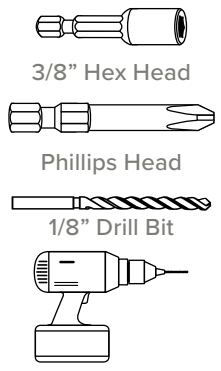
TENSION DEVICE | FLOOR INSIDE & OUTSIDE MOUNT

HARDWARE INCLUDED



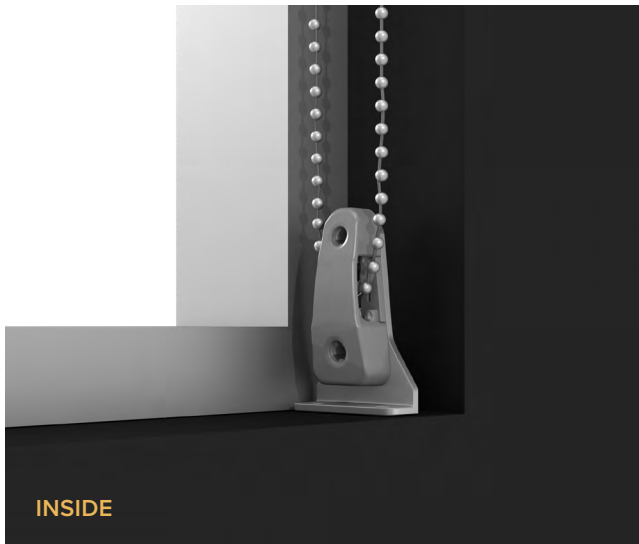
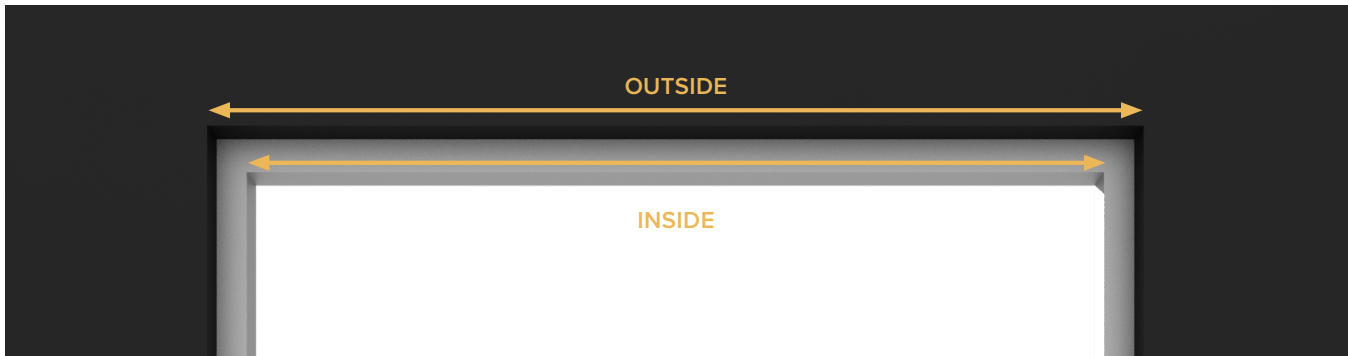
Tension Device + Chain Tension Device Floor Bracket Short Screws Screws

TOOLS REQUIRED



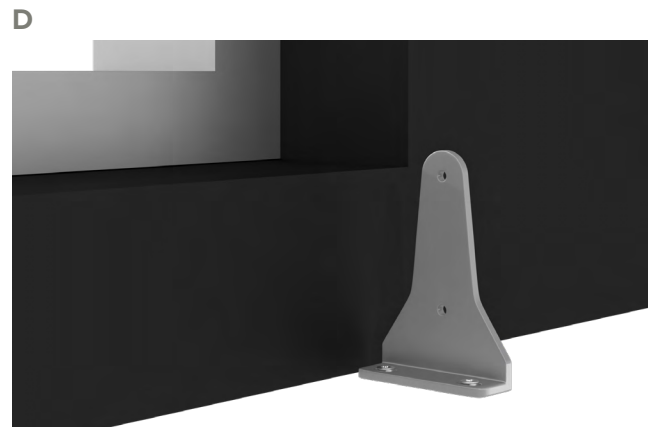
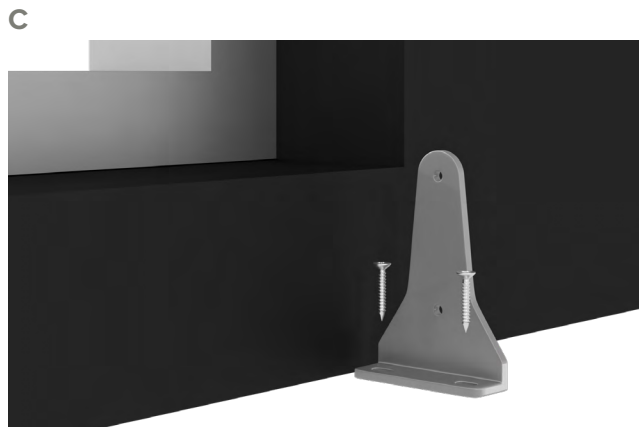
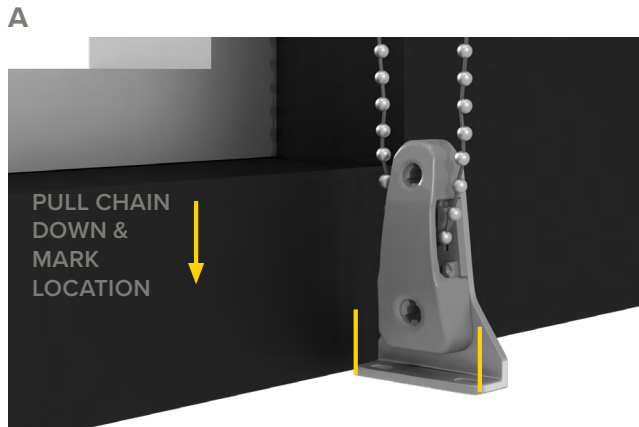
3/8" Hex Head
Phillips Head
1/8" Drill Bit
Drill

INSIDE OR OUTSIDE APPLICATION



OUTSIDE MOUNT & TENSION DEVICE INSTALLATION

With provided screws, install bracket first with large screws (use Chainhold marked screw hole locations as reference). Pull the Chainhold down until the chain is fully tensioned (plunger will be fully raised). Install Chainhold into bracket with small screws.



NOTE: Please make sure shade operates smoothly.