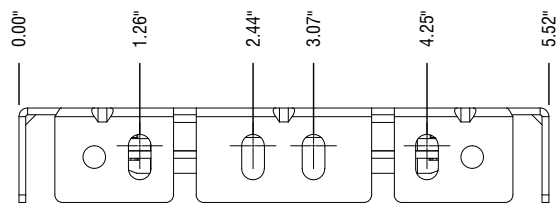


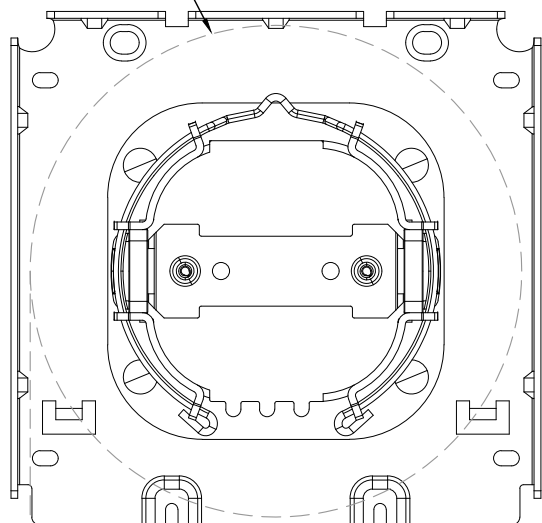
2

1

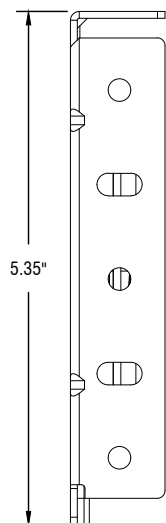


TOP

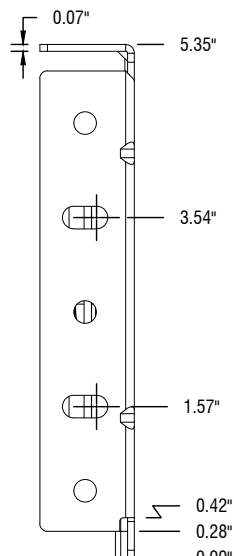
MAX RD: 5.12"



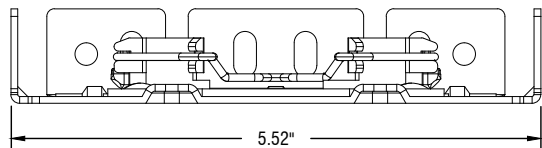
MOTOR PROFILE



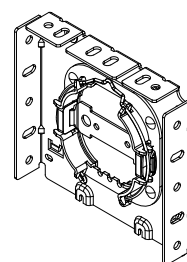
LEFT SIDE



RIGHT SIDE



BOTTOM



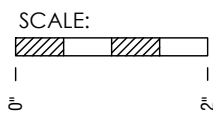
**NOTES**

MATERIAL:

FINISH:

UNLESS OTHERWISE SPECIFIED:  
DIMENSIONS ARE IN INCHES  
TOLERANCES:  
.X ± .1"  
.XX ± .01"  
.XXX ± .005"

1. DEBURR AND SMOOTH ALL SHARP EDGES



B

B

A

A



ROLL A SHADE

12101 MADERA WAY. RIVERSIDE, CA. 92503  
P: 951-245-5077 F: 951-245-5075  
WWW.ROLLASHADE.COM

PROPRIETARY AND CONFIDENTIAL

© COPYRIGHT 2024 ROLL-A-SHADE, INC. ALL RIGHTS RESERVED. THIS DRAWING IS THE PROPERTY OF ROLL-A-SHADE, INC.. THE GRAPHICS, INFORMATION AND SPECIFIC IDEAS IN THIS DOCUMENT ARE THE EXCLUSIVE PROPERTY OF ROLL-A-SHADE, INC. AND MUST NOT BE MADE PUBLIC, COPIED OR SOLD. OTHERS SEEKING PERMISSION TO REPRODUCE THIS DOCUMENT, IN WHOLE OR IN PART, MUST OBTAIN PERMISSION FROM ROLL-A-SHADE, INC. IN WRITING.

REVISIONS

REV.	DATE	REVISION	NAME
1	12/17/2025	PUBLISHED	SM

TITLE:

5.5" DC MOTOR BRACKET

DWG. NO.

RAS-CUT-ENG-CPL5.5-002

REV

1

WEIGHT: TBD

SHEET 1 OF 2

2

1

2

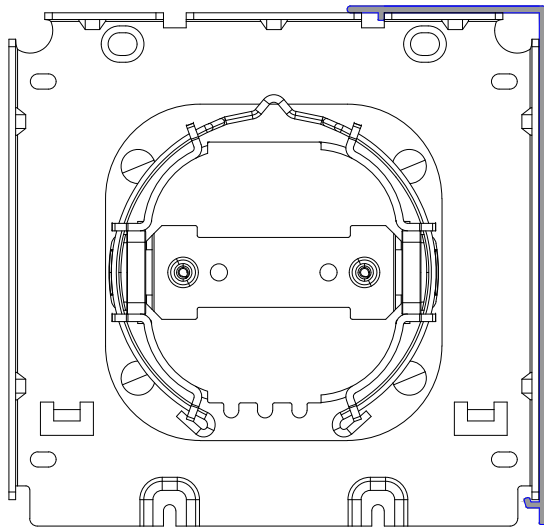
1

B

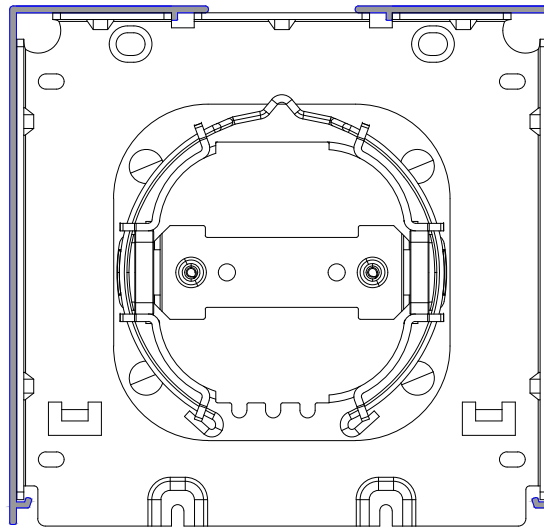
B

A

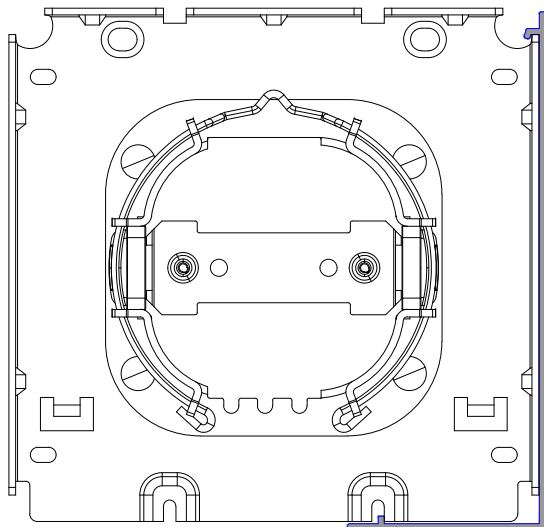
A



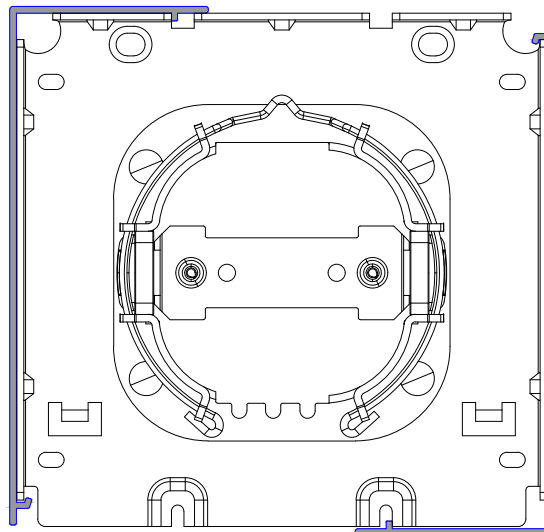
**TOP FASCIA**



**TOP FASCIA W/BACK PLATE**



**BOTTOM FASCIA**



**BOTTOM FASCIA W/BACK PLATE**

**NOTES**

MATERIAL:

FINISH:

UNLESS OTHERWISE SPECIFIED:  
DIMENSIONS ARE IN INCHES

TOLERANCES:  
.X ± .1"  
.XX ± .01"  
.XXX ± .005"

1. DEBURR AND SMOOTH ALL SHARP EDGES



ROLL A SHADE

12101 MADERA WAY. RIVERSIDE, CA. 92503  
P: 951-245-5077 F: 951-245-5075  
WWW.ROLLASHADE.COM

**PROPRIETARY AND CONFIDENTIAL**

© COPYRIGHT 2024 ROLL-A-SHADE, INC. ALL RIGHTS RESERVED. THIS DRAWING IS THE PROPERTY OF ROLL-A-SHADE, INC.. THE GRAPHICS, INFORMATION AND SPECIFIC IDEAS IN THIS DOCUMENT ARE THE EXCLUSIVE PROPERTY OF ROLL-A-SHADE, INC. AND MUST NOT BE MADE PUBLIC, COPIED OR SOLD. OTHERS SEEKING PERMISSION TO REPRODUCE THIS DOCUMENT, IN WHOLE OR IN PART, MUST OBTAIN PERMISSION FROM ROLL-A-SHADE, INC. IN WRITING.

**REVISIONS**

REV.	DATE	REVISION	NAME
1	12/17/2025	PUBLISHED	SM

**TITLE:**

5.5" DC MOTOR BRACKET

**DWG. NO.**

RAS-CUT-ENG-CPL5.5-002

**REV**

1

WEIGHT: TBD

SHEET 2 OF 2

2

1