

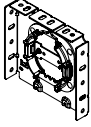
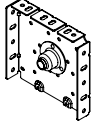
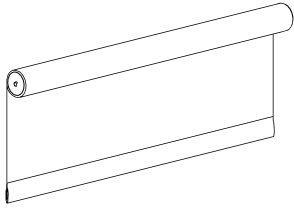
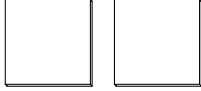

## CONTRACT PLUS+ SHADE 5.5" DC MOTOR BOTTOM & TOP FASCIA MOTORIZED INSTALLATION INSTRUCTIONS

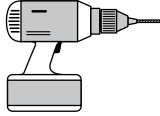
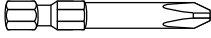
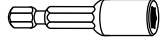

Rollashade.com  
info@rollashade.com  
951.245.5077

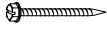



RAS-INS-MAR-CPL5.5-003 © Copyright Roll A Shade® LLC. All Rights Reserved.

 ROLL A SHADE

## EQUIPMENT LIST

HARDWARE INCLUDED				
				
DC Motor Bracket	Idler End Bracket	Shades + Motors	Bracket Covers (Optional)	Fascia

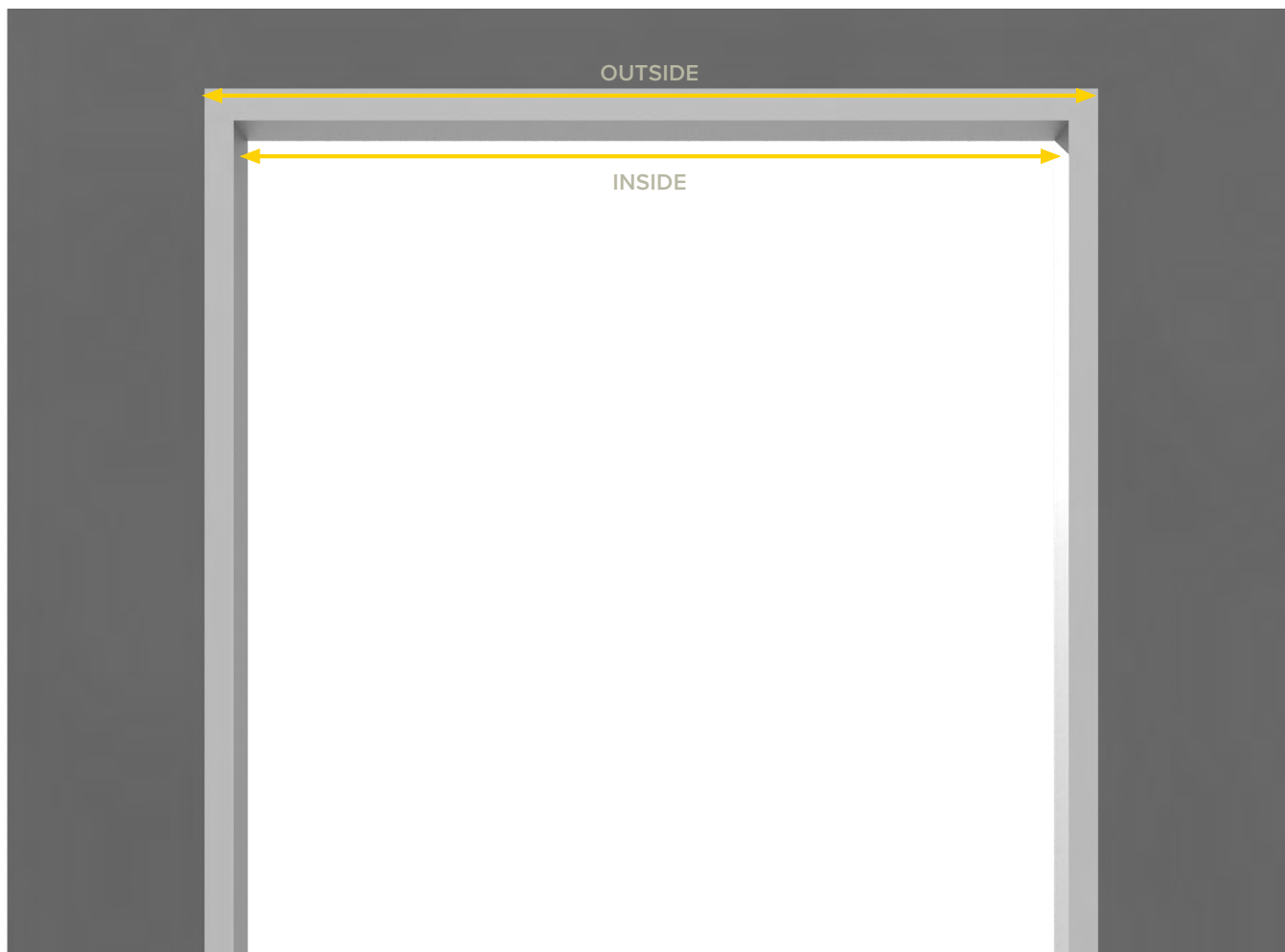
TOOLS	
LABEL	IMAGE OF TOOL
Drill	
Phillips Head & 6" Extension	
Hex Head Driver	
1/16" Drill Bit	

SCREWS		
LABEL	IMAGE OF SCREW	DRILL BIT TO USE
#8 X 1.5" Hex Head Wood Screw		1/16" Drill Bit
#8-18 x 1-1/2" Pan Phillips Tension Device Self Tap		N/A
#8-18 x 3/4" PH Pan HD Screw Tension Device Self Tap		N/A
#8-18 x 5/8" Hex Tek #2 Bit		N/A

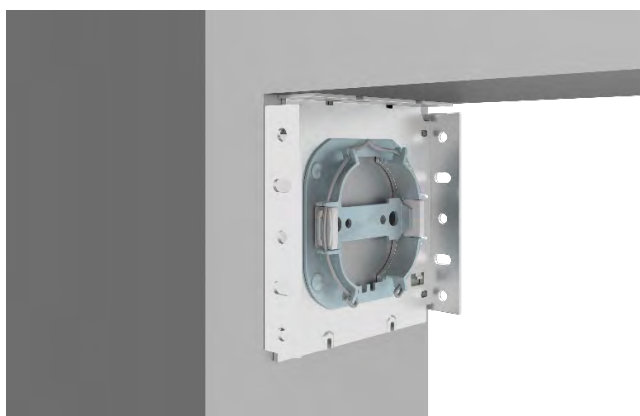
## 1 INSIDE OR OUTSIDE APPLICATION

**\*\*NOTE: ALL SHADES MAY BE PRE-PROGRAMMED TO SENSORS, REMOTES, AND/OR WALL SWITCHES UPON ARRIVAL\*\***

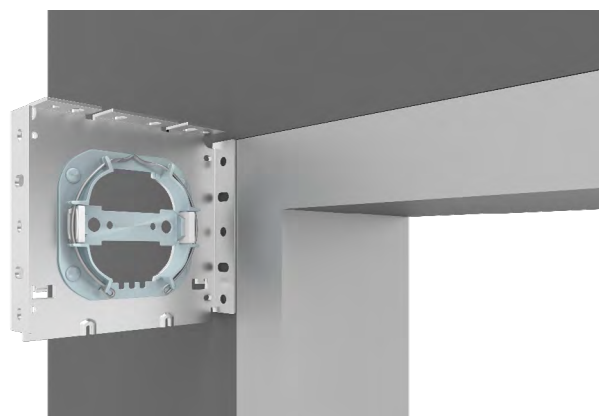
**\*\*NOTE: LEFT CONTROL INSTALLATION\*\***



**A INSIDE MOUNT**

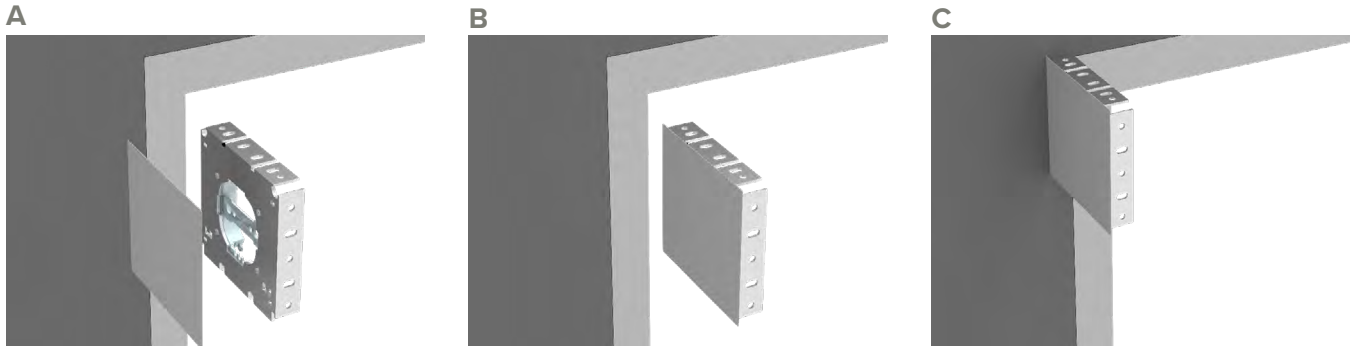


**B OUTSIDE MOUNT**



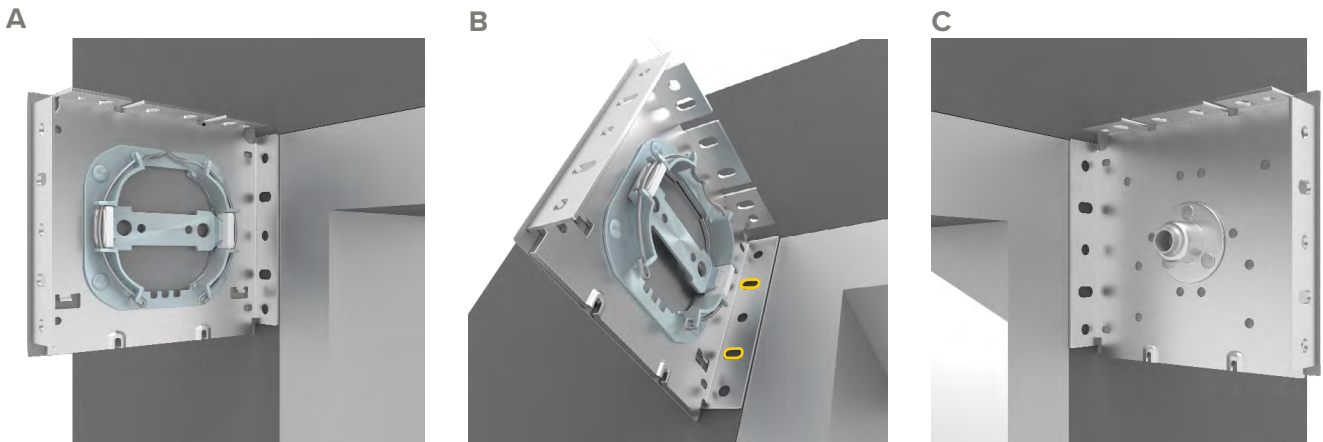
## 2 BRACKET COVERS INSTALLATION (OPTIONAL)

Install bracket covers before drilling in brackets.



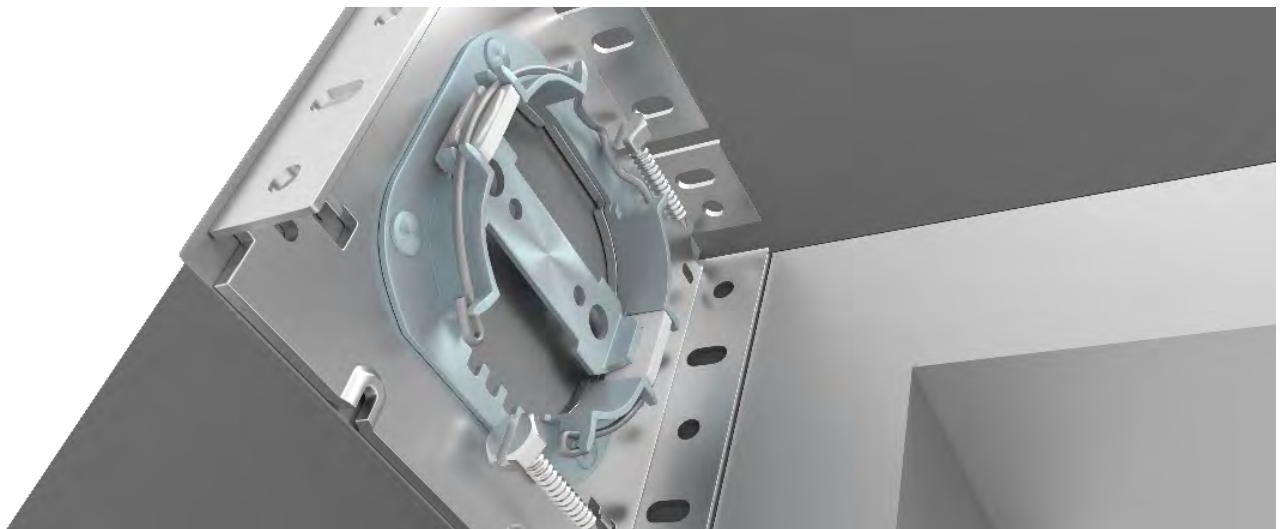
## 3 MOUNTING LOCATION

Place the first bracket on its mounting location and mark the screw holes as seen in image 3B. Repeat for the bracket on the other side.



## 4 SCREW INSTALLATION

Install the brackets with the provided screws using the hex head driver.



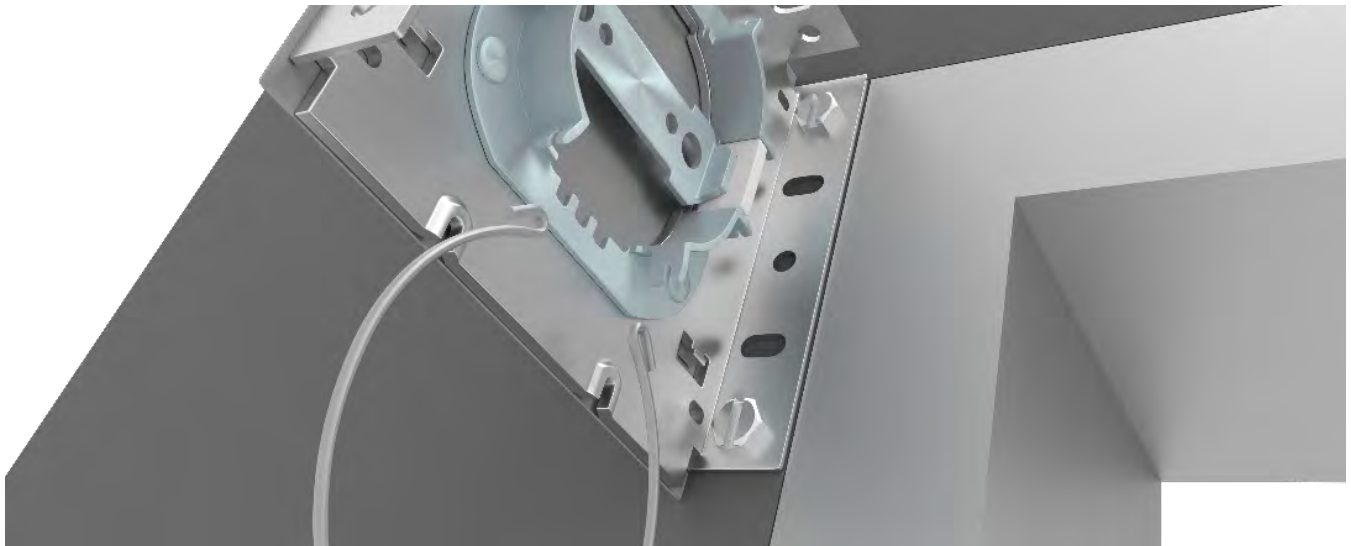
## 5 ALIGNMENT

Check to make sure your brackets are level and aligned. Remove locking ring as seen in image 5B (do not discard of locking ring).

**A**



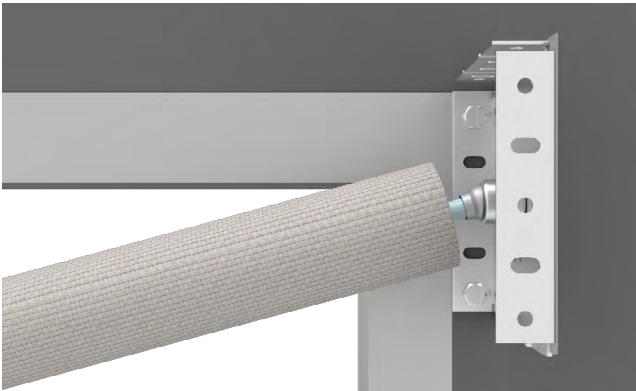
**B**



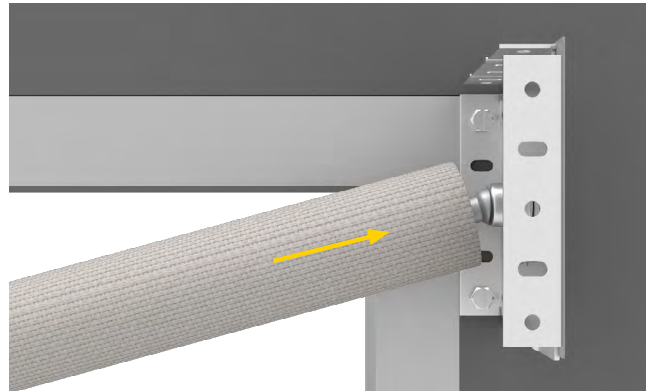
## 6 SHADE PIN END INSTALLATION

Swivel ball bearing to align with idler shaft for easy installation. Press idler shaft all the way to the bracket.

**A**



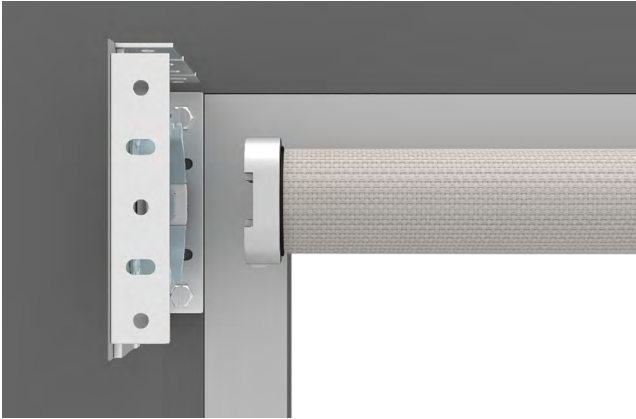
**B**



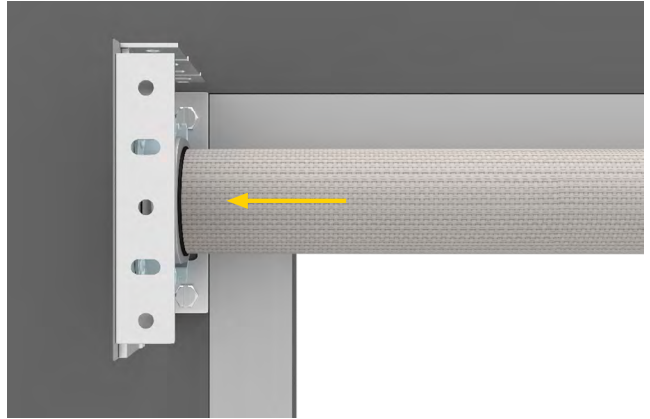
## 7 MOTOR END INSTALLATION

Lineup to motor bracket. Push motor into motor bracket.

**A**



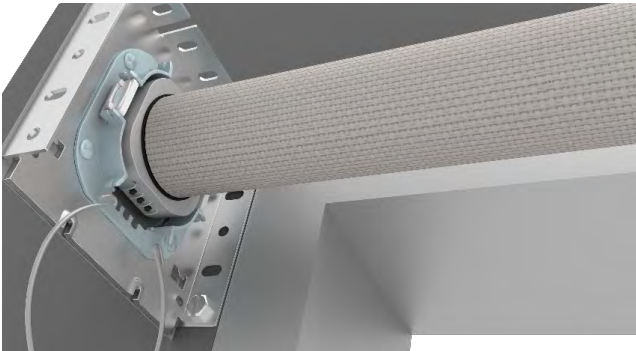
**B**



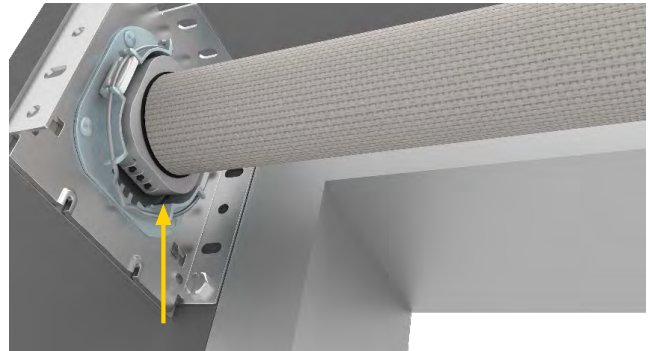
## 8 LOCK RING INSTALLATION

Re-install locking ring on the motor bracket. Check motor is secured correctly.

**A**



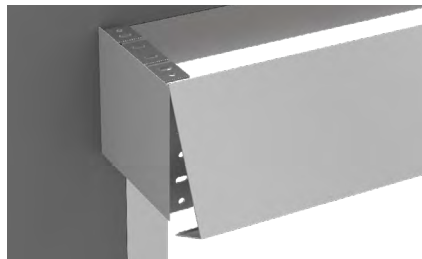
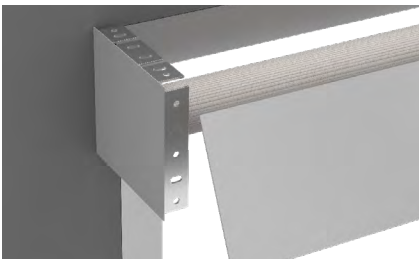
**B**



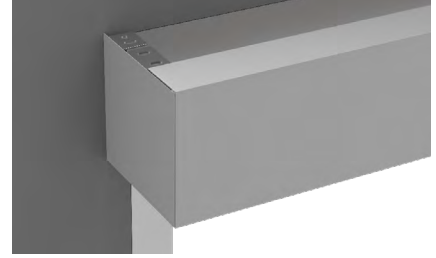
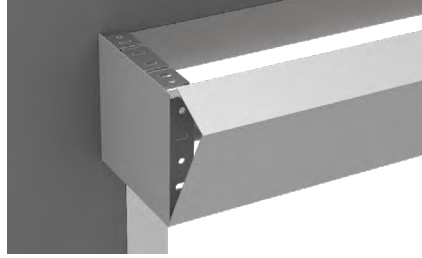
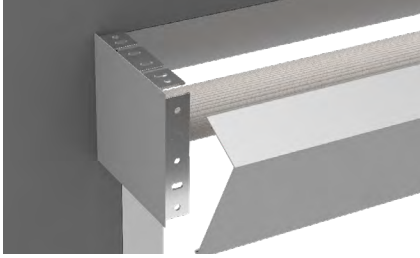
## 9 FASCIA INSTALLATION

Install bottom or top fascia.

**A BOTTOM FASCIA**



## B TOP FASCIA



## 10 PLUG IN MOTOR

- Run motor power cord to nearest power outlet.
- Install wire tie pads and secure with zip ties to hold wire down.
- The path of the wire should be parallel with mullions and/or drop ceiling tiles ensuring the cable is neatly organized.
- Any modifications to the power cable should be done by a certified electrician to meet your city/state code requirements.



## 11 SHADE ADJUSTING (IF NECESSARY)

- Roll shade up and down to confirm hembar is level and material rolls up straight on center tube.
- If the hembar is not level, lower shade until you see the metal tube.
- Add layers of masking tape to the metal tube to the end that is too low until hembar is straight.
- If the material tracks to one side, lower shade until you see the metal tube.
- Add layers of masking tape to the metal tube to the end that is opposite the direction of tracking, until shade rolls up straight.



## 12 ADJUSTING LIMITS (IF NECESSARY)

See programming instructions based on the motor used for your application.