

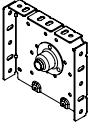
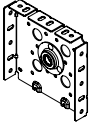
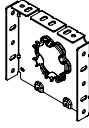
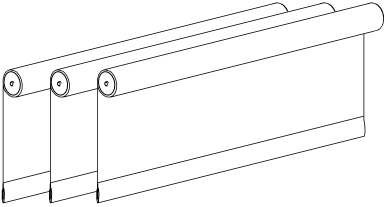


CONTRACT PLUS+ SHADE 5.5" BOTTOM & TOP FASCIA COUPLED MOTORIZED INSTALLATION INSTRUCTIONS

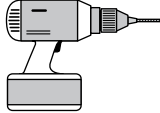

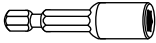


Rollashade.com
info@rollashade.com
951.245.5077

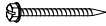



RAS-INS-MAR-CPL5.5-001 © Copyright Roll A Shade® LLC. All Rights Reserved.

 ROLL A SHADE

EQUIPMENT LIST

HARDWARE INCLUDED						
						
Idler End Bracket	Link Bracket	Motor Bracket	Shades + Motors	Bracket Covers (Optional)	Fascia	

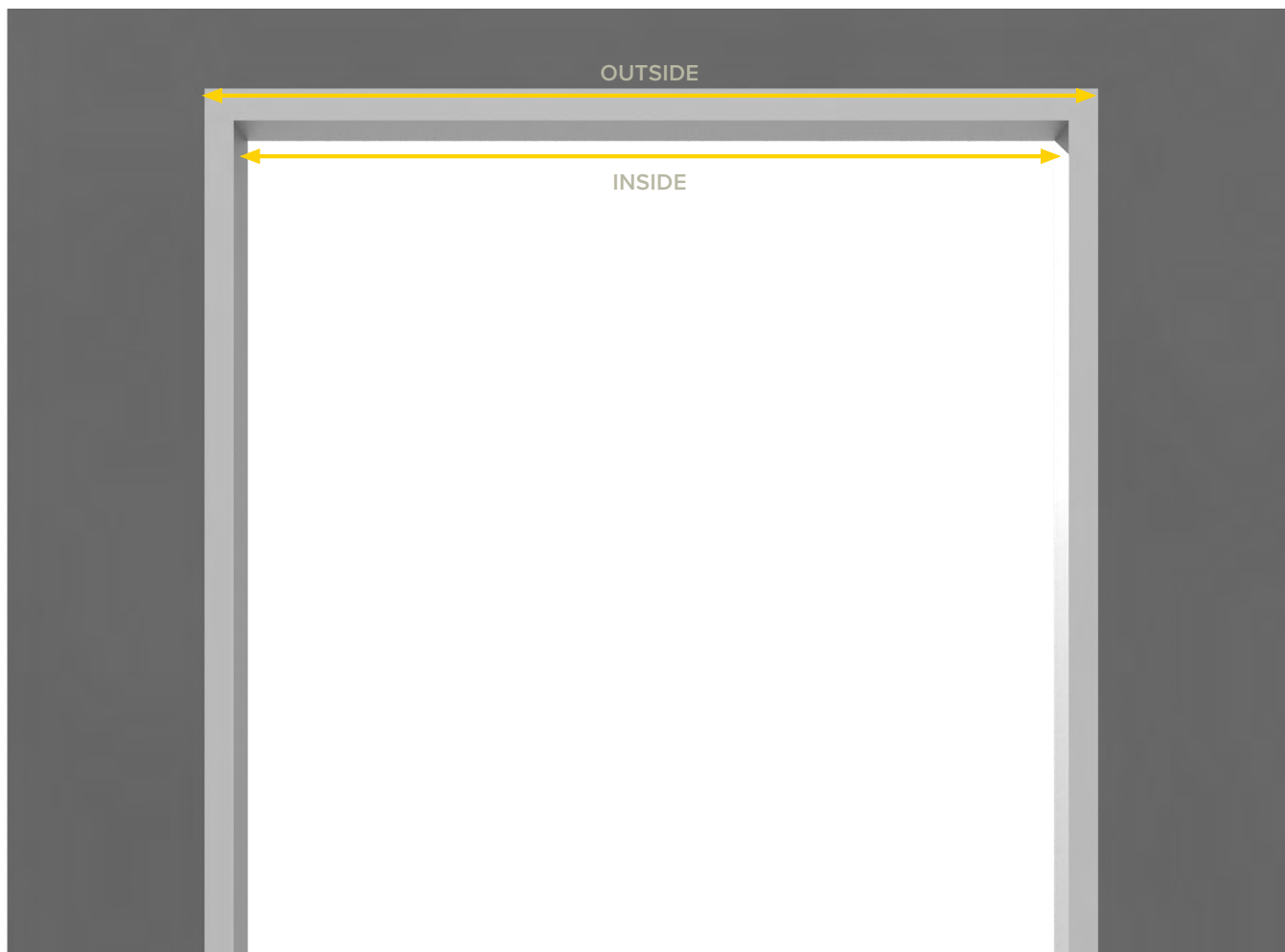
TOOLS	
LABEL	IMAGE OF TOOL
Drill	
Phillips Head & 6" Extension	
Hex Head Driver	
1/16" Drill Bit	
Allen Wrench	

SCREWS		
LABEL	IMAGE OF SCREW	DRILL BIT TO USE
#8 X 1.5" Hex Head Wood Screw		1/16" Drill Bit
#8-18 x 1-1/2" Pan Phillips Tension Device Self Tap		N/A
#8-18 x 3/4" PH Pan HD Screw Tension Device Self Tap		N/A
#8-18 x 5/8" Hex Tek #2 Bit		N/A

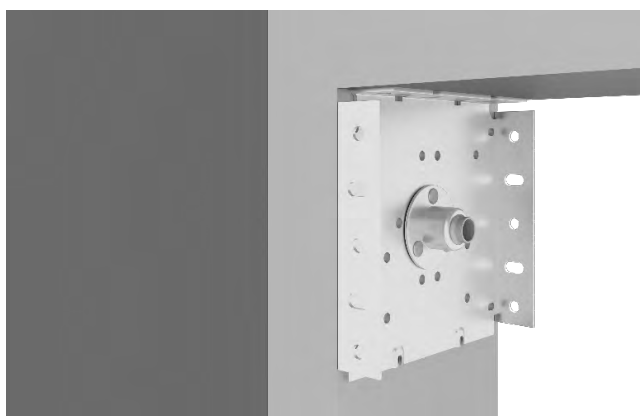
1 INSIDE OR OUTSIDE APPLICATION

****NOTE: ALL SHADES MAY BE PRE-PROGRAMMED TO SENSORS, REMOTES, AND/OR WALL SWITCHES UPON ARRIVAL****

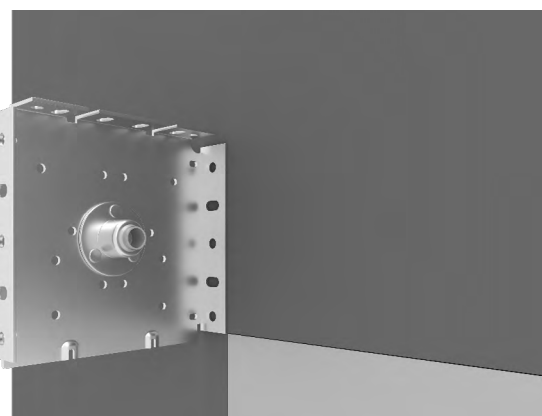
****NOTE: RIGHT CONTROL INSTALLATION****



A INSIDE MOUNT

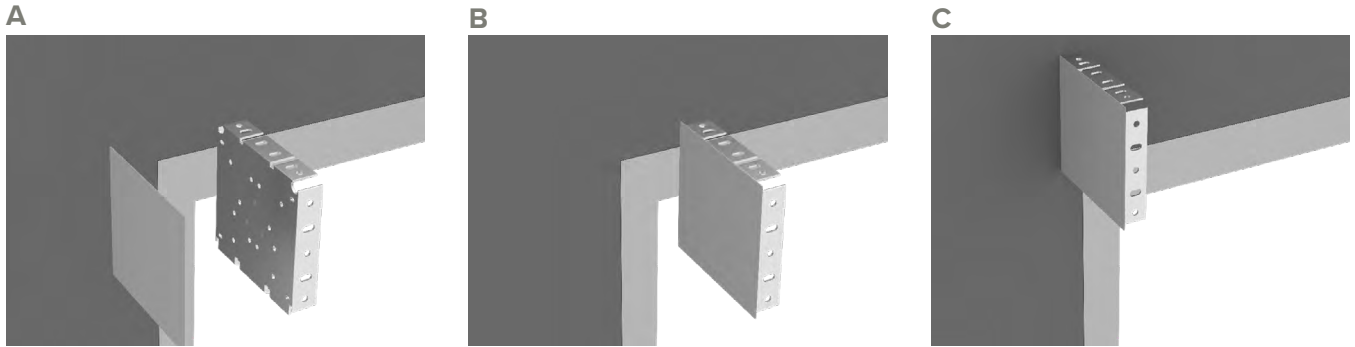


B OUTSIDE MOUNT



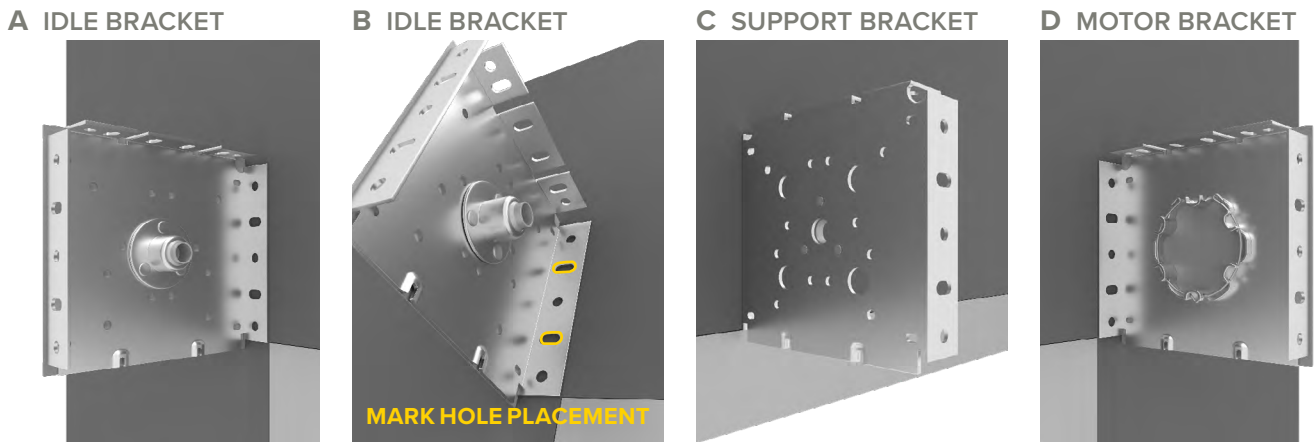
2 BRACKET COVERS INSTALLATION (OPTIONAL)

Install bracket covers before drilling in brackets.



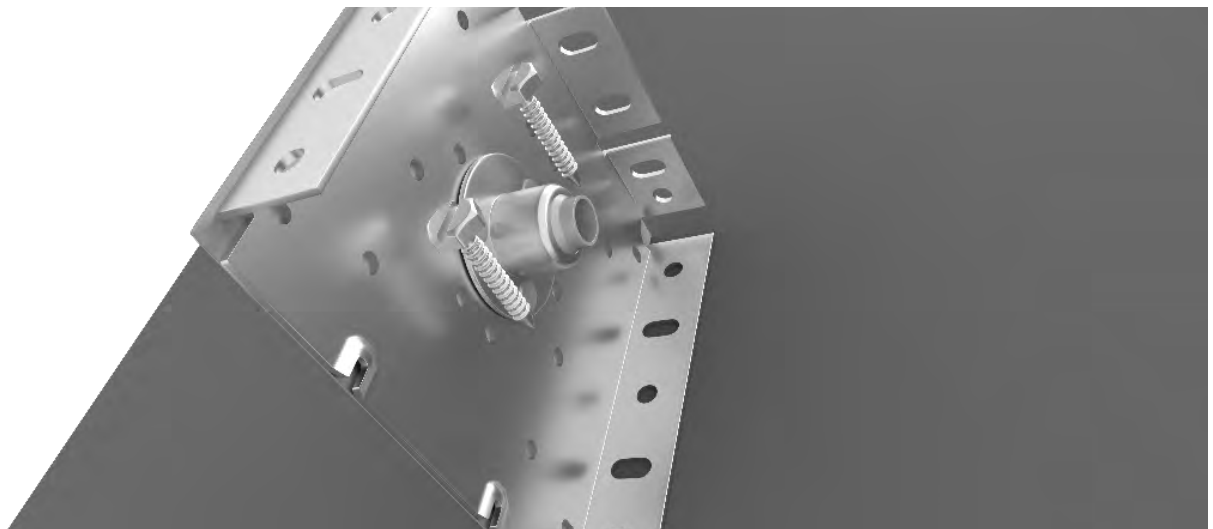
3 MOUNTING LOCATION

Place your first bracket in its mounting location and mark the screw holes. As seen in image 3B and repeat for other bracket.



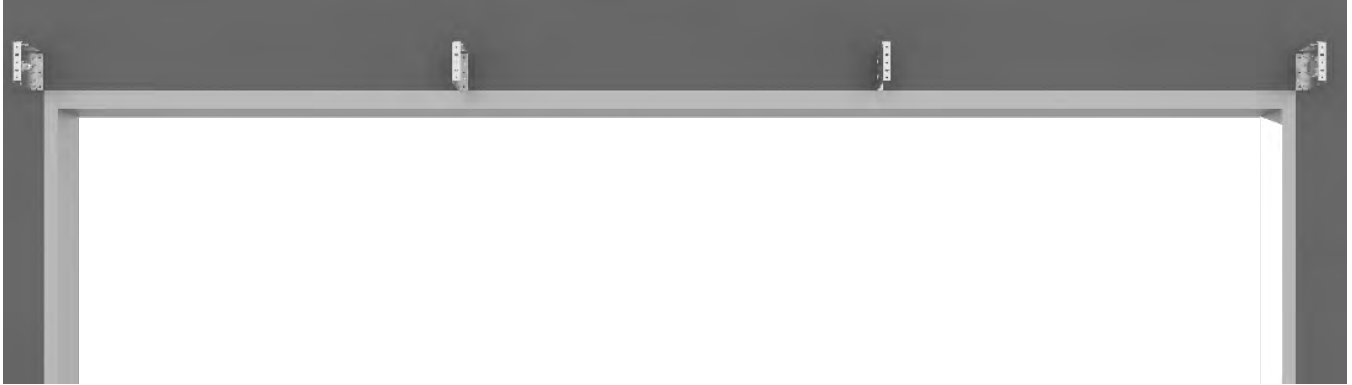
4 SCREW INSTALLATION

Next, pre-drill marked screw holes. Install the brackets with the provided screws using the hex head driver.



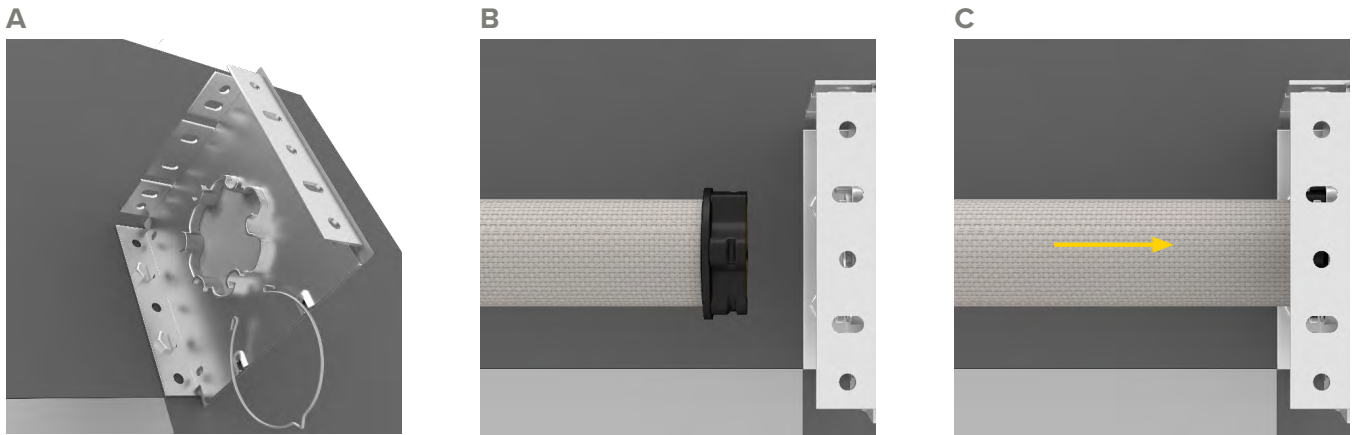
5 ALIGNMENT

Check to make sure your brackets are level and aligned.



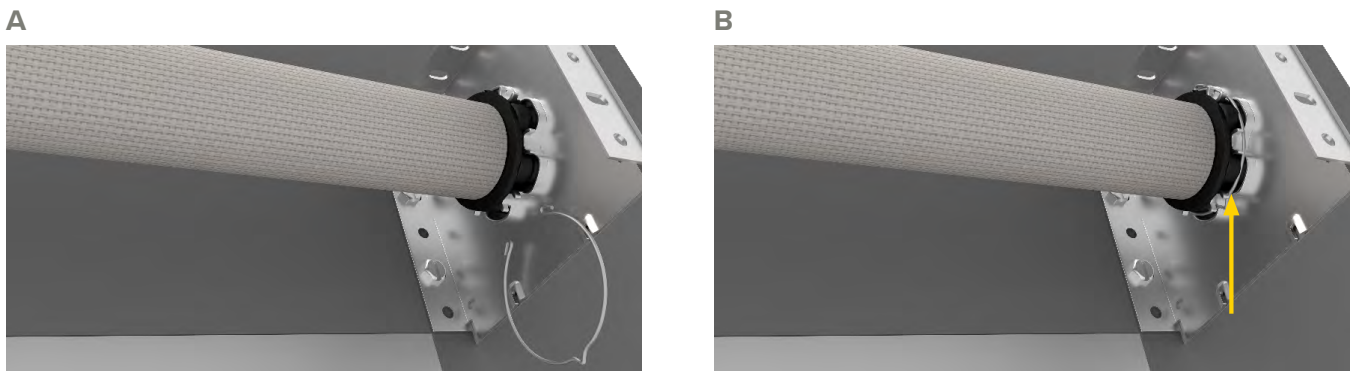
6 MOTOR END INSTALLATION

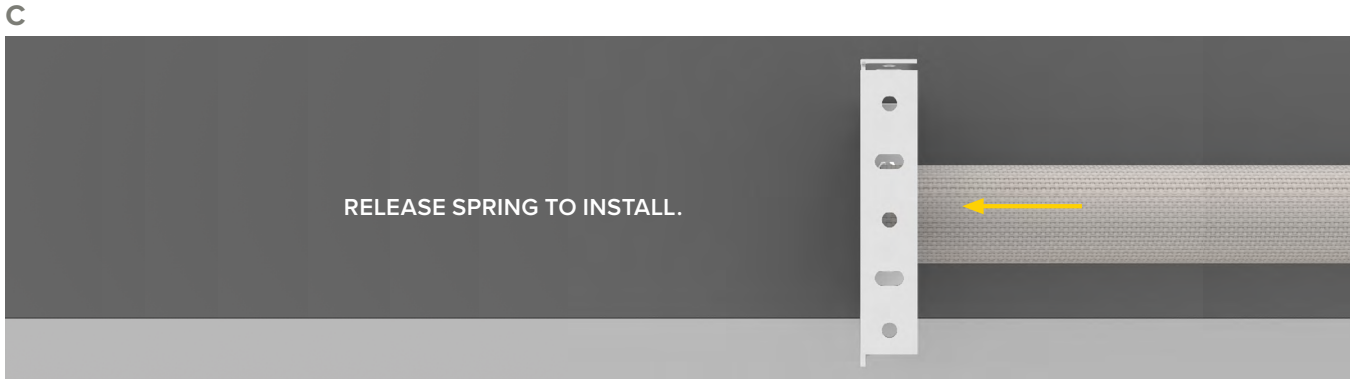
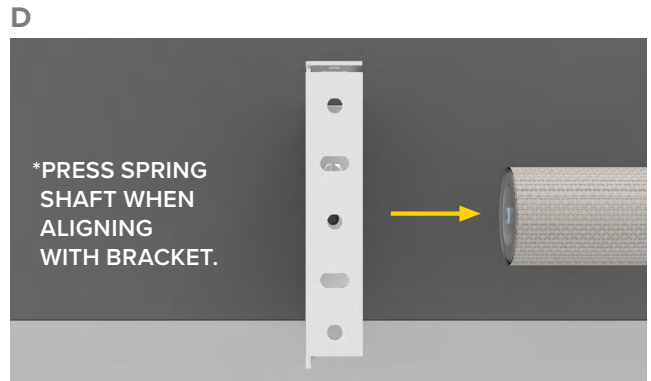
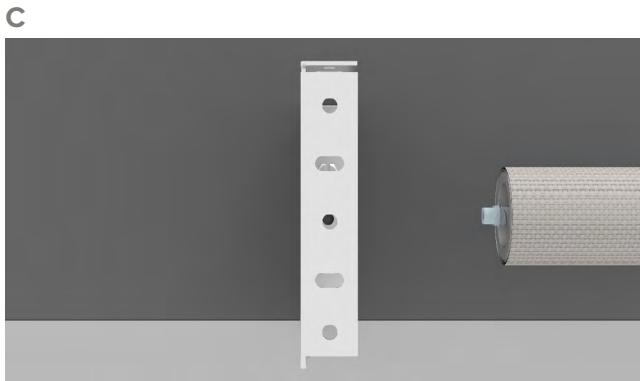
Remove locking ring as seen in image 6A (do not discard the locking ring). Line up and push motor into the motor end bracket.



7 LOCK RING & ADDITIONAL LINKED SHADES INSTALLATION

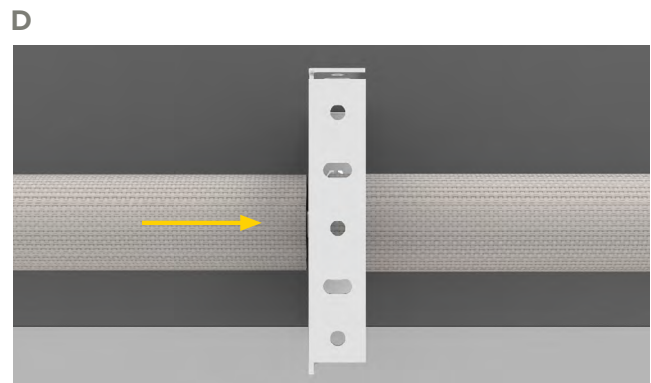
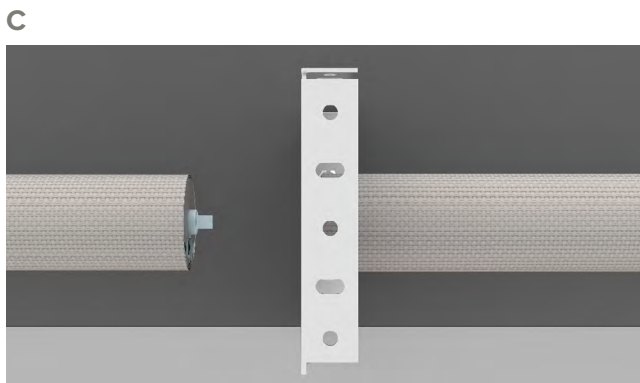
Re-install locking ring to motor bracket. Check motor is secured correctly.





8 SHADE PIN END INSTALLATION

Swivel ball bearing to align with Idler shaft for easy installation. Press Idler shaft all the way to the Bracket.



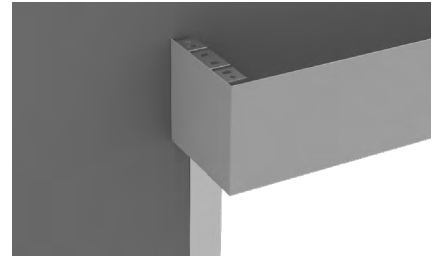
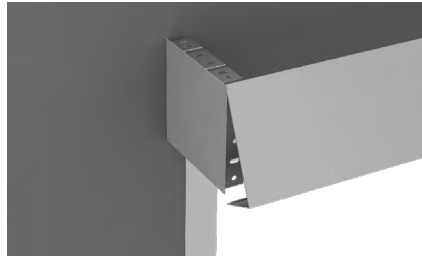
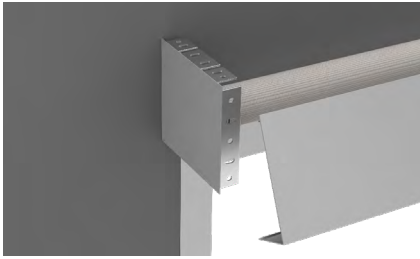
ALIGN TANG SHAFT COUPLER WITH SPRING SHAFT.

INSERT INTO SUPPORT BRACKET.

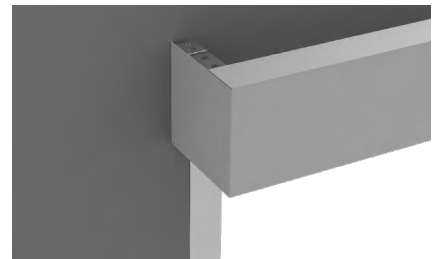
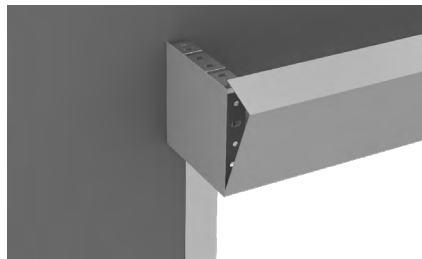
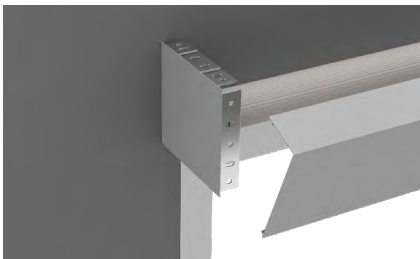
9 FASCIA INSTALLATION

Install bottom or top fascia.

A BOTTOM FASCIA



B TOP FASCIA

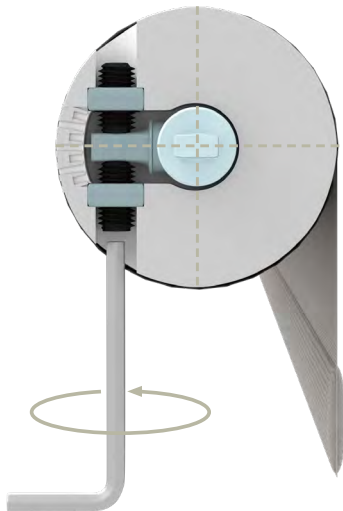


10 ADJUSTING COUPLER

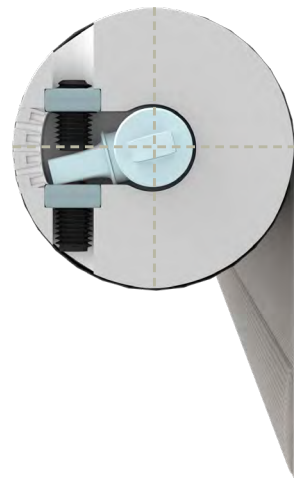
NOTE:

No need to disconnect shades to adjust uneven bottom bar. Adjust screws to level bottom bar. $\pm 1/4''$ Adjustment (total $1/2''$).

A



B



11 PLUG IN MOTOR

- Run motor power cord to nearest power outlet.
- Install wire tie pads and secure with zip ties to hold wire down.
- The path of the wire should be parallel with mullions and/or drop ceiling tiles ensuring the cable is neatly organized.
- Any modifications to the power cable should be done by a certified electrician to meet your city/state code requirements.



12 SHADE ADJUSTING (IF NECESSARY)

- Roll shade up and down to confirm hembar is level and material rolls up straight on center tube.
- If the hembar is not level, lower shade until you see the metal tube.
- Add layers of masking tape to the metal tube to the end that is too low until hembar is straight.
- If the material tracks to one side, lower shade until you see the metal tube.
- Add layers of masking tape to the metal tube to the end that is opposite the direction of tracking, until shade rolls up straight.



13 ADJUSTING LIMITS (IF NECESSARY)

See programming instructions based on the motor used for your application.