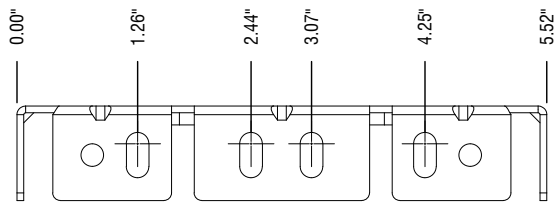
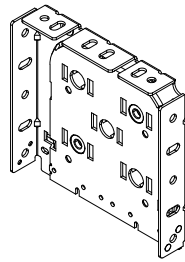


2

1



TOP



NOTES

MATERIAL:

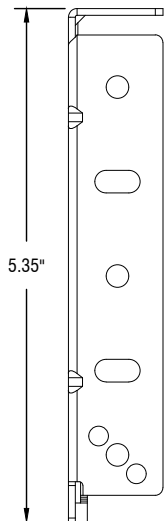
FINISH:

UNLESS OTHERWISE SPECIFIED:
 DIMENSIONS ARE IN INCHES
 TOLERANCES:
 .X ± .1"
 .XX ± .01"
 .XXX ± .005"

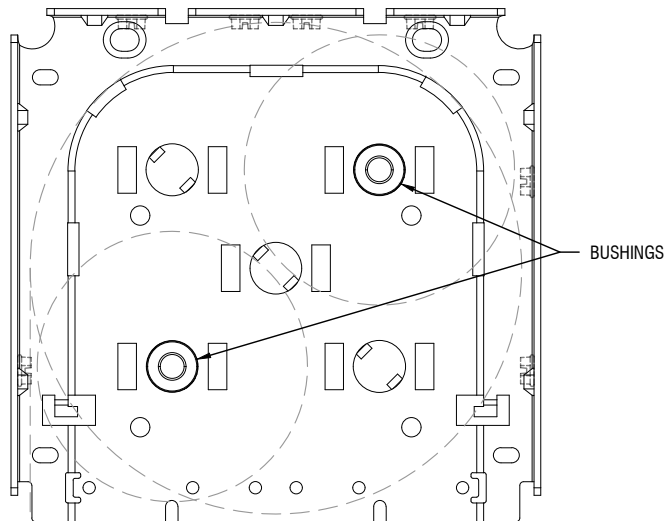
1. DEBURR AND SMOOTH ALL SHARP EDGES
2. SHOWN AS IDLER ON LEFT

B

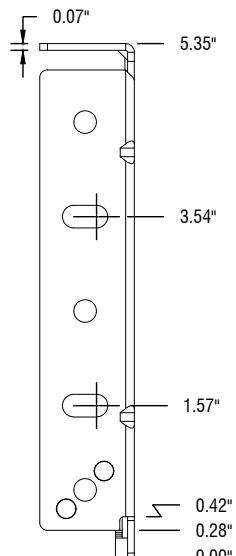
B



LEFT SIDE



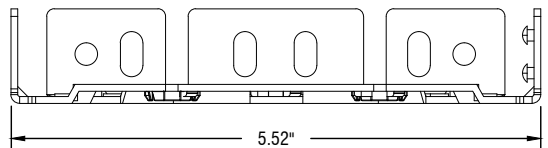
IDLER PROFILE



RIGHT SIDE

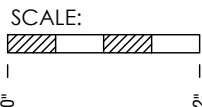
A

A



BOTTOM

MAX ROLL DIAMETER	
SINGLE SHADE <small>(XL20 CLUTCH & 50 AC/DC MOTOR)</small>	130mm (5.12")
DUO SHADE	71mm (2.81")



PROPRIETARY AND CONFIDENTIAL

© COPYRIGHT 2024 ROLL-A-SHADE, INC. ALL RIGHTS RESERVED. THIS DRAWING IS THE PROPERTY OF ROLL-A-SHADE, INC.. THE GRAPHICS, INFORMATION AND SPECIFIC IDEAS IN THIS DOCUMENT ARE THE EXCLUSIVE PROPERTY OF ROLL-A-SHADE, INC. AND MUST NOT BE MADE PUBLIC, COPIED OR SOLD. OTHERS SEEKING PERMISSION TO REPRODUCE THIS DOCUMENT, IN WHOLE OR IN PART, MUST OBTAIN PERMISSION FROM ROLL-A-SHADE, INC. IN WRITING.

REVISIONS

REV.	DATE	REVISION	NAME
1	12/17/2025	PUBLISHED	SM

TITLE:

5.5" IDLE END BRACKET SPECIFICATIONS

DWG. NO.

RAS-CUT-ENG-PLS5.5-002

REV

1

WEIGHT: TBD

SHEET 1 OF 2

2

1



ROLL A SHADE

12101 MADERA WAY. RIVERSIDE, CA. 92503
 P: 951-245-5077 F: 951-245-5075
 WWW.ROLLASHADE.COM

2

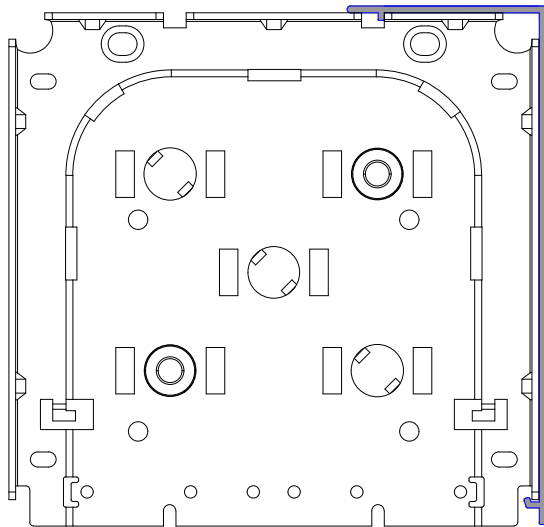
1

B

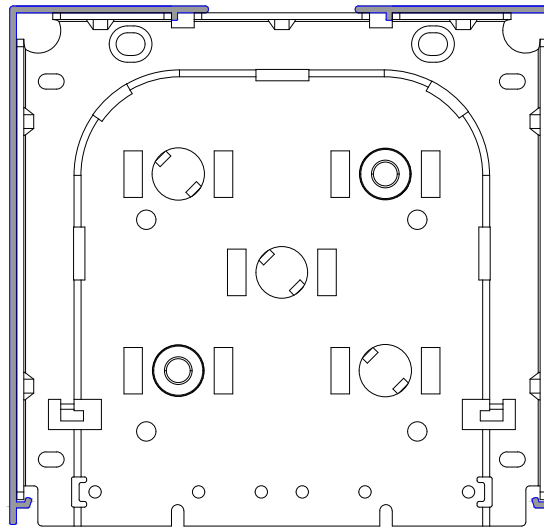
B

A

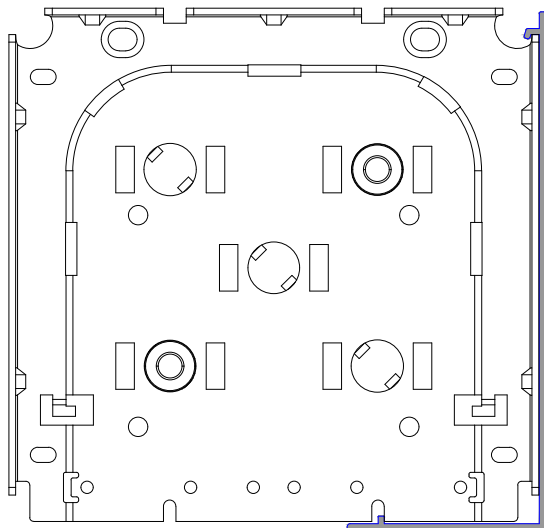
A



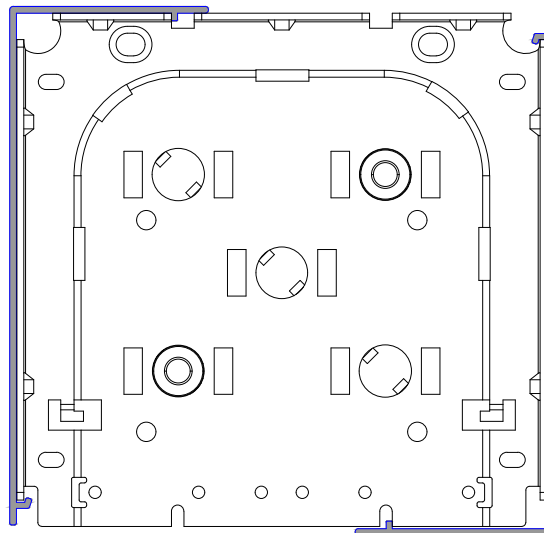
TOP FASCIA



TOP FASCIA W/BACK PLATE



BOTTOM FASCIA



BOTTOM FASCIA W/BACK PLATE

NOTES

MATERIAL:

FINISH:

UNLESS OTHERWISE SPECIFIED:
DIMENSIONS ARE IN INCHES
TOLERANCES:
.X ± .1"
.XX ± .01"
.XXX ± .005"

1. DEBURR AND SMOOTH ALL SHARP EDGES



ROLL A SHADE

12101 MADERA WAY. RIVERSIDE, CA. 92503
P: 951-245-5077 F: 951-245-5075
WWW.ROLLASHADE.COM

PROPRIETARY AND CONFIDENTIAL

© COPYRIGHT 2024 ROLL-A-SHADE, INC. ALL RIGHTS RESERVED. THIS DRAWING IS THE PROPERTY OF ROLL-A-SHADE, INC.. THE GRAPHICS, INFORMATION AND SPECIFIC IDEAS IN THIS DOCUMENT ARE THE EXCLUSIVE PROPERTY OF ROLL-A-SHADE, INC. AND MUST NOT BE MADE PUBLIC, COPIED OR SOLD. OTHERS SEEKING PERMISSION TO REPRODUCE THIS DOCUMENT, IN WHOLE OR IN PART, MUST OBTAIN PERMISSION FROM ROLL-A-SHADE, INC. IN WRITING.

REVISIONS

REV.	DATE	REVISION	NAME
1	12/17/2025	PUBLISHED	SM

TITLE:

5.5" IDLE END BRACKET SPECIFICATIONS

DWG. NO.

RAS-CUT-ENG-PLS5.5-002

REV

1

WEIGHT: TBD

SHEET 2 OF 2

2

1