

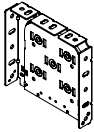
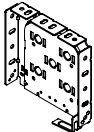
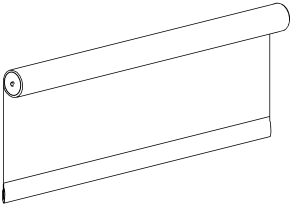
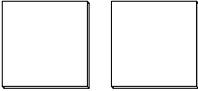

## PLUS<sup>+</sup> SHADE 5.5" BOTTOM & TOP FASCIA MOTORIZED INSTALLATION INSTRUCTIONS

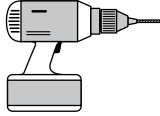
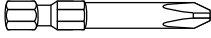
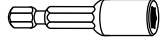

Rollashade.com  
info@rollashade.com  
951.245.5077

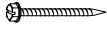



RAS-INS-MAR-PLS5.5-002 © Copyright Roll A Shade® LLC. All Rights Reserved.

 ROLL A SHADE

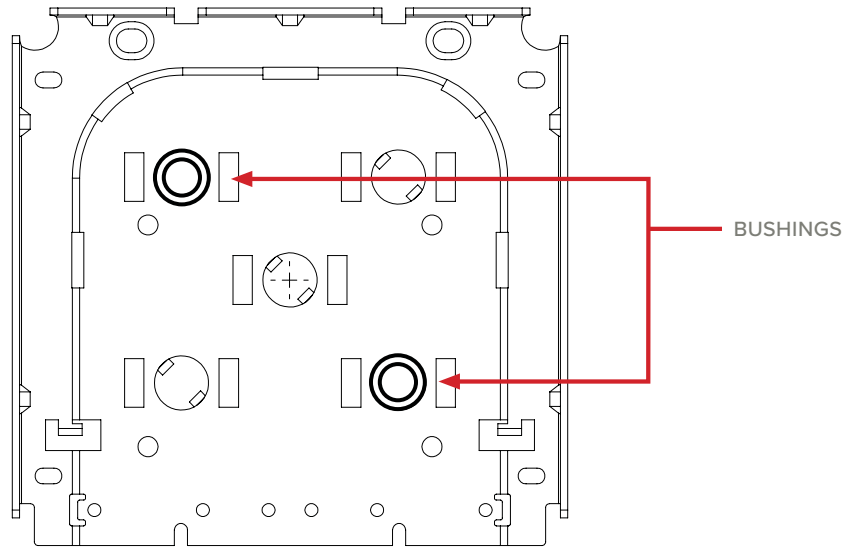
## EQUIPMENT LIST

HARDWARE INCLUDED				
				
Left Idle End Bracket	Right Control Motor Bracket	Shades + Motors	Bracket Covers (Optional)	Fascia

TOOLS	
LABEL	IMAGE OF TOOL
Drill	
Phillips Head & 6" Extension	
Hex Head Driver	
1/16" Drill Bit	

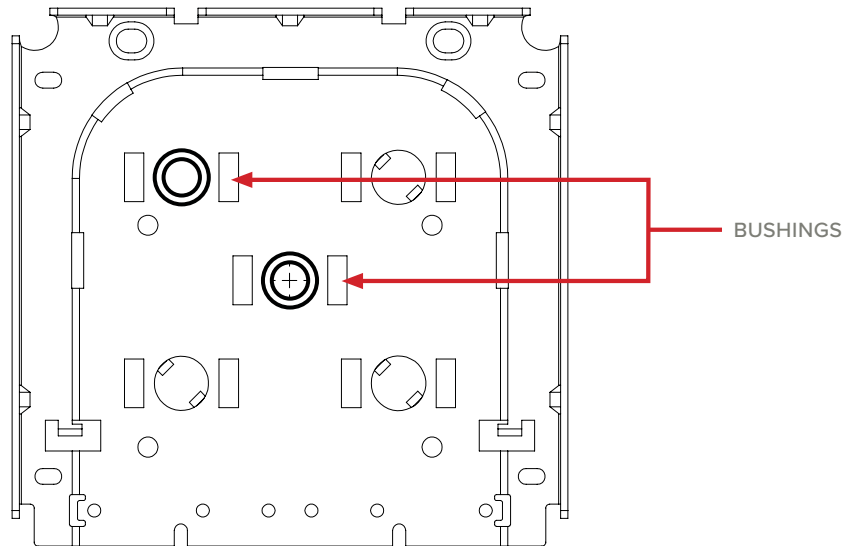
SCREWS		
LABEL	IMAGE OF SCREW	DRILL BIT TO USE
#8 X 1.5" Hex Head Wood Screw		1/16" Drill Bit
#8-18 x 1-1/2" Pan Phillips Tension Device Self Tap		N/A
#8-18 x 3/4" PH Pan HD Screw Tension Device Self Tap		N/A
#8-18 x 5/8" Hex Tek #2 Bit		N/A

### BUSHINGS FOR **DUAL** SHADE INSTRUCTIONS



- 2 bushings included per set
- Bushings are to secure idler pin end
- Bushings can be removed and relocated if needed

### BUSHINGS FOR **SINGLE** SHADE INSTRUCTIONS

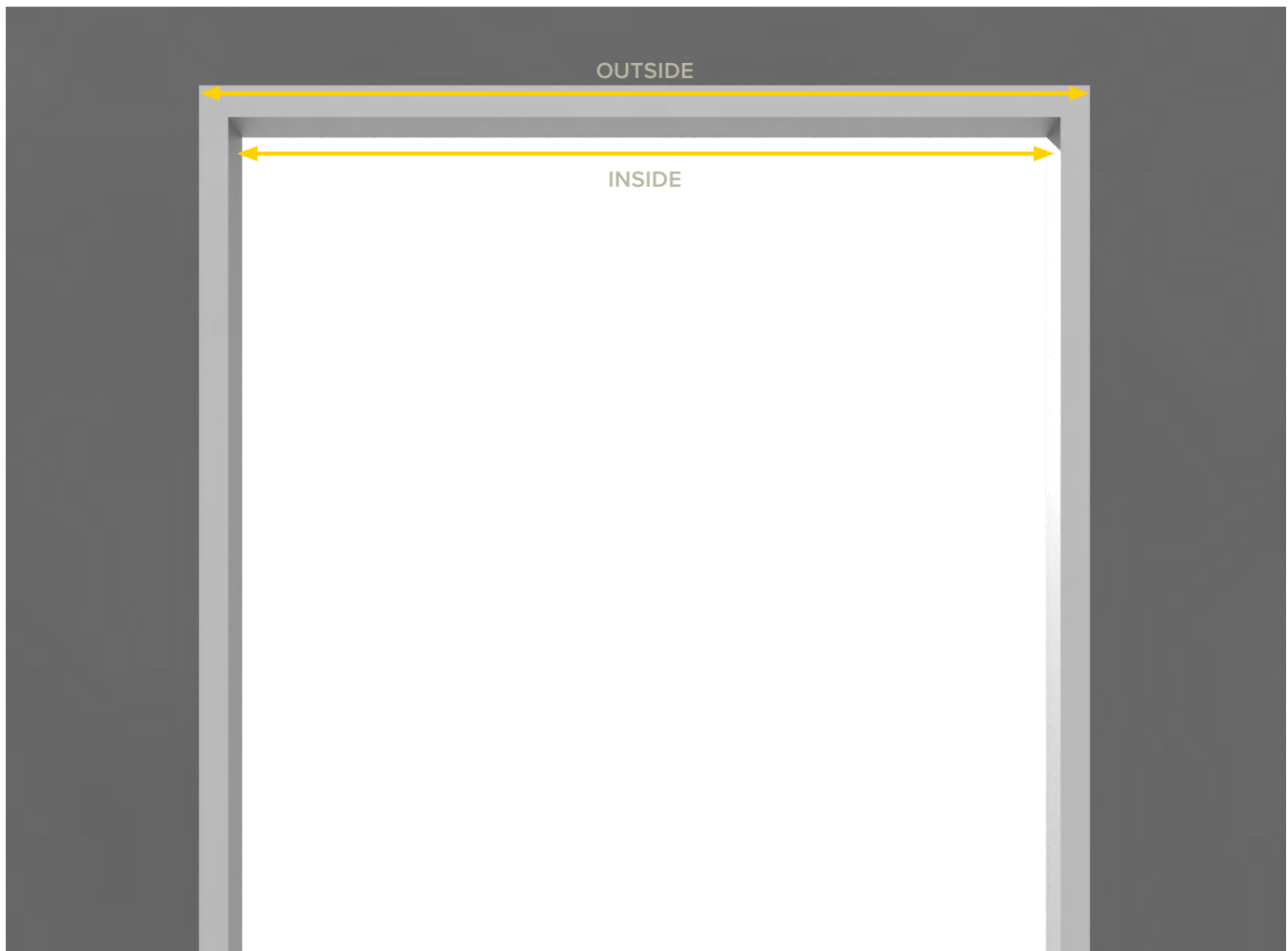


- 2 bushings included per set
- Bushings are to secure idler pin end
- The bushing located off center can be removed and relocated as needed (Spare Bushing)

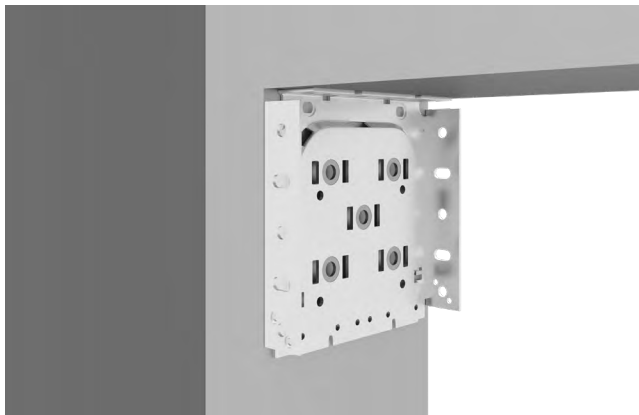
## 1 INSIDE OR OUTSIDE APPLICATION

**\*\*NOTE: ALL SHADES MAY BE PRE-PROGRAMMED TO SENSORS, REMOTES, AND/OR WALL SWITCHES UPON ARRIVAL\*\***

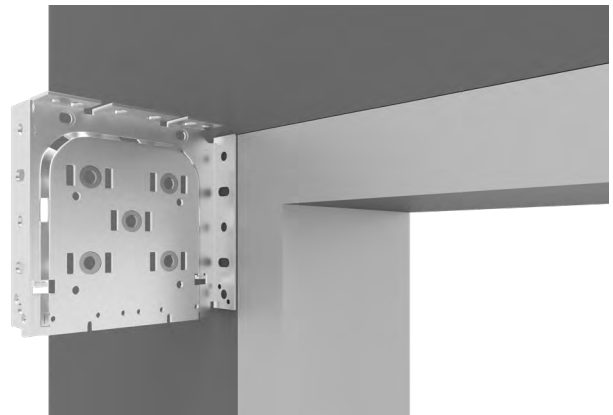
**\*\*NOTE: RIGHT CONTROL INSTALLATION\*\***



**A INSIDE MOUNT**

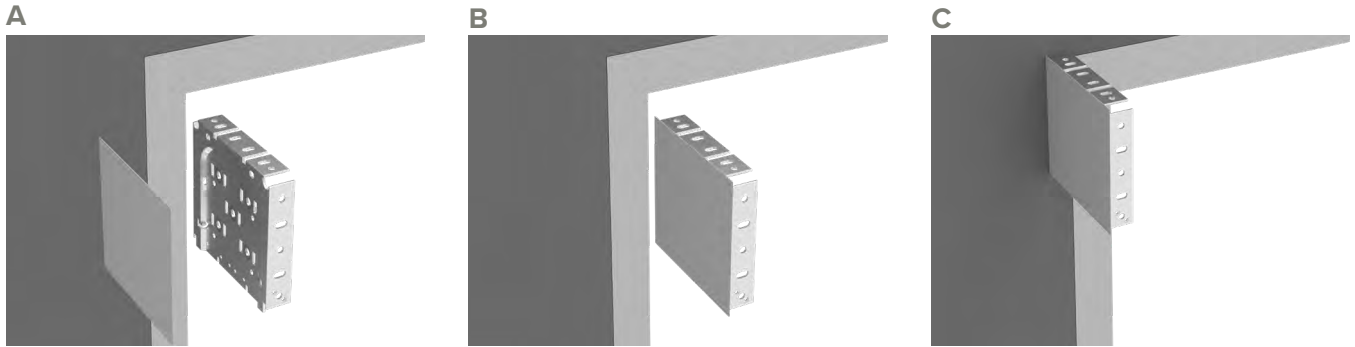


**B OUTSIDE MOUNT**



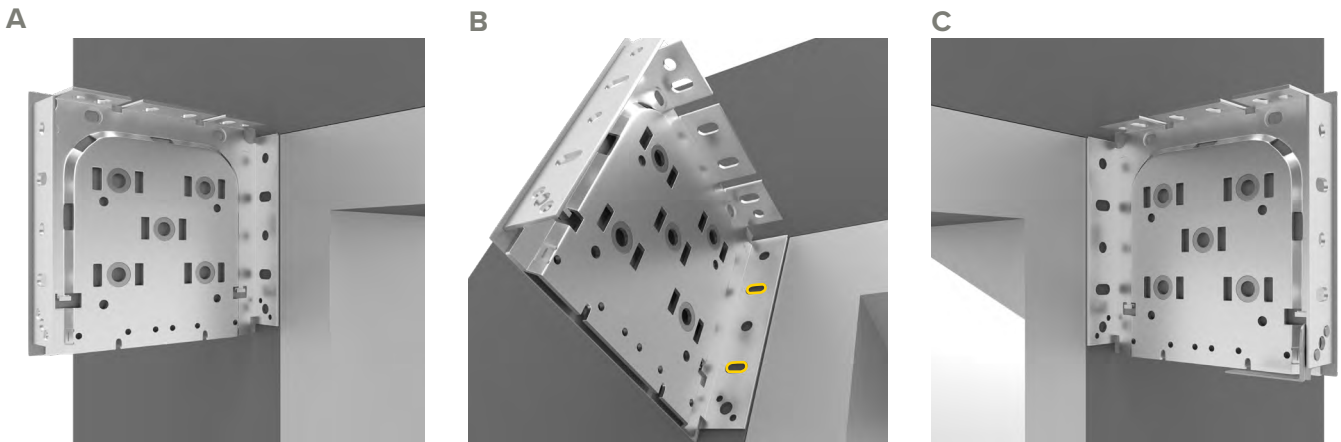
## 2 BRACKET COVERS INSTALLATION (OPTIONAL)

Install bracket covers before drilling in brackets.



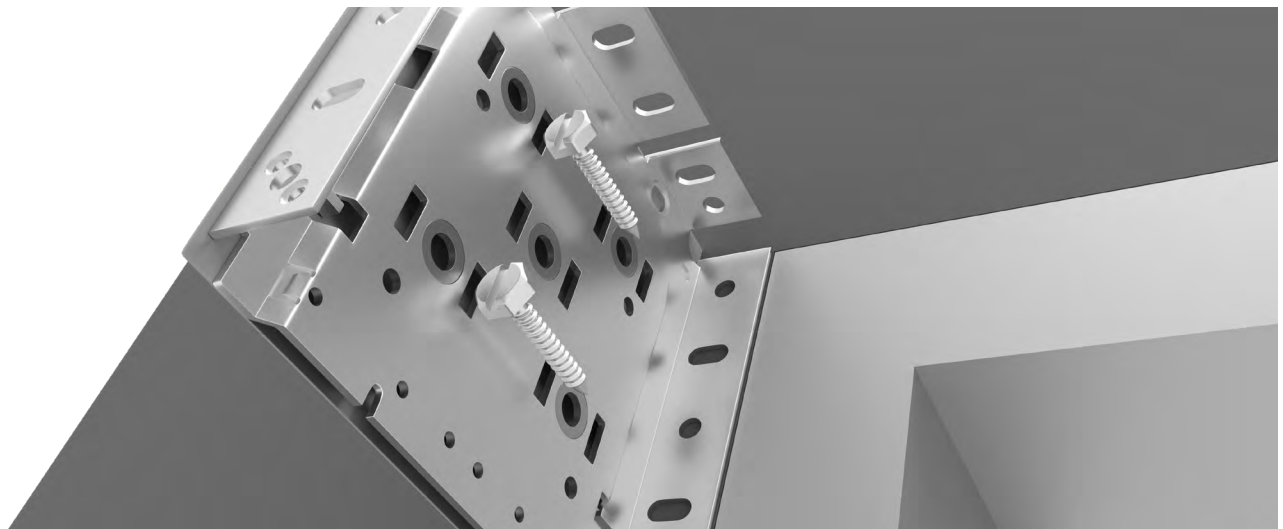
## 3 MOUNTING LOCATION

Place your first bracket in its mounting location and mark the screw holes. As seen in image 3B and repeat for other bracket.



## 4 SCREW INSTALLATION

Next, pre-drill marked screw holes. Install the brackets with the provided screws using the hex head driver.



## 5 ALIGNMENT

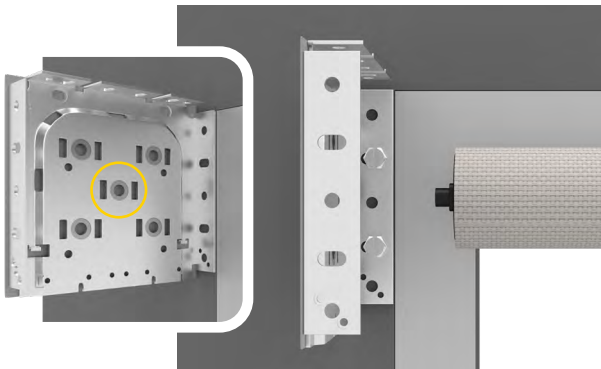
Check to make sure your brackets are level and aligned.



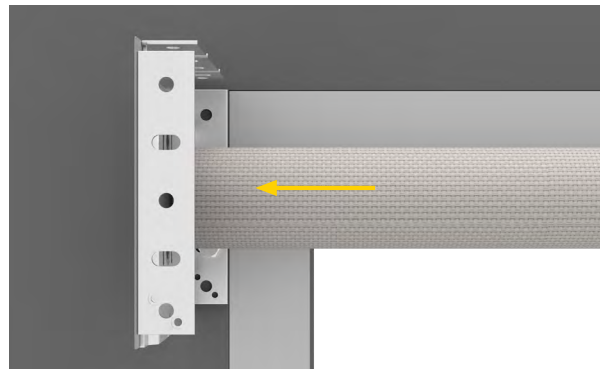
## 6 SHADE PIN END INSTALLATION

Depress pin end and slide onto bracket until pin engages in center hole. Press idler shaft all the way to the bracket.

A



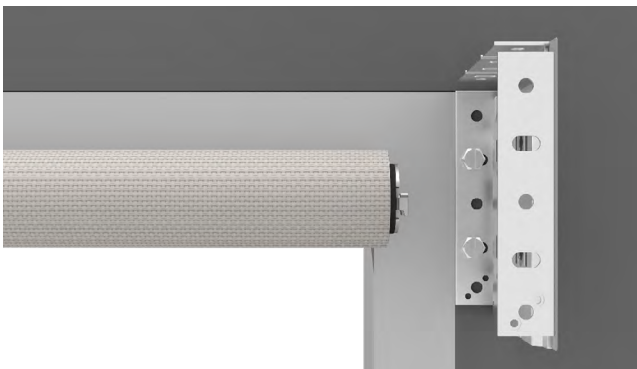
B



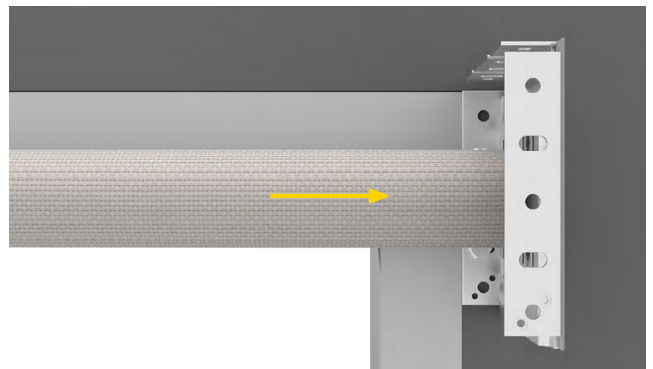
## 7 MOTOR END INSTALLATION

Lineup to motor bracket. Push motor into motor bracket.

A



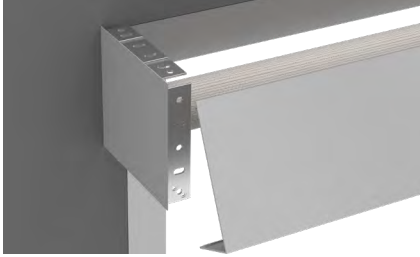
B



## 8 FASCIA INSTALLATION

Install bottom or top fascia.

### A BOTTOM FASCIA



### B TOP FASCIA



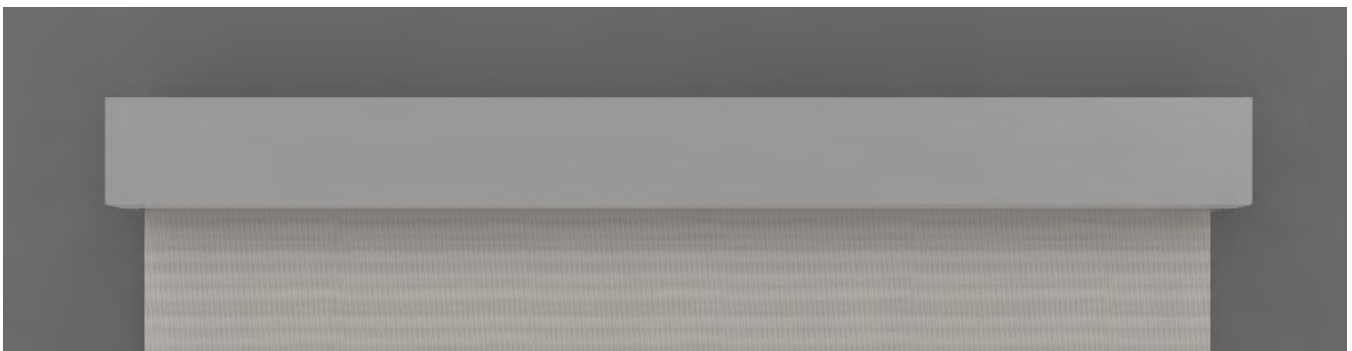
## 9 PLUG IN MOTOR

- Run motor power cord to nearest power outlet.
- Install wire tie pads and secure with zip ties to hold wire down.
- The path of the wire should be parallel with mullions and/or drop ceiling tiles ensuring the cable is neatly organized.
- Any modifications to the power cable should be done by a certified electrician to meet your city/state code requirements.



## 10 SHADE ADJUSTING (IF NECESSARY)

- Roll shade up and down to confirm hembar is level and material rolls up straight on center tube.
- If the hembar is not level, lower shade until you see the metal tube.
- Add layers of masking tape to the metal tube to the end that is too low until hembar is straight.
- If the material tracks to one side, lower shade until you see the metal tube.
- Add layers of masking tape to the metal tube to the end that is opposite the direction of tracking, until shade rolls up straight.



## 11 ADJUSTING LIMITS (IF NECESSARY)

See programming instructions based on the motor used for your application.