

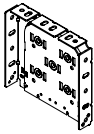
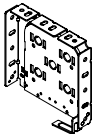
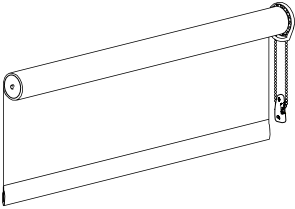


PLUS⁺ SHADE 5.5" BOTTOM & TOP FASCIA MANUAL INSTALLATION INSTRUCTIONS

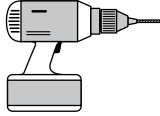
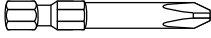


Rollashade.com
info@rollashade.com
951.245.5077

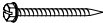

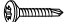

RAS-INS-MAR-PLS5.5-001 © Copyright Roll A Shade® LLC. All Rights Reserved.

 ROLL A SHADE

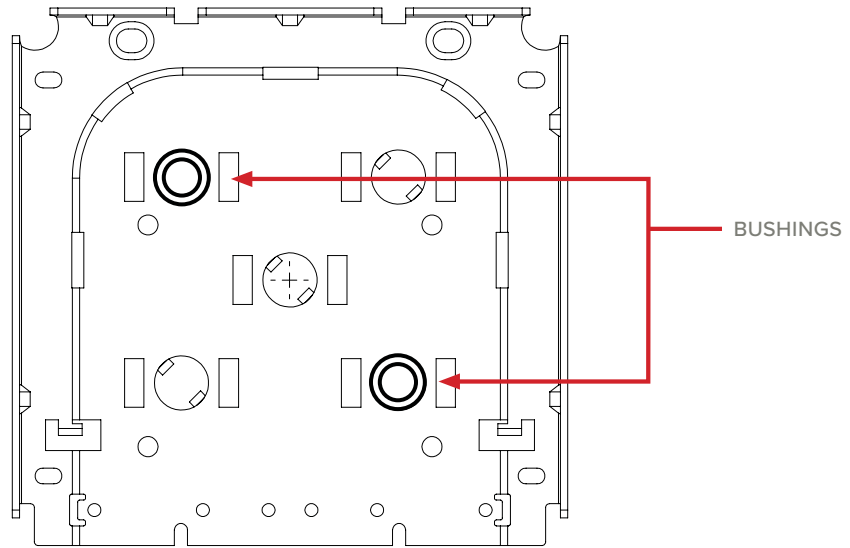
EQUIPMENT LIST

HARDWARE INCLUDED				
				
Left Idle End Bracket	Right Control Motor Bracket	Shade + Clutch + Chain + Tension Device	Bracket Covers (Optional)	Fascia

TOOLS	
LABEL	IMAGE OF TOOL
Drill	
Phillips Head & 6" Extension	
Hex Head Driver	
1/16" Drill Bit	

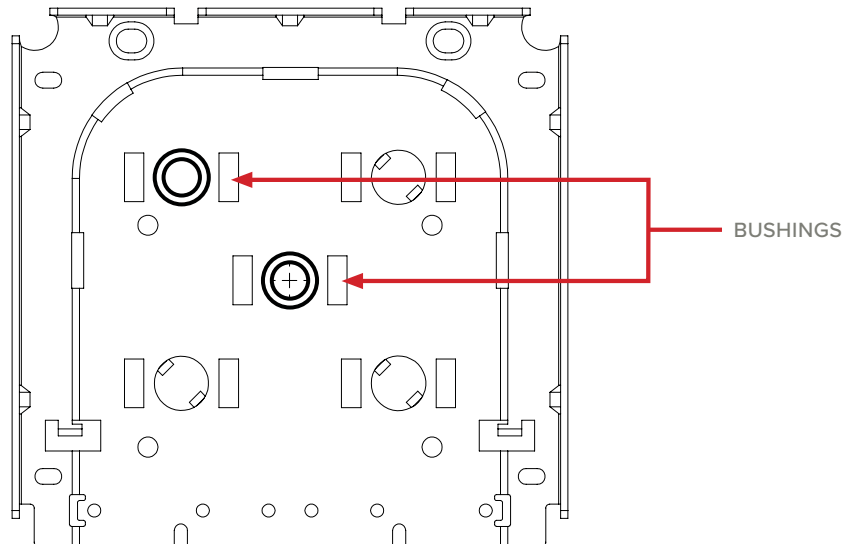
SCREWS		
LABEL	IMAGE OF SCREW	DRILL BIT TO USE
#8 X 1.5" Hex Head Wood Screw		1/16" Drill Bit
#8-18 x 1-1/2" Pan Phillips Tension Device Self Tap		N/A
#8-18 x 3/4" PH Pan HD Screw Tension Device Self Tap		N/A
#8-18 x 5/8" Hex Tek #2 Bit		N/A

BUSHINGS FOR **DUAL** SHADE INSTRUCTIONS



- 2 bushings included per set
- Bushings are to secure idler pin end
- Bushings can be removed and relocated if needed

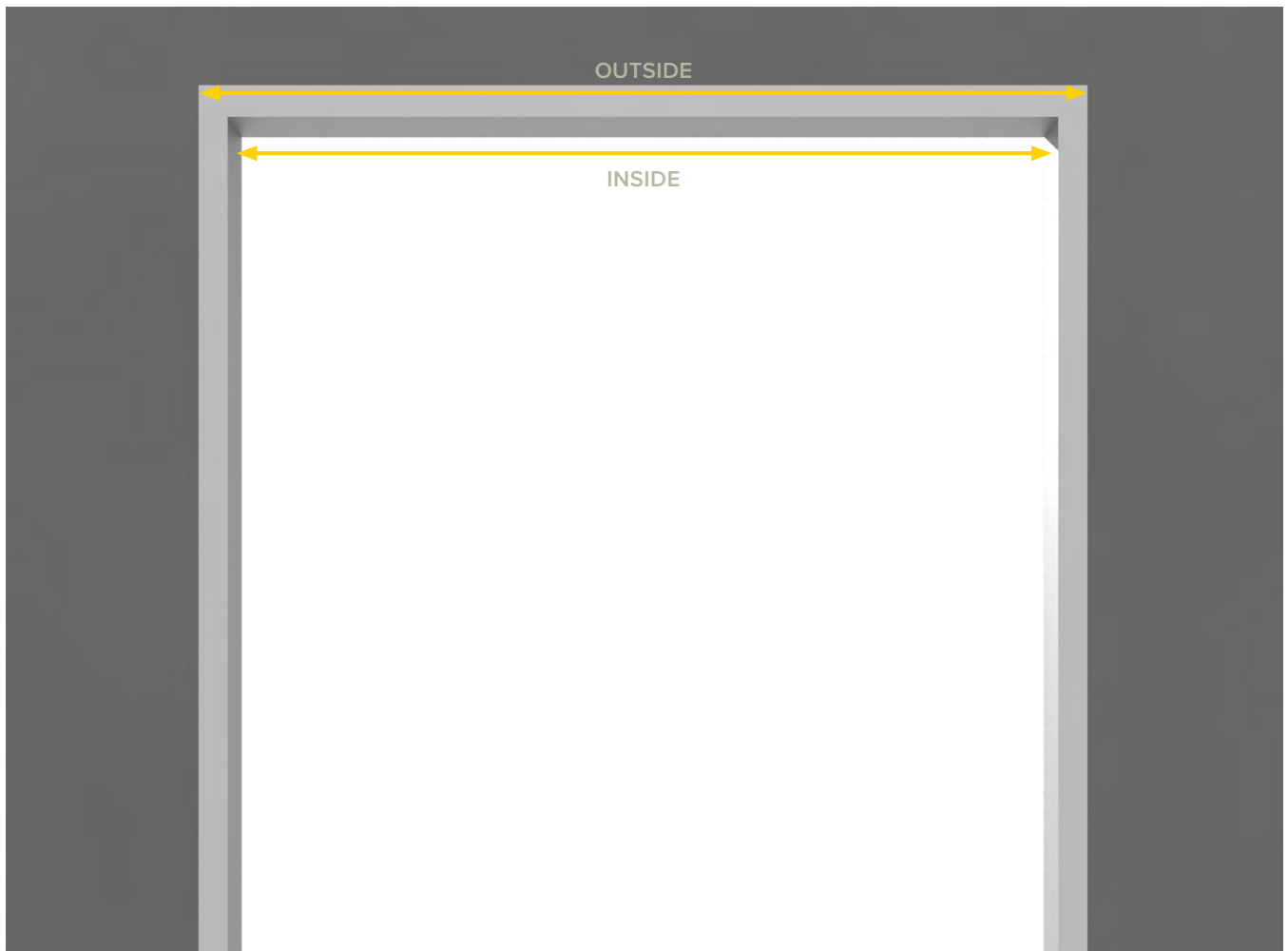
BUSHINGS FOR **SINGLE** SHADE INSTRUCTIONS



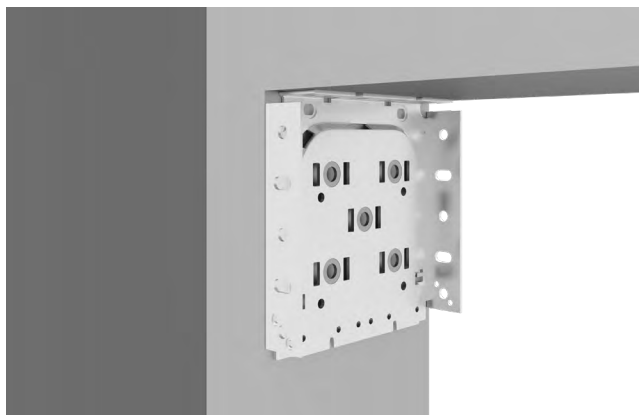
- 2 bushings included per set
- Bushings are to secure idler pin end
- The bushing located off center can be removed and relocated as needed (Spare Bushing)

1 INSIDE OR OUTSIDE APPLICATION

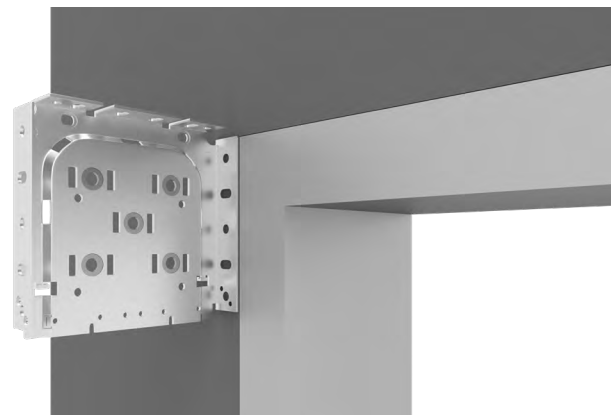
NOTE: RIGHT CONTROL INSTALLATION



A INSIDE MOUNT

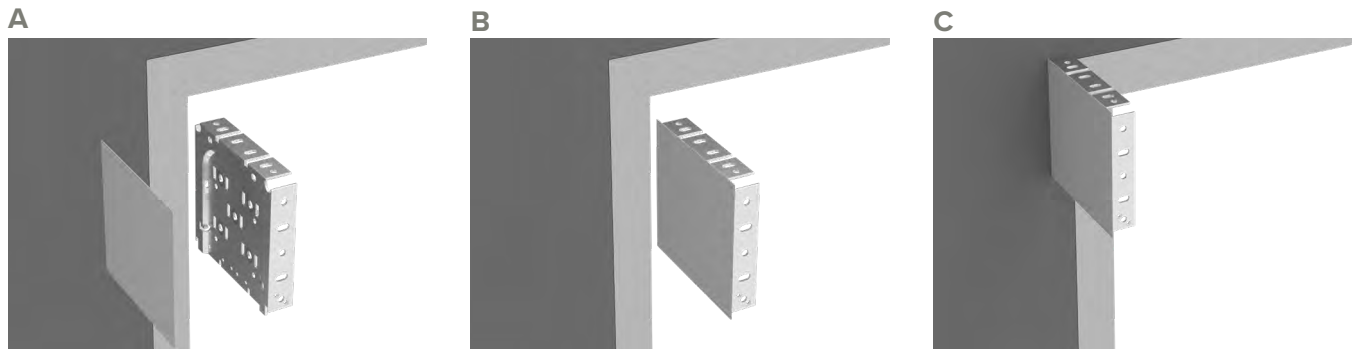


B OUTSIDE MOUNT



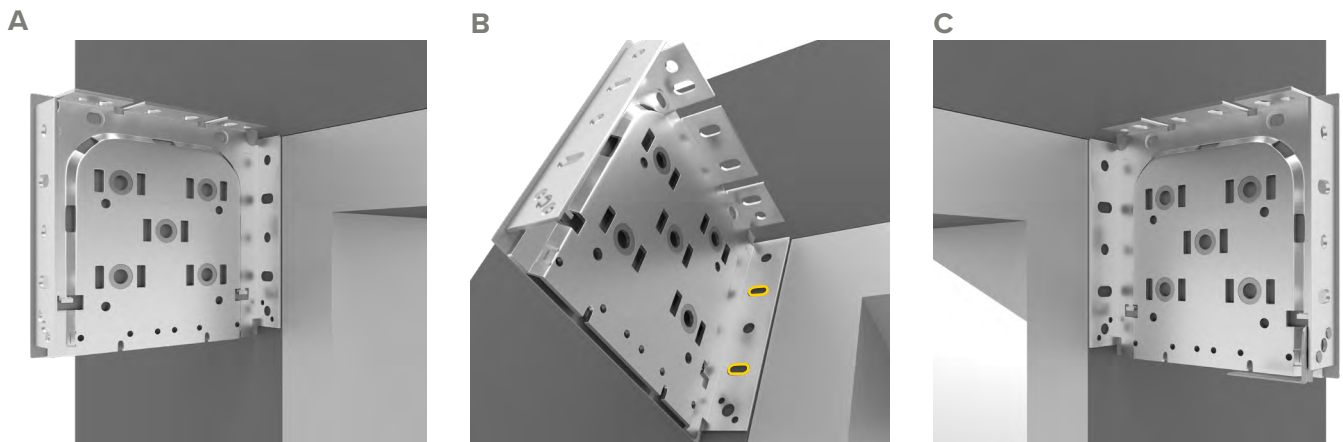
2 BRACKET COVERS INSTALLATION (OPTIONAL)

Install bracket covers before drilling in brackets.



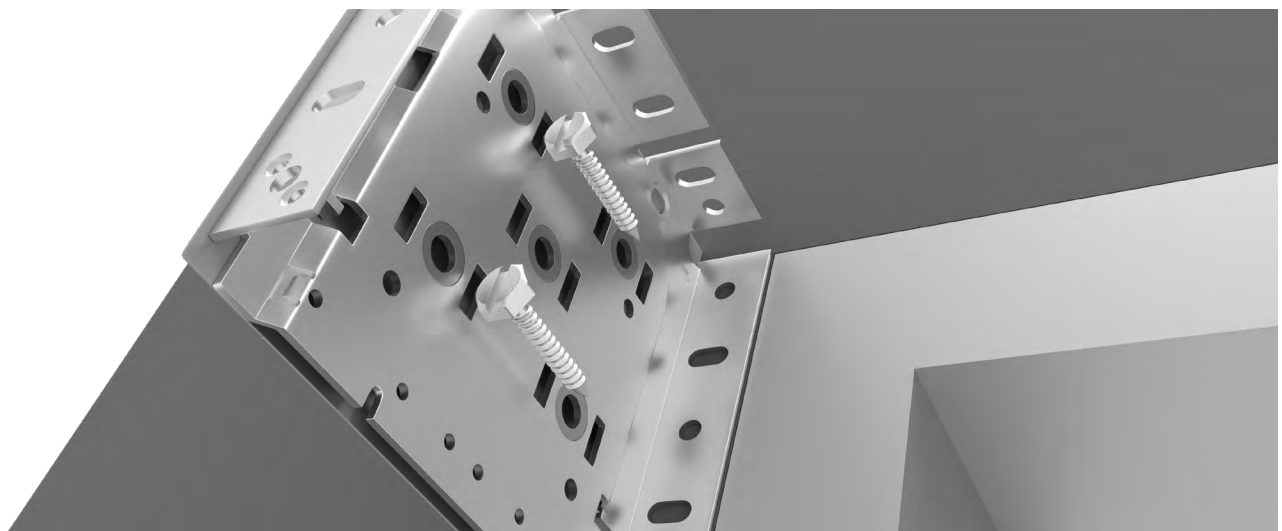
3 MOUNTING LOCATION

Place your first bracket in its mounting location and mark the screw holes. As seen in image 3B and repeat for other bracket.



4 SCREW INSTALLATION

Next, pre-drill marked screw holes. Install the brackets with the provided screws using the hex head driver.



5 ALIGNMENT

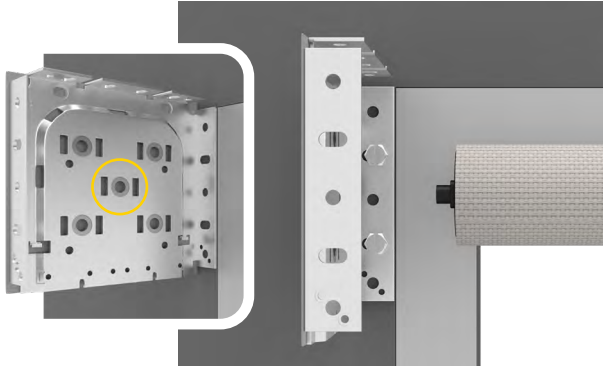
Check to make sure your brackets are level and aligned.



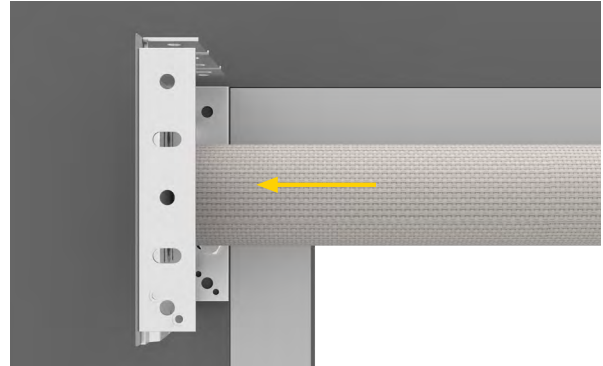
6 SHADE PIN END INSTALLATION

Depress pin end and slide onto bracket until pin engages in center hole. Press idler shaft all the way to the bracket.

A



B



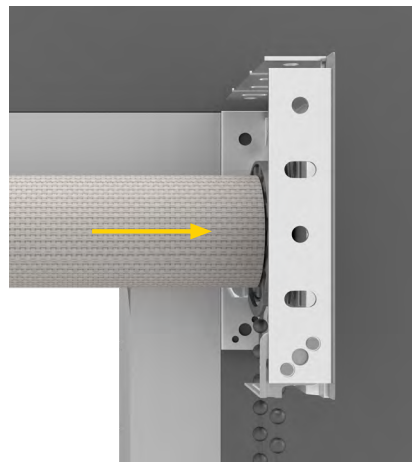
7 CLUTCH END & TENSION DEVICE INSTALLATION

Lineup to clutch bracket. Push clutch into clutch bracket. Install tension device.

A



B



C



8 FASCIA INSTALLATION

Install bottom or top fascia.

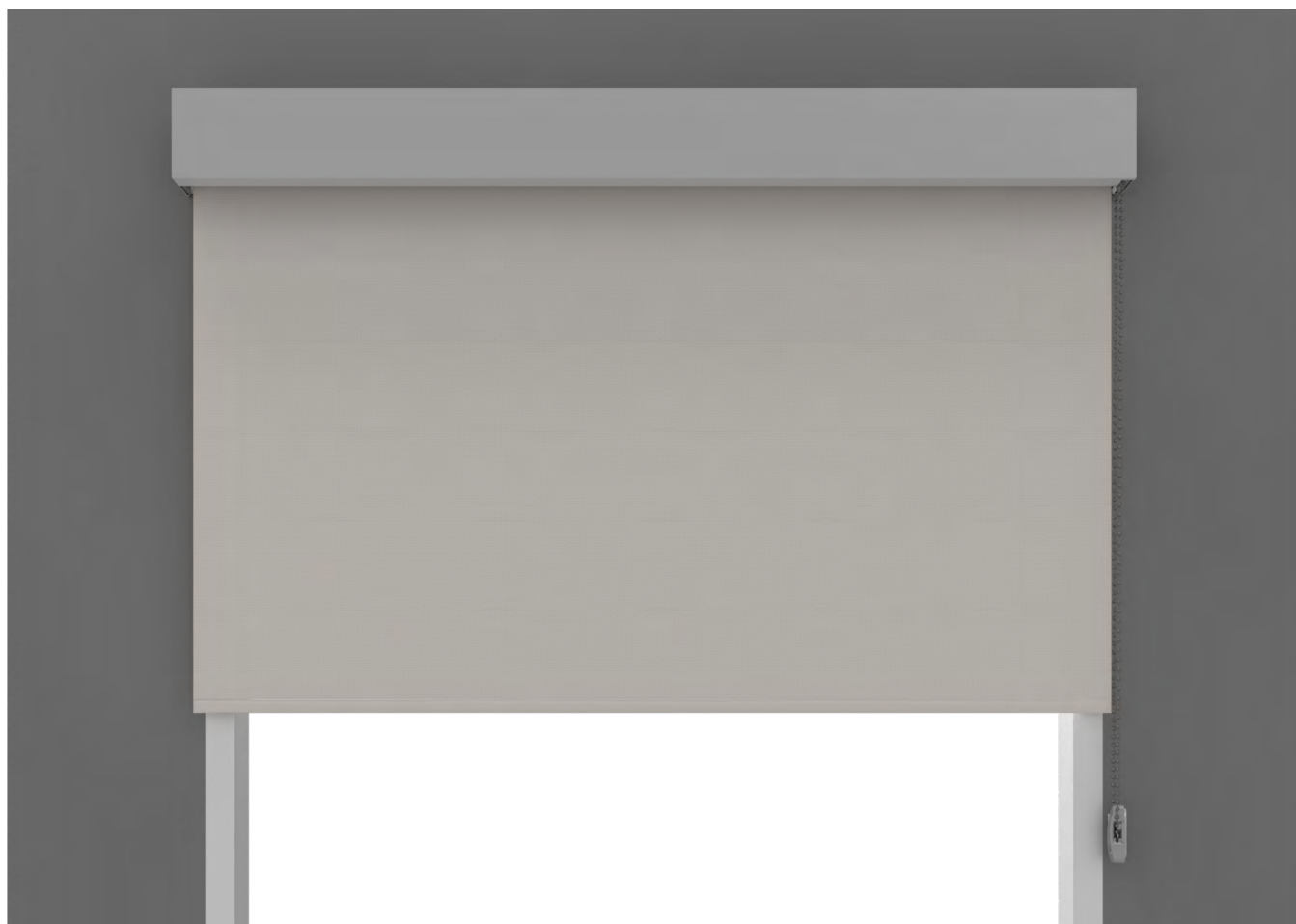
A BOTTOM FASCIA

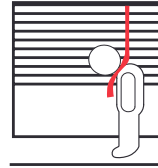


B TOP FASCIA



9 COMPLETED INSTALLATION





WINDOW BLIND CORD CAN STRANGLE YOUR CHILD

- Children can climb furniture to reach cords
- Move cribs and other furniture away.
- Keep all cords out of children's reach.
- Attach tension device to wall or floor.
- Fasteners provided with the tension device may not be appropriate for all mounting surfaces.
- Use appropriate anchors for the mounting surface conditions.



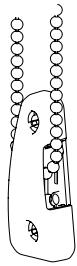
TENSION DEVICE INSIDE & OUTSIDE MOUNT INSTALLATION INSTRUCTIONS

Rollashade.com
info@rollashade.com
951.245.5077

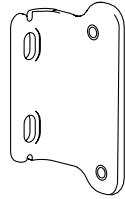
RAS-INS-MAR-TD-001-Rev1 © Copyright Roll A Shade® Inc. All Rights Reserved.

© ROLL A SHADE

HARDWARE INCLUDED



Tension Device + Chain



Tension Device Bracket

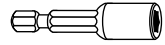


Short Screws

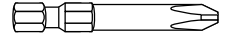


Screws

TOOLS REQUIRED



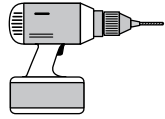
3/8" Hex Head



Phillips Head

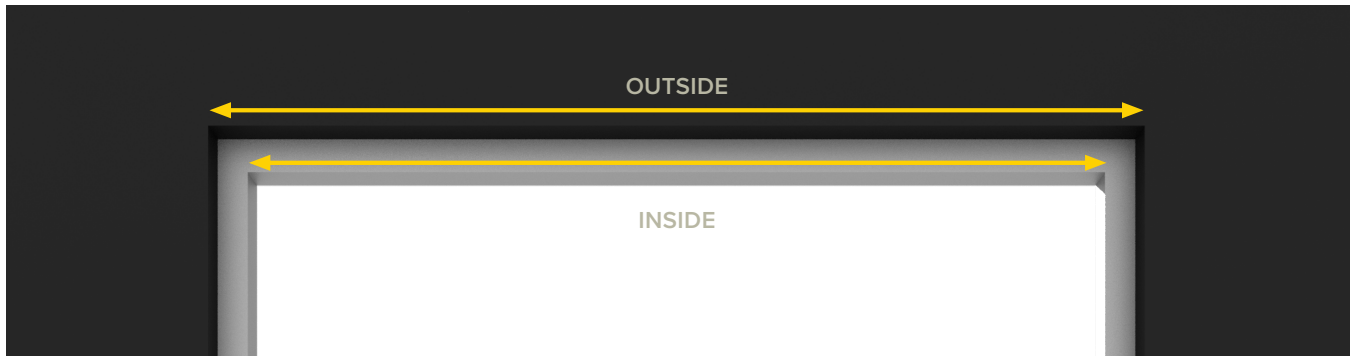


1/8" Drill Bit



Drill

INSIDE OR OUTSIDE APPLICATION



INSIDE



OUTSIDE

INSIDE MOUNT & TENSION DEVICE INSTALLATION

Pull the Chainhold down until the chain is fully tensioned (plunger will be fully raised). Screw device into wall.

A

KEEP
TENSION



B



C

SECURE
TENSION
DEVICE



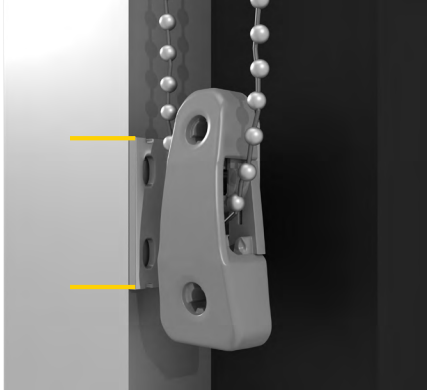
NOTE: Please make sure shade operates smoothly.

OUTSIDE MOUNT & TENSION DEVICE INSTALLATION

With provided screws, install bracket first with large screws (use Chainhold marked screw hole locations as reference). Pull the Chainhold down until the chain is fully tensioned (plunger will be fully raised). Install Chainhold into bracket with small screws.

A

PULL CHAIN
DOWN &
MARK
LOCATION



B

REMOVE
TENSION
DEVICE
& DRILL



C



D



E

PLACE
TENSION
DEVICE
ON
BRACKET



F

SECURE
TENSION
DEVICE



NOTE: Please make sure shade operates smoothly.



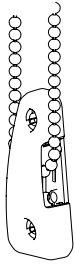
TENSION DEVICE FLOOR INSIDE & OUTSIDE MOUNT INSTALLATION INSTRUCTIONS

Rollashade.com
info@rollashade.com
951.245.5077

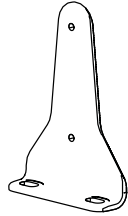
RAS-INS-MAR-TD-002-Rev1 © Copyright Roll A Shade® Inc. All Rights Reserved.

© ROLL A SHADE

HARDWARE INCLUDED



Tension Device + Chain



Tension Device Floor Bracket

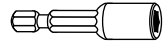


Short Screws

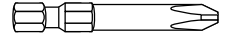


Screws

TOOLS REQUIRED



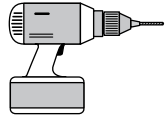
3/8" Hex Head



Phillips Head

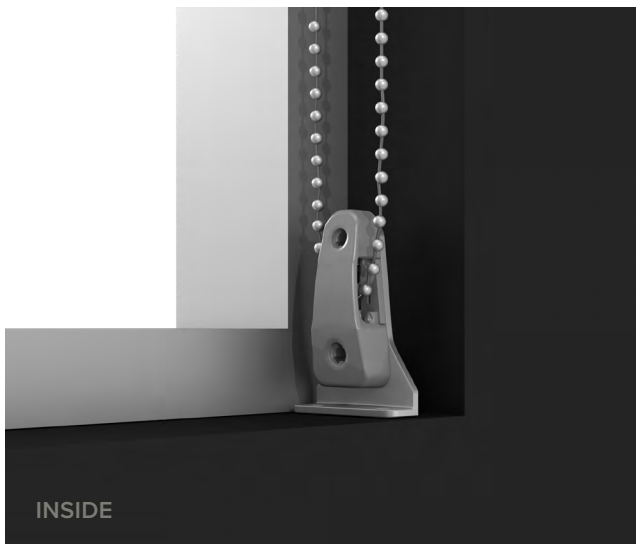
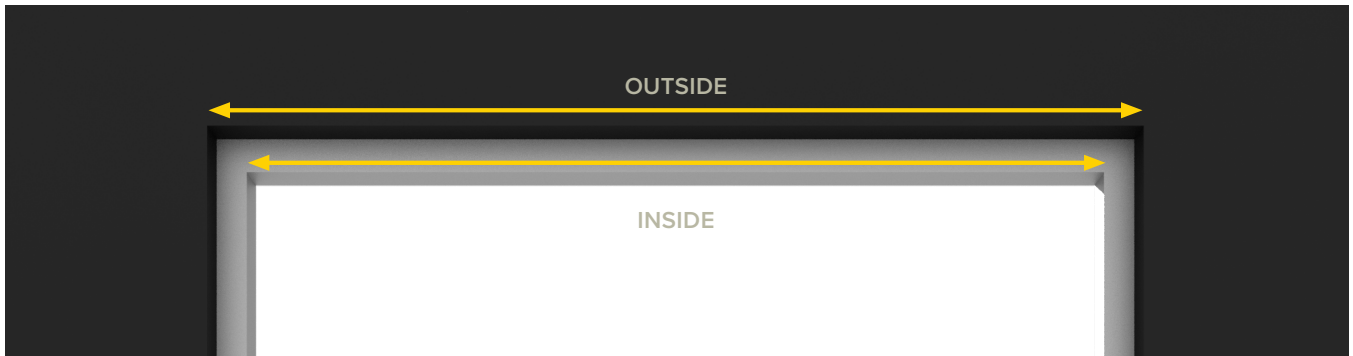


1/8" Drill Bit



Drill

INSIDE OR OUTSIDE APPLICATION



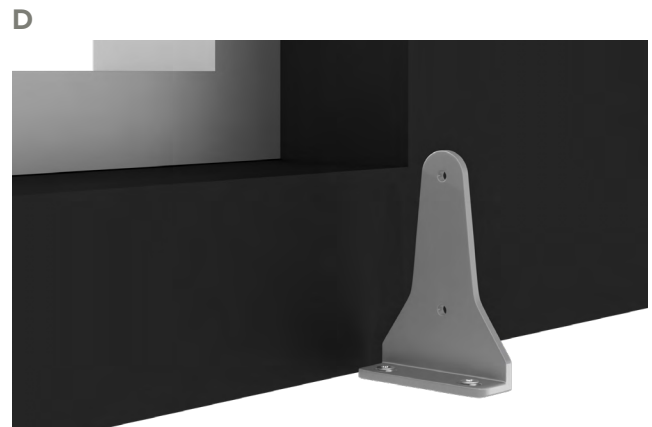
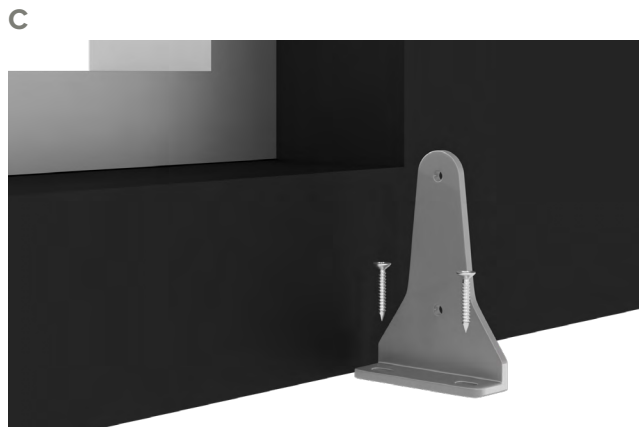
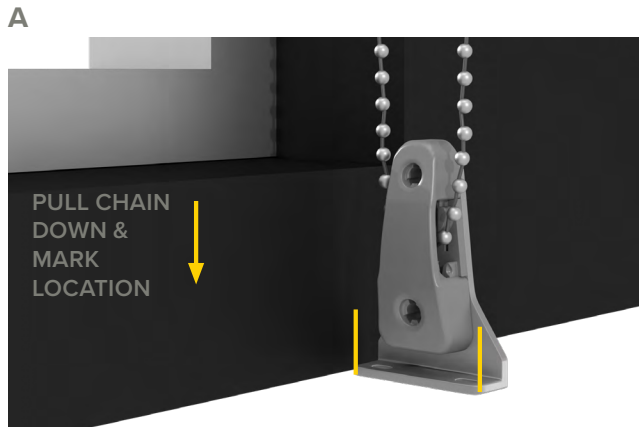
INSIDE



OUTSIDE

OUTSIDE MOUNT & TENSION DEVICE INSTALLATION

With provided screws, install bracket first with large screws (use Chainhold marked screw hole locations as reference). Pull the Chainhold down until the chain is fully tensioned (plunger will be fully raised). Install Chainhold into bracket with small screws.



NOTE: Please make sure shade operates smoothly.