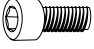
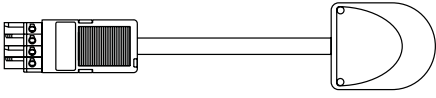
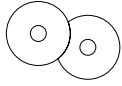

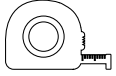
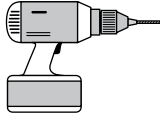


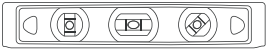
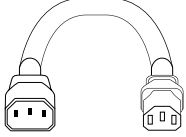

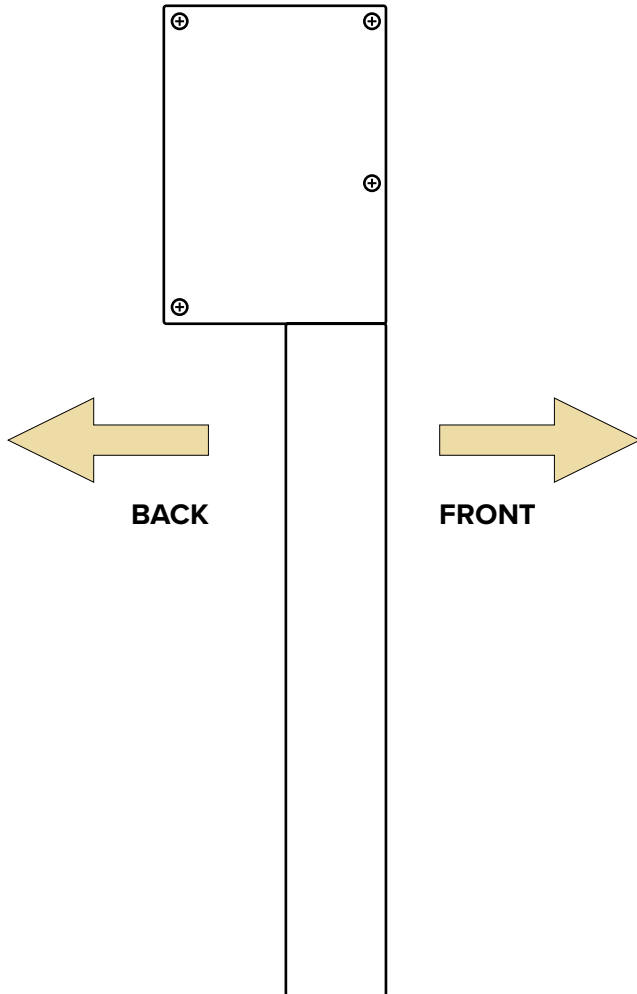


RAS - Installation Instructions ZipShade Slim 100

Hardware Included	Tools Required		
 <p>3 mm allen screw</p>  <p>Wago whip to extension cord for temporary power</p>	 <p>Fender washer shims</p>  <p>3/16" Drill bit</p>  <p>Measuring tape</p>	 <p>Drill</p>  <p>Two man install</p>  <p>.5" Drill bit</p>  <p>Level</p>	 <p>Extension cord</p>  <p>H3 hex bit</p>

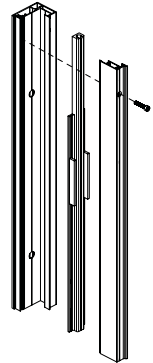
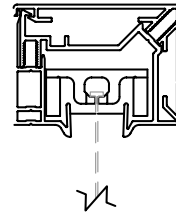
Note: Side view direction of head box



1. Disassemble 3-Part Side Channels

Remove 3 mm Allen screws from front of side channel. Once all screws are removed, take off front cover and remove the inner rail.

DO NOT LOSE SCREWS!



2. Drill Out Holes

Drill out **INNER WALL ONLY** of side channel with 1/2" drill bit every 20". Then drill pilot hole through outer wall.



3. Lifting Box Into Opening

a.) From working position, insert both side Channel A and Channel B into headbox locking pins. Using both workers, grab each side channel and angle, lift headbox into opening.

Channel A - Left



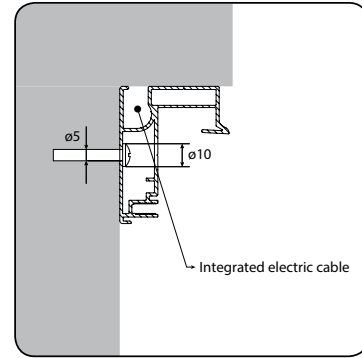
Channel B - Right



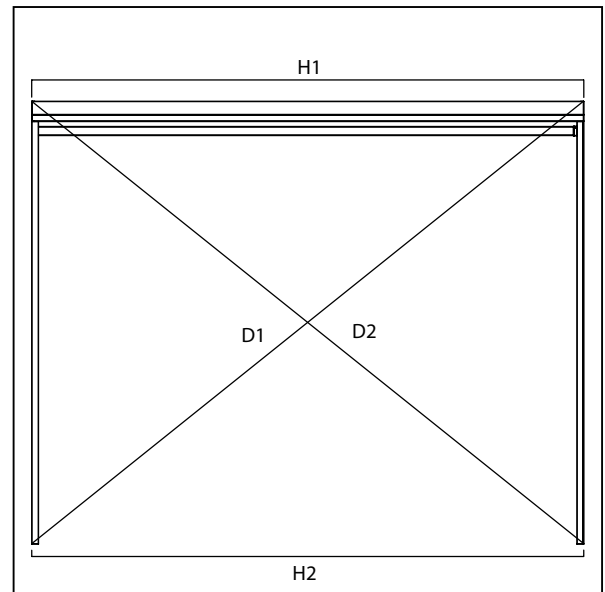
b.) Once headbox and side channels are resting in opening, use level on underside of headbox to make sure level and is not more or less than 5/8" below the unfinished framing. **(Headbox needs to be level with finished drywall).** Use fender shims under side channel to raise low side(s).



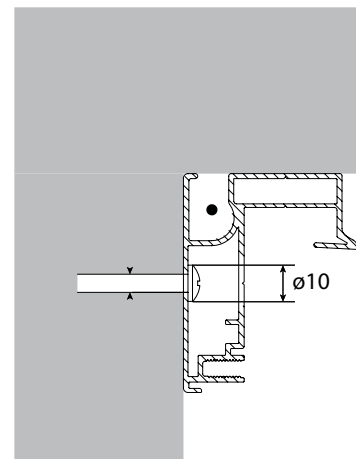
c.) Once level Insert screw in top side channel drilled holes on each side channel using fender shims if necessary, for tight fit to framing. Using a level, make sure Side Channel A and B are plumb front and back. Prior to securing, double check width at the top and bottom of the side channel. When width is verified and Side Channel B is plumb, insert screw in bottom hole.



INSIDE MOUNT



d.) Continue affixing channels through remaining holes. Using fender shims as necessary for tight fit against framing.



4. Inserting the Zipper Into the Inner Rail

e.) Plug shade into temporary power using wago whip. Lower shade 8-10 inches.

f.) Inner rails are specific to each side channel. The top of the inner rail has a "V" shape cut into it. The bottom of the inner rail has a notch. The notch should face the installer when installing - the notch will determine whether the rail belongs in the right or left side channel.

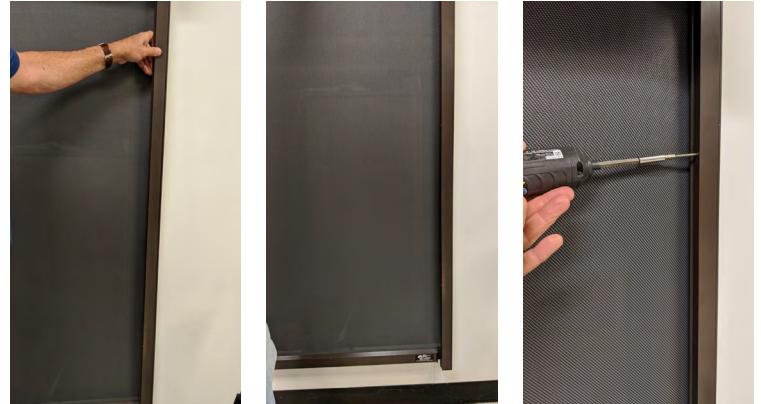


g.) Slide zipper into the inner rail from bottom to top. To secure the inner rail inside the side channel, hook the foam guides behind the lip in the side channel. At the bottom of the inner rail, hook the notch behind the clip. This will lock the inner rail into position.



5. Enclosing the Side Channels

h.) With shade in the down position insert the front part of the channel into the installed channel. Insert screws back into the side channel to secure.



Roll shade up first. Make sure bumpers are in the correct position behind side channels.

CORRECT VS INCORRECT



6. Programming

- i.) Please see corresponding programming Instructions.
- j.) Use supplied wago whip to power shade through extension cord.
- k.) Upper stop must have bottom rail completely recessed into headbox.
- l.) Bottom stop must allow for 1/2" - 5/8" tile.