

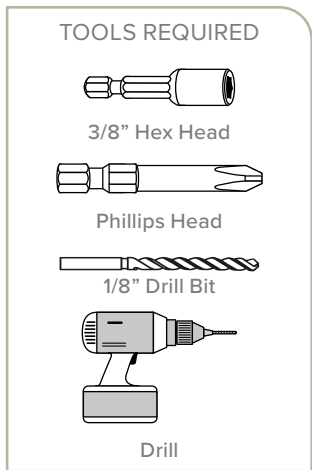
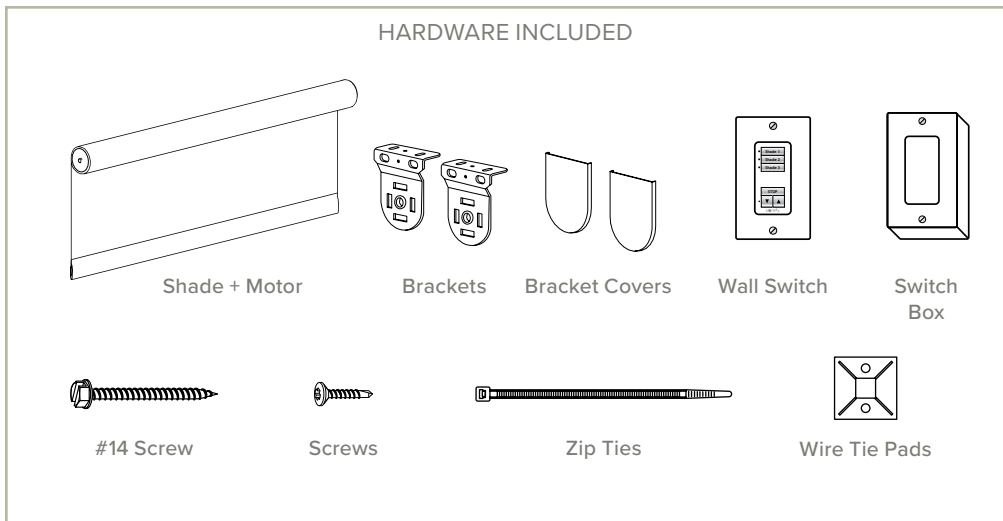
PLUS⁺ SHADE OPEN ROLL

INSTALLATION INSTRUCTIONS

Rollashade.com
info@rollashade.com
951.245.5077

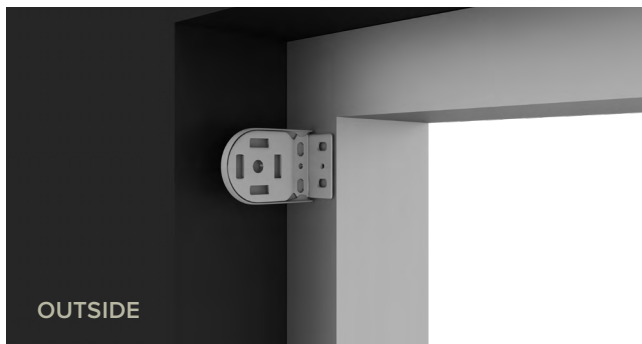
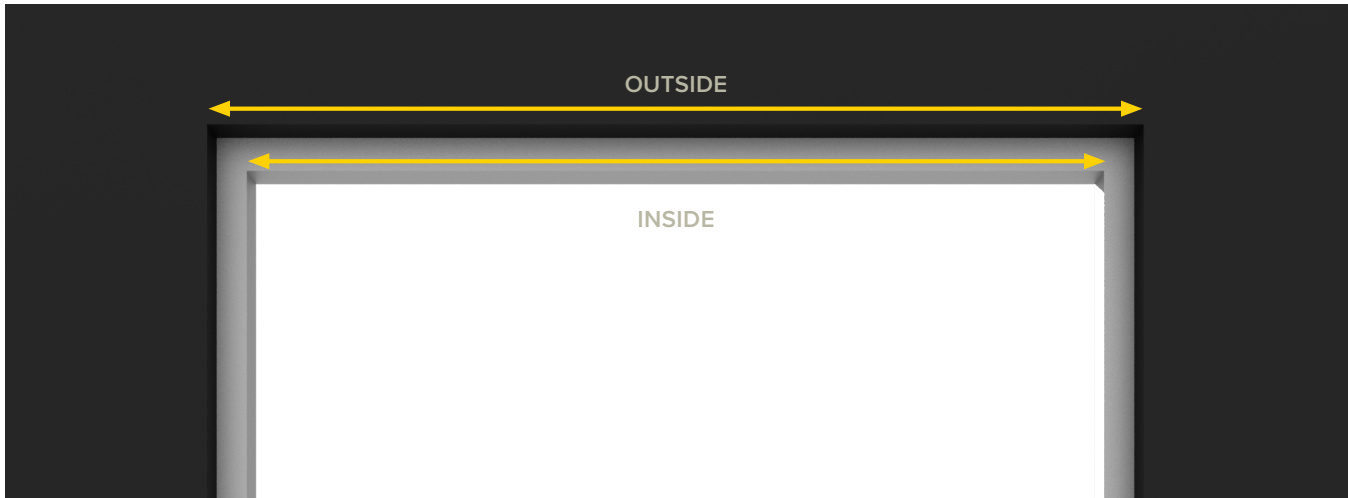
© Copyright Roll A Shade® Inc. All Rights Reserved.

 ROLL A SHADE



1 INSIDE OR OUTSIDE APPLICATION

****NOTE: ALL SHADES MAY BE PRE-PROGRAMMED TO SENSORS, REMOTES, AND/OR WALL SWITCHES UPON ARRIVAL****



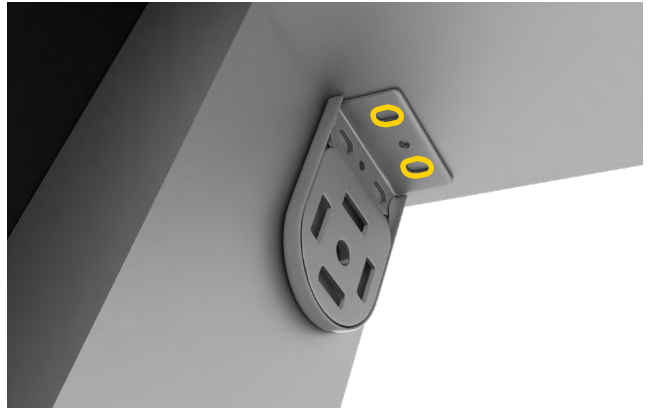
2 MOUNTING LOCATION

Place your first bracket in its mounting location and mark the screw holes. Place your second bracket in its mounting location and repeat the process.

A.



B.

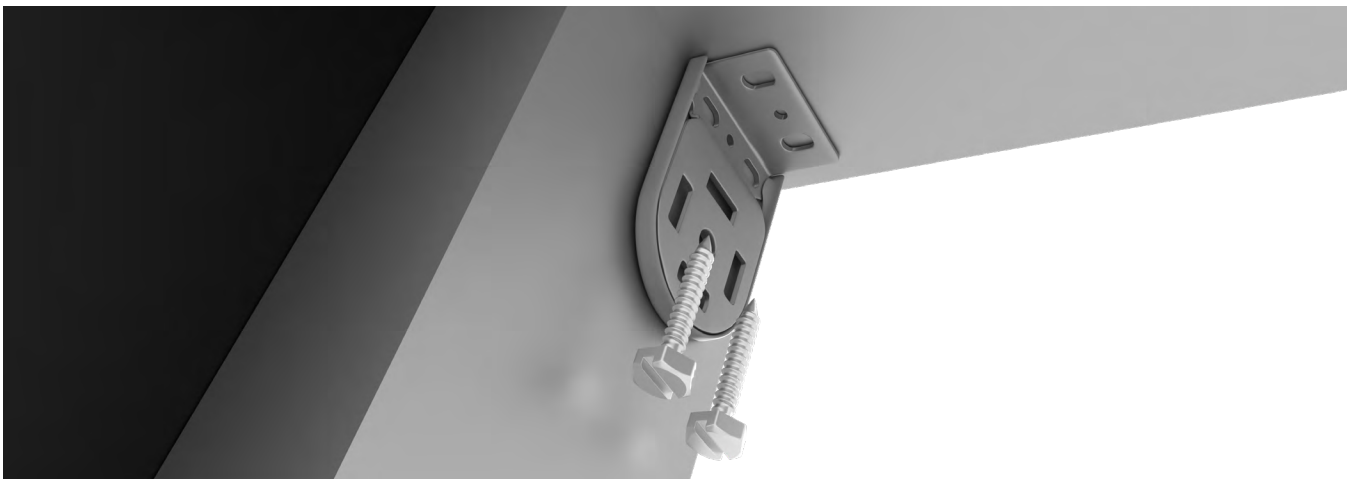


C.



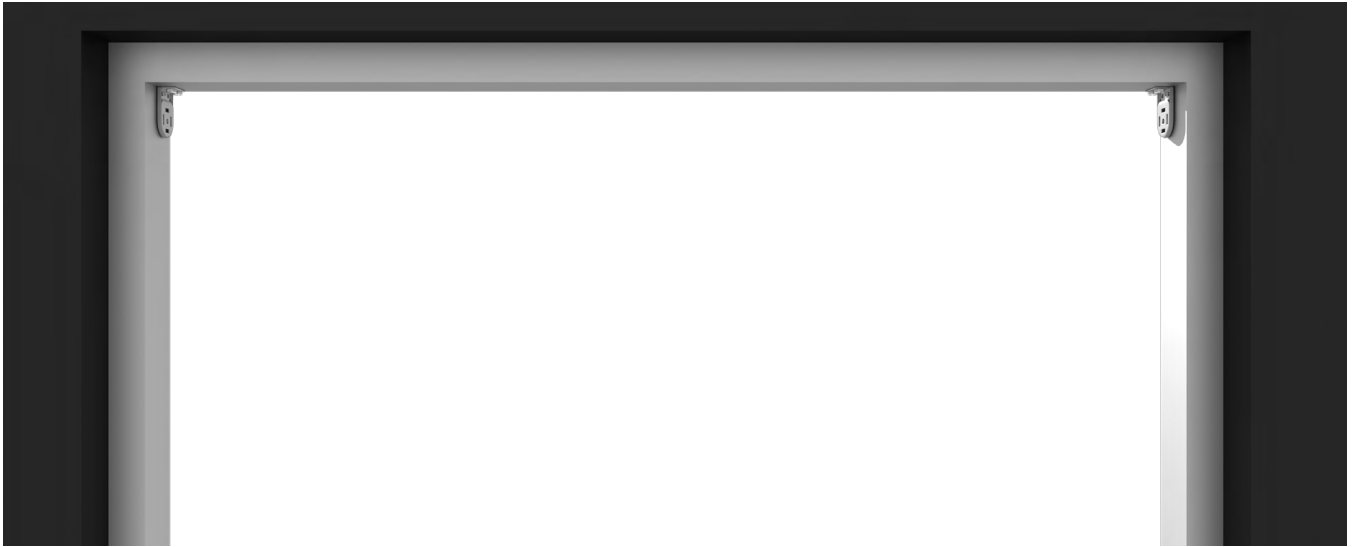
3 SCREW INSTALLATION

Next, pre-drill your screw holes using a 1/8" drill bit. Install the brackets with the provided screws using the 1/4" hex head driver.



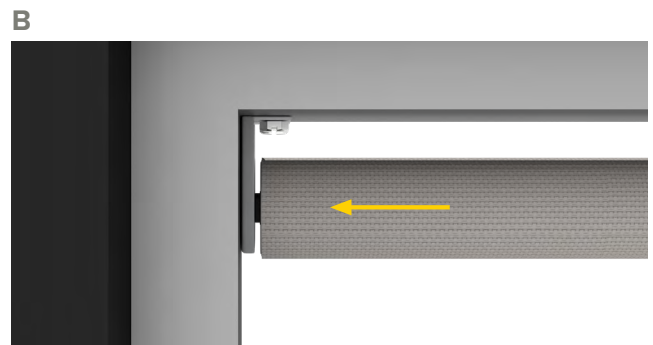
4 ALIGNMENT

Check to make sure your brackets are level and aligned.



5 SHADE PIN END INSTALLATION

Depress pin end and slide onto bracket until pin engages in center hole. Press idler shaft all the way to the bracket.



6 MOTOR END INSTALLATION

Lineup to motor bracket. Push motor into motor bracket.

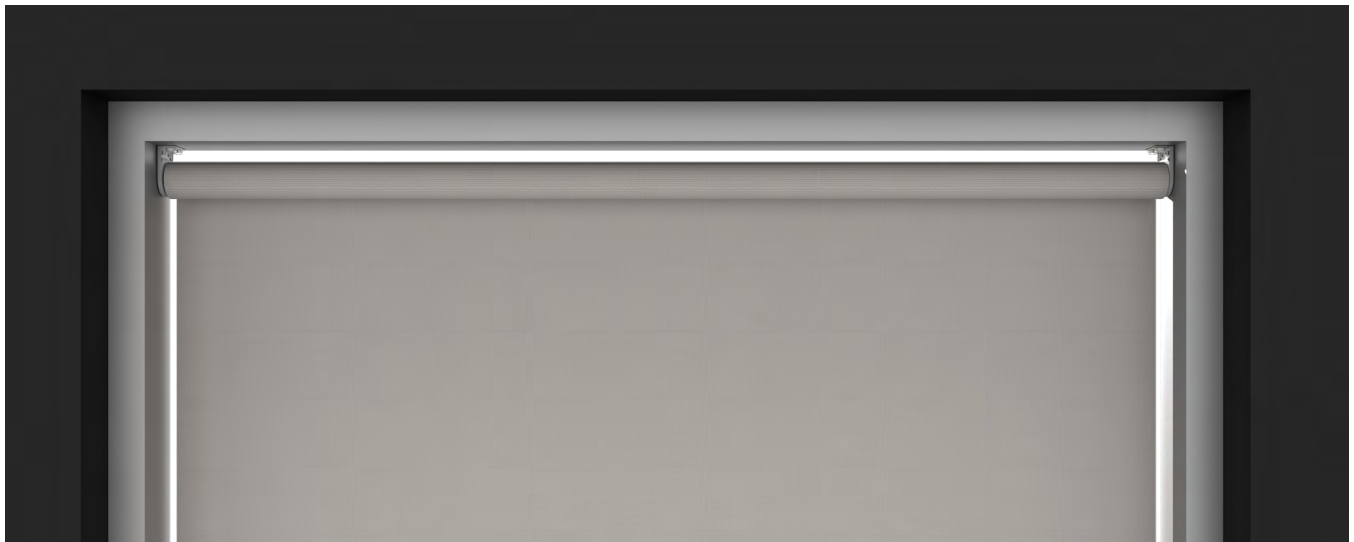


7 PLUG IN MOTOR

- Run motor power cord to nearest power outlet.
- Install wire tie pads and secure with zip ties to hold wire down.
- The path of the wire should be parallel with mullions and/or drop ceiling tiles ensuring the cable is neatly organized.
- Any modifications to the power cable should be done by a certified electrician to meet your city/state code requirements.

8 SHADE ADJUSTING (IF NECESSARY)

- Roll shade up and down to confirm hembar is level and material rolls up straight on center tube.
- If the hembar is not level, lower shade until you see the metal tube.
- Add layers of masking tape to the metal tube to the end that is too low until hembar is straight.
- If the material tracks to one side, lower shade until you see the metal tube.
- Add layers of masking tape to the metal tube to the end that is opposite the direction of tracking, until shade rolls up straight.



9 ADJUSTING LIMITS (IF NECESSARY)

See programming instructions based on the motor used for your application.