


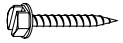

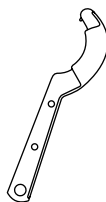
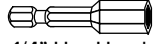
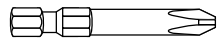

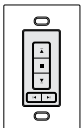

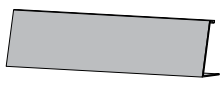

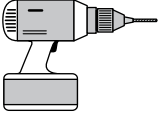


RAS - Installation Instructions Plus+ Shade 4" Bottom Fascia Motorized UL

Hardware Included					Tools Supplied	Tools Required
						
Motor Bracket	Pin End Termination Bracket	1/4" x 5/8" Self Tapping Screws	1/4" x 1" Wood Screws (If requested)	Drywall Anchors		Phillips Head 
						Drill
Remote (Optional)	Wall Switch (Optional)	Wire Tie Kit	Fascia	Bracket Cover (Optional)		

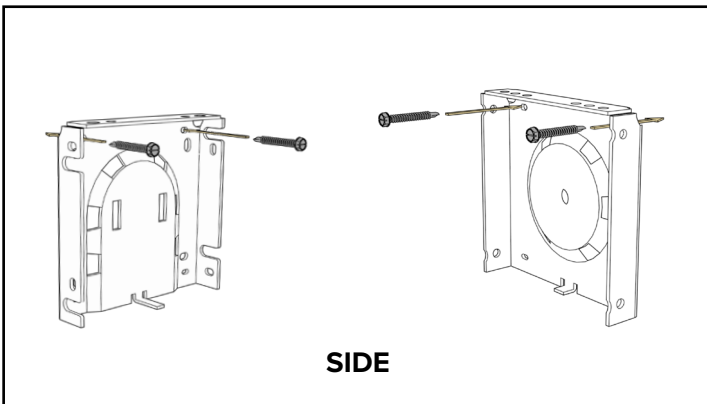
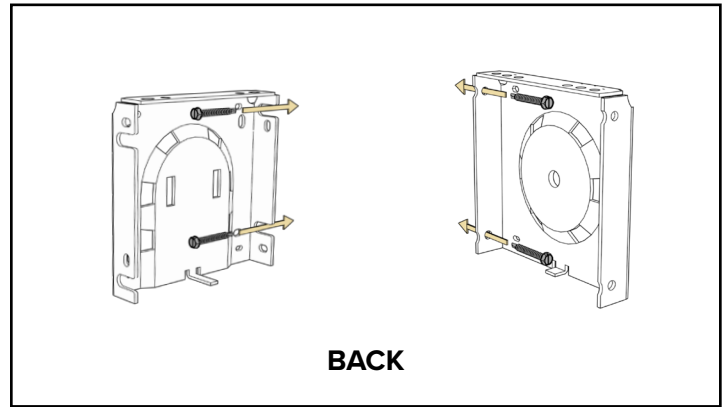
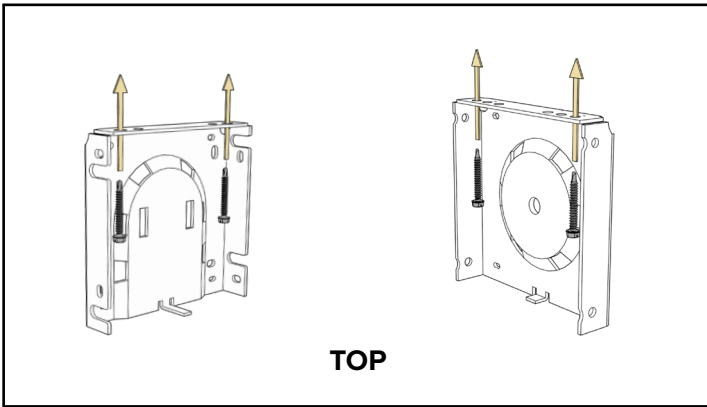
1. Install Bracket

Install motor bracket. Install all single bearing link brackets. Then, install pin end termination bracket. Make sure ALL brackets are level.

Note: Brackets may be rotated for side mount

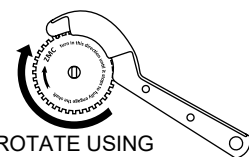
Note: If screws do not secure into stud, use supplied drywall anchors.

Note: Must be at least two screws in every bracket



Pro Tip

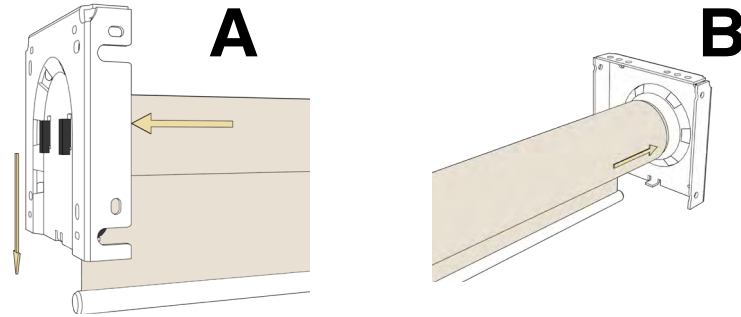
All pin ends & links are retractable to rotate, simply follow instructions on pin end or link. Wrench provided for your convenience.



ROTATE USING
 ADJUSTMENT
 WRENCH TO RELEASE

2. Install the Shade

Insert the cross end of the motor into the bracket (A). Insert the basic pin end into the pin end termination bracket (B). Insert gear pin into link bracket and release pin using adjustment wrench to release (C).



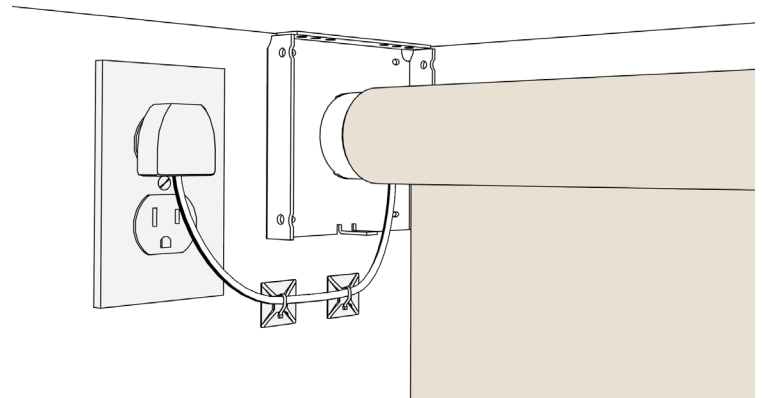
3. Plug in Motor

Run motor power cord to nearest power outlet. Install wire tie pads and secure with zip ties to hold wire down. The path of the wire should be parallel with mullions and/or drop ceiling tiles ensuring the cable is neatly organized.

Note1: If using same outlet for multiple motors, the plug may need to be rotated by loosening the middle screw of the plug and rotate to desired position. Then, tighten screw.

Note2: If you need to shorten the power cord, loosen cord clamp screws. Loosen face screw and separate units. Do not remove screws. Cut cord to desired length. Prepare cord by removing the outer jacket 1 5/8". Strip bare each conductor 3/8" strands. Connect green (ground) wire under terminal clamp with green screw. Connect white (neutral) wire under terminal clamp with silver screw, and black (hot) wire under terminal with brass screw. Reassemble device by aligning to desired position. Tighten face screw. Tighten cord clamp securely, making sure that cord jacket is being clamped uniformly while securing clamp.

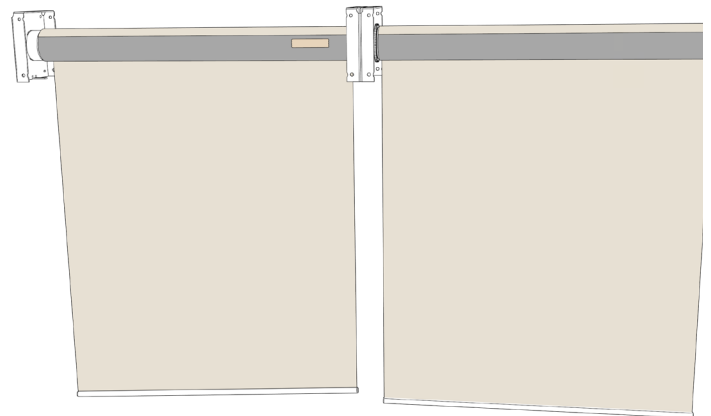
WARNING: Failure to wire as instructed may cause personal injury or damage to device or equipment.



Note: No cord should be cut shorter than 18"

4. Shade Tracking (If Necessary)

Roll shade up and down to confirm hembar or bottom rail is level and material rolls straight on center tube. If the hembar or bottom rail is not level, lower shade until you see the metal tube. Add layers of masking tape to the metal tube to the end that is too low until hembar or bottom rail is straight. If the material tracks to one side, lower shade until the metal tube is visible. Add layers of masking tape to the metal tube to the end that is opposite the direction of tracking, until shade rolls up straight.



5. Install the Fascia

Place the top hanger arm of the fascia into the corner openings of the brackets on the 4 inch side (Fig. 1). Gently push the hooked bottom onto the bracket (Fig. 2) insuring each side is locked.

