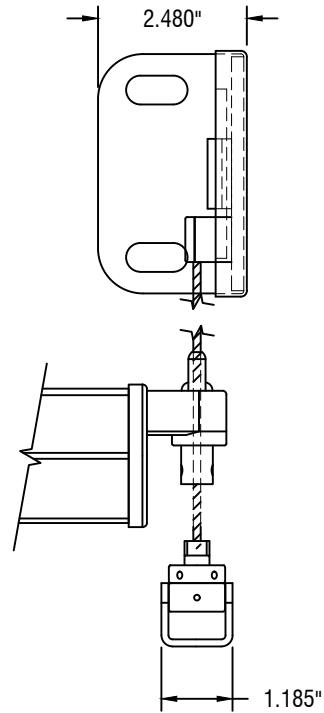
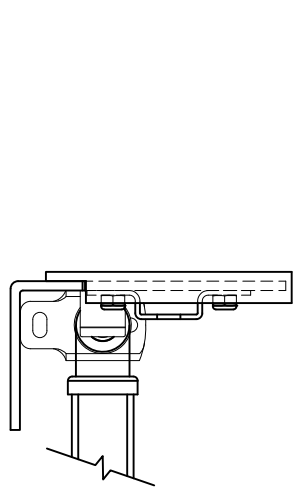


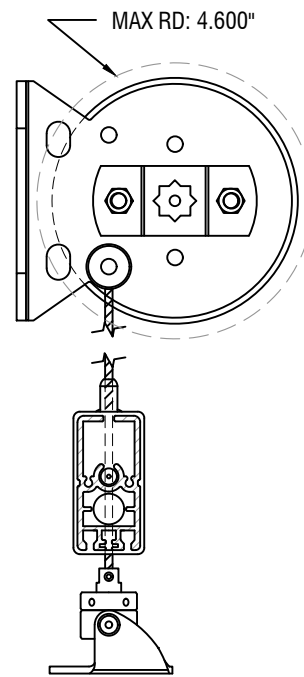
IDLER PROFILE



FRONT PROFILE



TOP PROFILE



MOTOR PROFILE



7240 WOODBINE AVE. SUITE 215
 MARKHAM, ON. L3R 1A4
 (T) 1-888-245-5077
 (P) 1-416-639-1365
 (F) 1-416-639-1366
 WWW.ROLLASHADE.CA

© COPYRIGHT 2016 ROLL-A-SHADE, INC. ALL RIGHTS RESERVED. THIS DRAWING IS THE PROPERTY OF ROLL-A-SHADE, INC. THE GRAPHICS, INFORMATION AND SPECIFIC IDEAS IN THIS DOCUMENT ARE THE EXCLUSIVE PROPERTY OF ROLL-A-SHADE, INC. AND MUST NOT BE MADE PUBLIC, COPIED OR SOLD. OTHERS SEEKING PERMISSION TO REPRODUCE THIS DOCUMENT, IN WHOLE OR IN PART, MUST OBTAIN PERMISSION FROM ROLL-A-SHADE, INC. IN WRITING.

| | |
|-------------|------------------|
| DATE: | 05/18/2020 |
| SHEET SIZE: | 8.5" X 11" |
| SCALE: | 5/16" = 1" |
| DRAWN BY: | SULPISIO MEDRANO |

| | |
|--------|-----------------------|
| TITLE: | EXTERIOR CABLE GUIDED |
| NO.: | RAS-ECG |