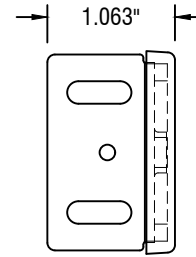
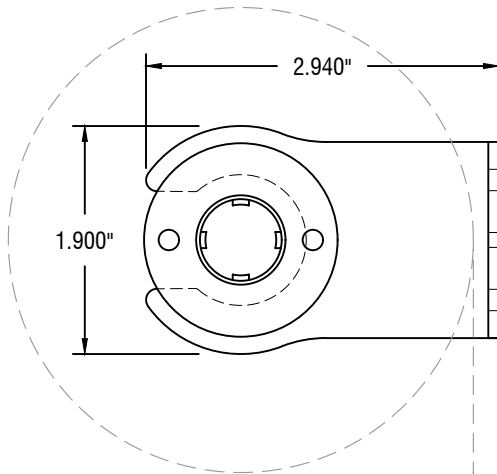


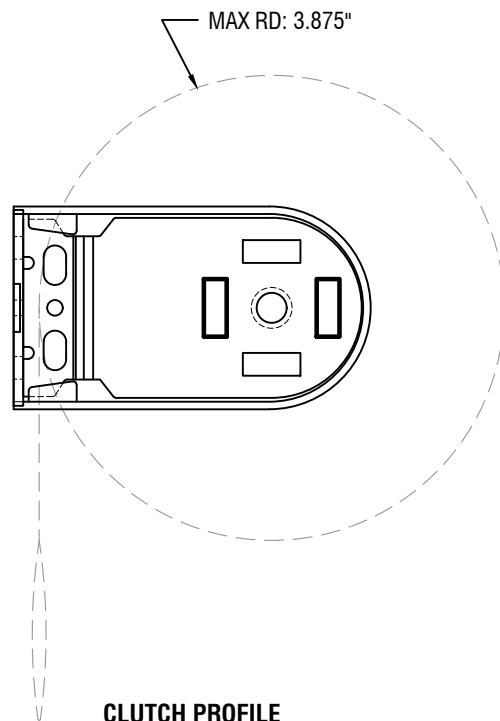
IDLER PROFILE



FRONT PROFILE



INTERMEDIATE PROFILE



CLUTCH PROFILE



12101 MADERA WAY
 RIVERSIDE, CA 92503
 P: 951-245-5077
 F: 951-245-5075
 WWW.ROLLASHADE.COM

© COPYRIGHT 2016 ROLL-A-SHADE, INC. ALL RIGHTS RESERVED. THIS DRAWING IS THE PROPERTY OF ROLL-A-SHADE, INC. THE GRAPHICS, INFORMATION AND SPECIFIC IDEAS IN THIS DOCUMENT ARE THE EXCLUSIVE PROPERTY OF ROLL-A-SHADE, INC. AND MUST NOT BE MADE PUBLIC, COPIED OR SOLD. OTHERS SEEKING PERMISSION TO REPRODUCE THIS DOCUMENT, IN WHOLE OR IN PART, MUST OBTAIN PERMISSION FROM ROLL-A-SHADE, INC. IN WRITING.

DATE:	10/24/2019
SHEET SIZE:	8.5" X 11"
SCALE:	5/8" = 1"
DRAWN BY:	SULPISIO MEDRANO

TITLE:	2" SKYLINE LEGACY BRACKET W/ COVER
NO.:	RAS-2LEG