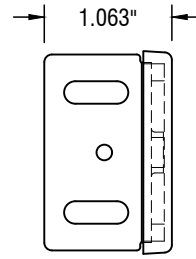
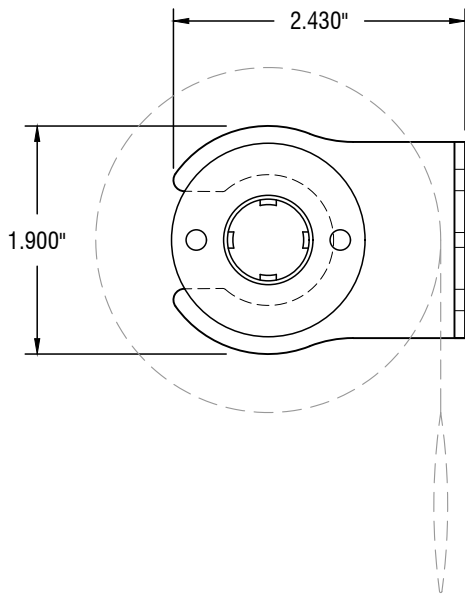


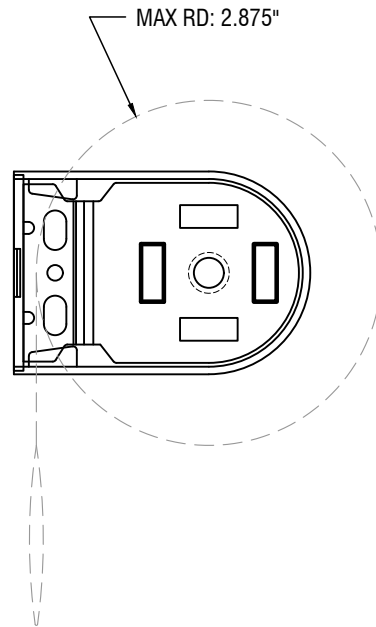
IDLER PROFILE



FRONT PROFILE



INTERMEDIATE PROFILE



CLUTCH PROFILE



12101 MADERA WAY
RIVERSIDE, CA 92503
P: 951-245-5077
F: 951-245-5075
WWW.ROLLASHADE.COM

© COPYRIGHT 2025 ROLL A SHADE®, INC. ALL RIGHTS RESERVED. THIS DRAWING IS THE PROPERTY OF ROLL A SHADE®, INC. THE GRAPHICS INFORMATION AND SPECIFIC IDEAS IN THIS DOCUMENT ARE THE EXCLUSIVE PROPERTY OF ROLL A SHADE®, INC. AND MUST NOT BE MADE PUBLIC, COPIED OR SOLD. OTHERS SEEKING PERMISSION TO REPRODUCE THIS DOCUMENT, IN WHOLE OR IN PART, MUST OBTAIN PERMISSION FROM ROLL A SHADE®, INC. IN WRITING.

| | |
|-------------|------------------|
| DATE: | 11/01/2021 |
| SHEET SIZE: | 8.5" X 11" |
| SCALE: | 5/8" = 1" |
| DRAWN BY: | SULPISIO MEDRANO |

| | |
|---------|----------------------------------|
| SYSTEM: | PLUS+ SHADE |
| TITLE: | 1.5" SKYLINE W/ BRACKET COVER |
| NO.: | RAS-1.5SL |