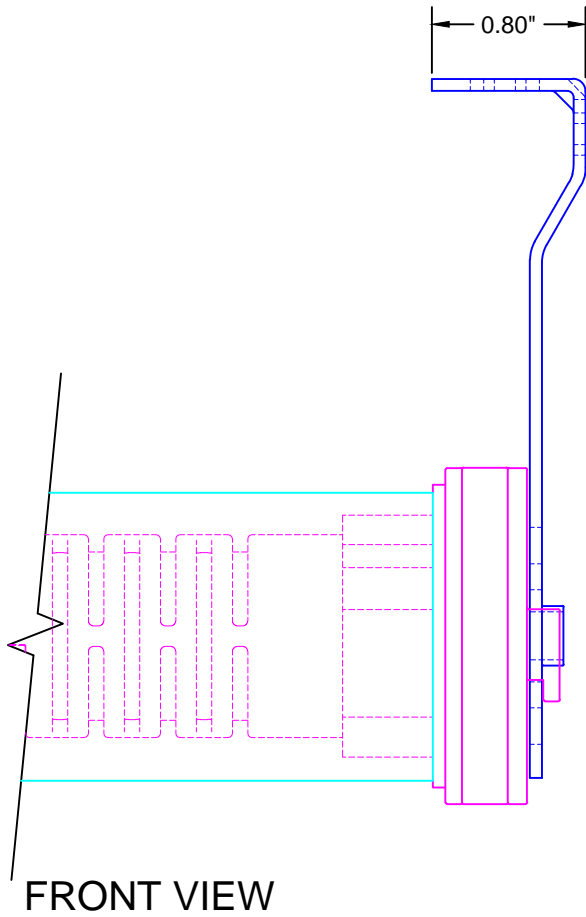
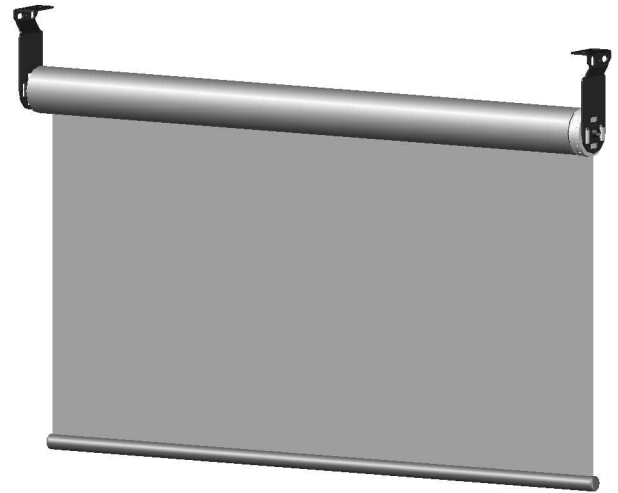
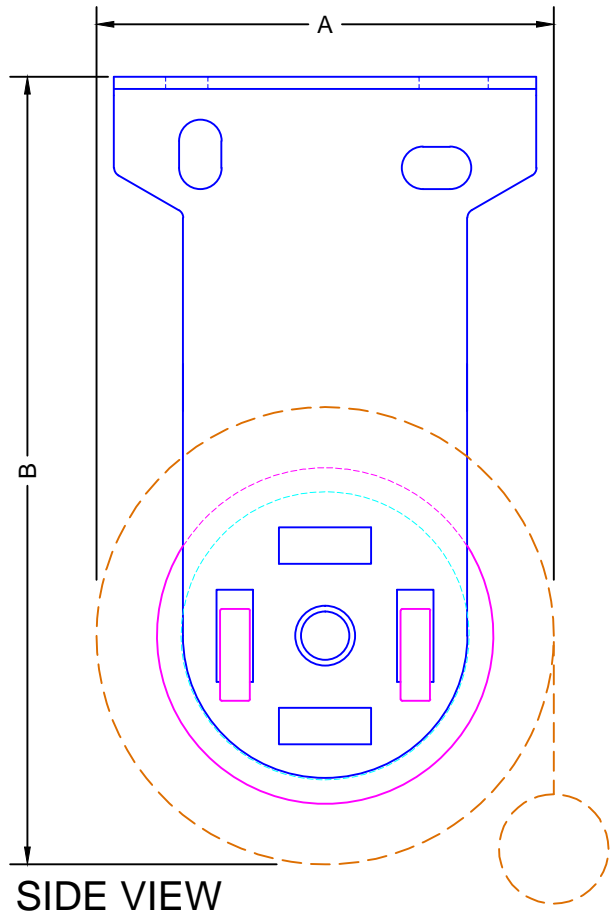


TOP VIEW



FRONT VIEW



SIDE VIEW

SHADE HEIGHT	A	B
120"	± 2.78"	± 4.30"
132"	± 2.88"	± 4.35"
144"	± 2.97"	± 4.40"

NOTE: DIMENSIONS BASED ON PHIFER SHEARWEAVE 4000 FABRIC

LEGEND	
	2.875" LEGACY BRACKET
	SONESSE 30 MOTOR
	1.5" ALUMINUM TUBE
	FABRIC W/ BOTTOM RAIL



ROLL-A-SHADE®
MANUFACTURING SUN CONTROL SOLUTIONS

12101 Madera Way
Riverside, CA 92503

Phone: 951.245.5077
Fax 951.245.5075

DESCRIPTION:

SONESSE 30 MOTORIZED SHADE

*SHOWN ON 2.875" LEGACY SYSTEM

SCALE: 1:1

DATE: 8/15/2013

SHEET NO:

R-9.3