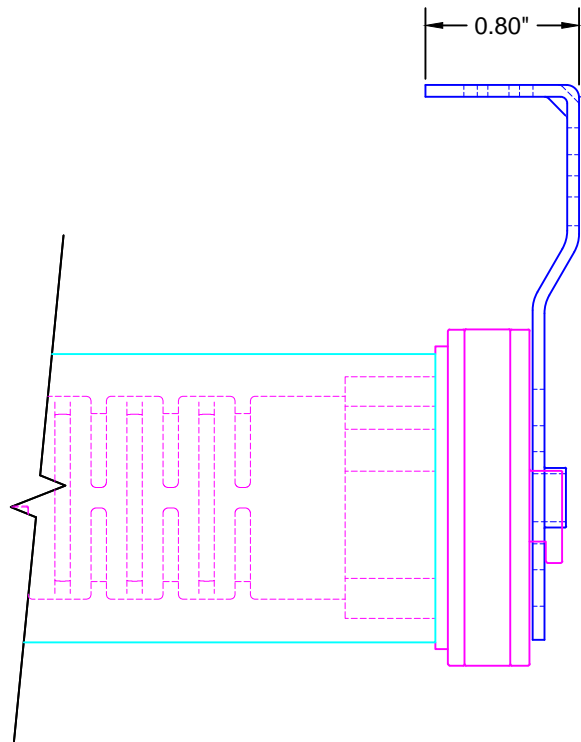
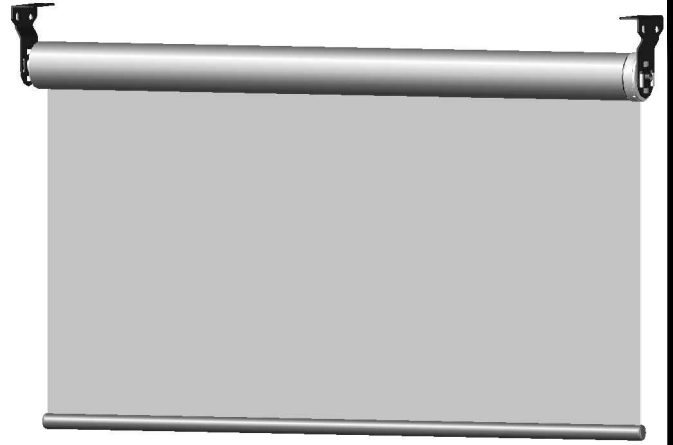
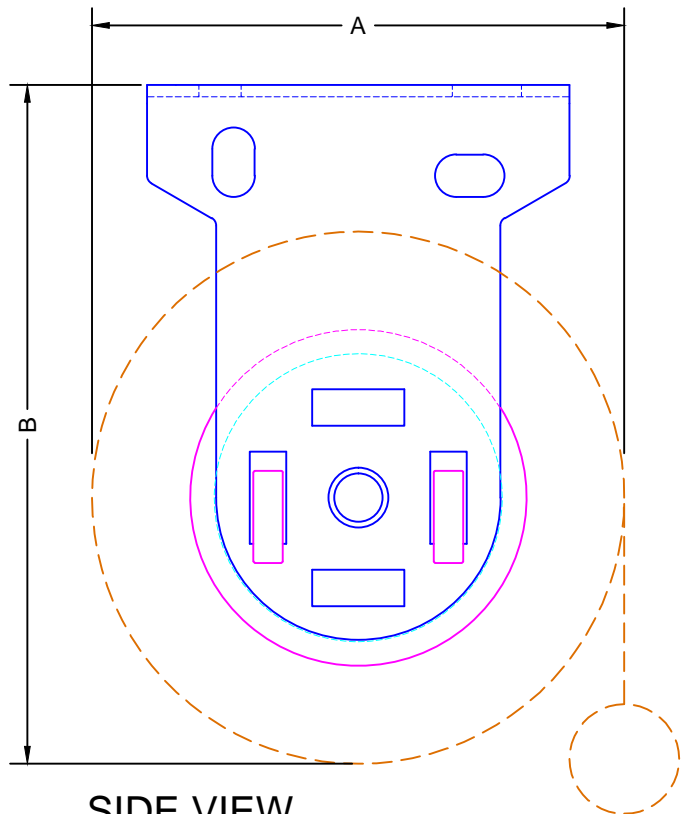


TOP VIEW



FRONT VIEW



SIDE VIEW

SHADE HEIGHT	A	B
108"	± 2.68"	± 3.49"
120"	± 2.78"	± 3.54"
132"	± 2.88"	± 3.59"
144"	± 2.97"	± 3.64"

NOTE: DIMENSIONS BASED ON PHIFER SHEARWEAVE 4000 FABRIC

LEGEND

- 2" LEGACY BRACKET
- SONESSE 30 MOTOR
- 1.5" ALUMINUM TUBE
- FABRIC W/ BOTTOM RAIL



ROLL-A-SHADE®
MANUFACTURING SUN CONTROL SOLUTIONS

12101 Madera Way
Riverside, CA 92503

Phone: 951.245.5077
Fax 951.245.5075

DESCRIPTION:

**SONESSE 30
MOTORIZED SHADE**

*SHOWN ON 2" LEGACY SYSTEM

SCALE: 1:1

DATE: 8/15/2013

SHEET NO:

R-9.2