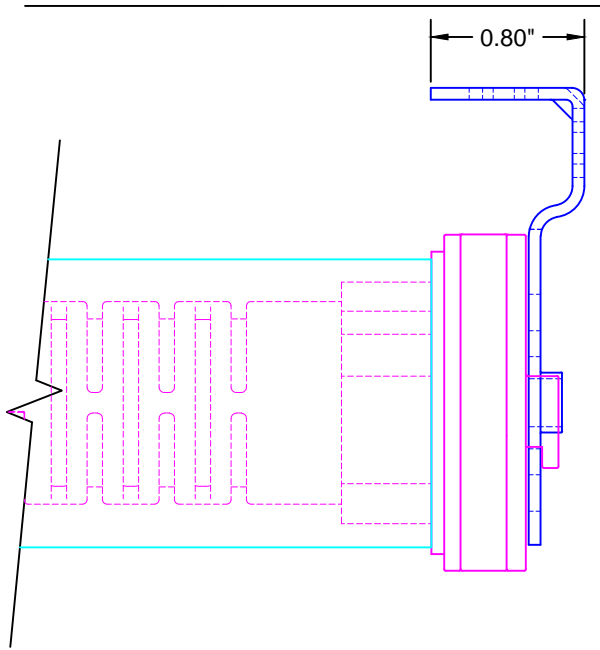
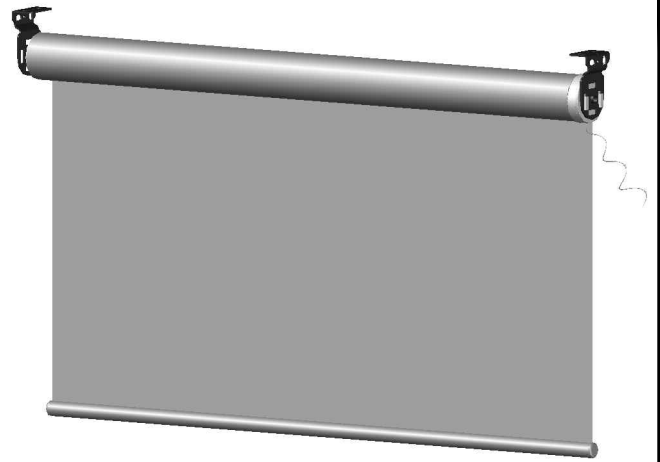
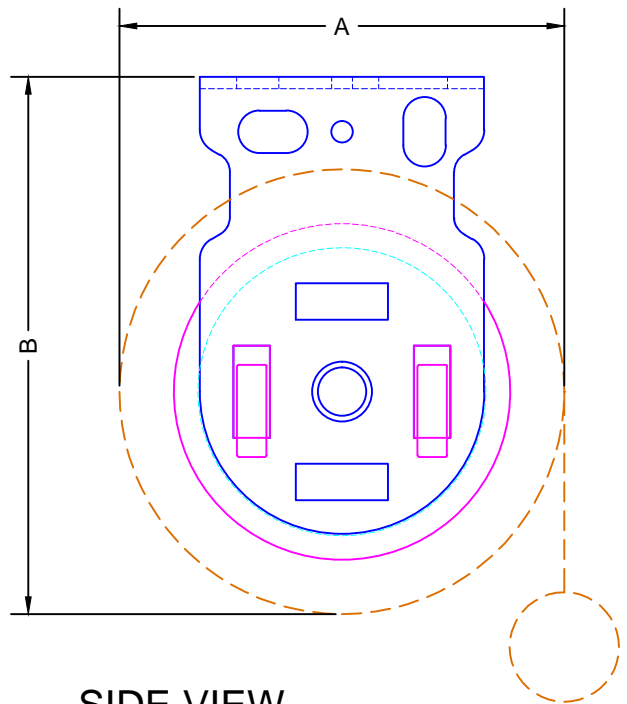


TOP VIEW



FRONT VIEW



SIDE VIEW

SHADE HEIGHT	A	B
36"	± 1.97"	± 2.62"
48"	± 2.11"	± 2.70"
60"	± 2.24"	± 2.76"
72"	± 2.36"	± 2.82"
84"	± 2.47"	± 2.88"
96"	± 2.58"	± 2.93"

NOTE: DIMENSIONS BASED ON PHIFER SHEARWEAVE 4000 FABRIC

**LEGEND**

- 1.5" LEGACY BRACKET
- SONNESE 30 MOTOR
- 1.5" ALUMINUM TUBE
- FABRIC W/ BOTTOM RAIL



**ROLL-A-SHADE®**  
MANUFACTURING SUN CONTROL SOLUTIONS

12101 Madera Way  
Riverside, CA 92503

Phone: 951.245.5077  
Fax 951.245.5075

DESCRIPTION:

**SONESSE 30  
MOTORIZED SHADE**

\*SHOWN ON 1.5" LEGACY SYSTEM

SCALE: 1:1

DATE: 8/15/2013

SHEET NO:

**R-9.1**