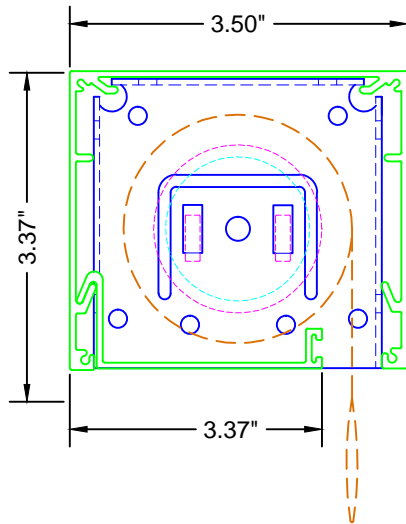
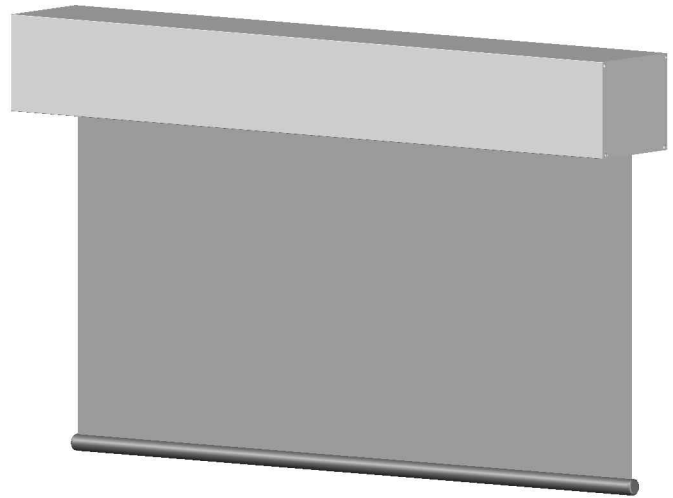
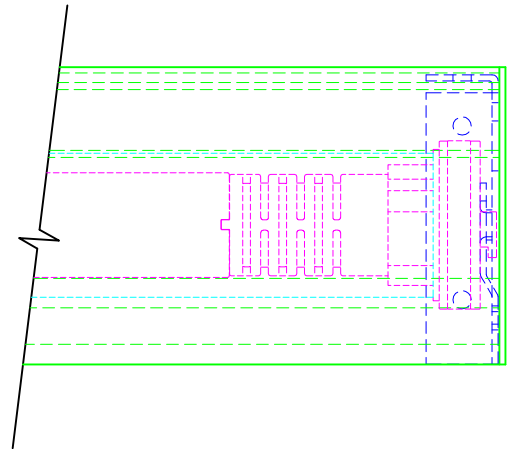


TOP VIEW



SIDE VIEW



FRONT VIEW

LEGEND

- 3" HEAD BOX
- 3" BRACKET
- SONESSE 30 MOTOR
- 1.5" ALUMINUM TUBE
- - - FABRIC W/ HEM BAR



ROLL-A-SHADE®
MANUFACTURING SUN CONTROL SOLUTIONS

12101 Madera Way Phone: 951.245.5077
Riverside, CA 92503 Fax 951.245.5075

DESCRIPTION:

**SONESSE 30
MOTORIZED SHADE**

*SHOWN ON 3" CONTRACT SERIES

SCALE: 6" = 1'-0"

DATE: 8/15/2013

SHEET NO:

R-9.13