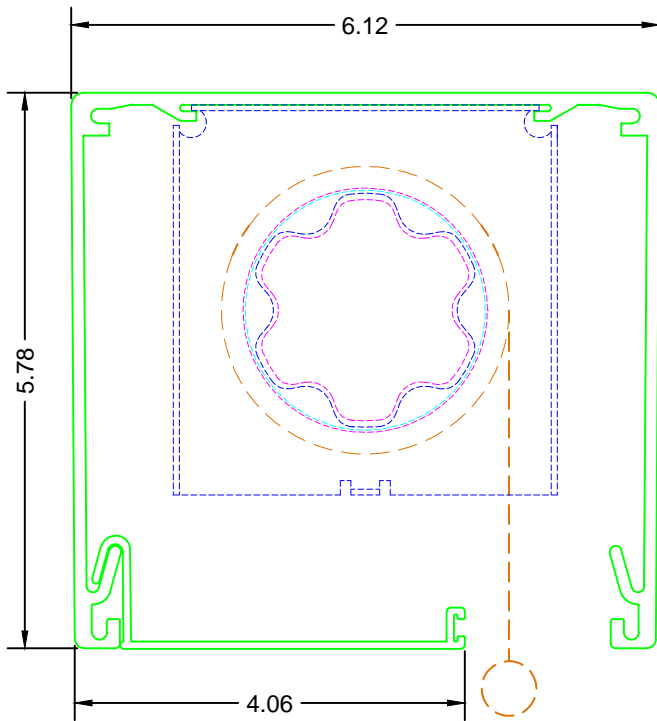
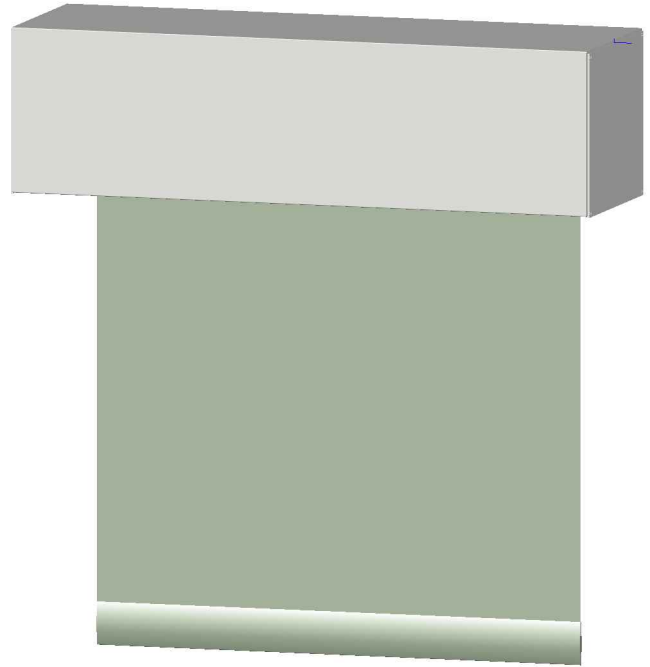
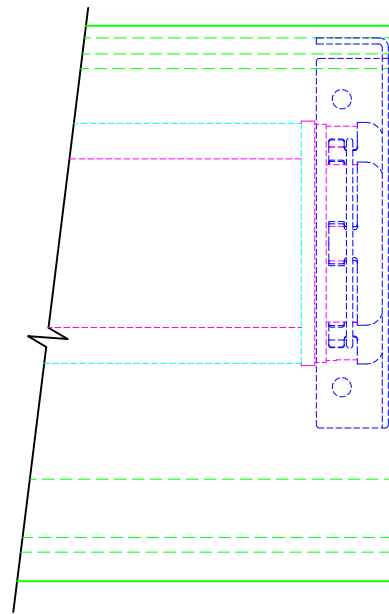


TOP VIEW



SIDE VIEW



FRONT VIEW

LEGEND

- LT50 4" BRACKET
- ALTUS 50 MOTOR
- 6" CONTRACT SERIES HEADBOX
- 2.5" ALUMINUM TUBE
- - - FABRIC W/ BOTTOM RAIL



ROLL-A-SHADE®
MANUFACTURING SUN CONTROL SOLUTIONS

12101 Madera Way Phone: 951.245.5077
Riverside, CA 92503 Fax 951.245.5075

DESCRIPTION:

**ALTUS 50
MOTORIZED SHADE**

*SHOWN WITH 6" CONTRACT SERIES SYSTEM

SCALE: 6" = 1'-0"

DATE: 8/19/2013

SHEET NO:

R-12.3