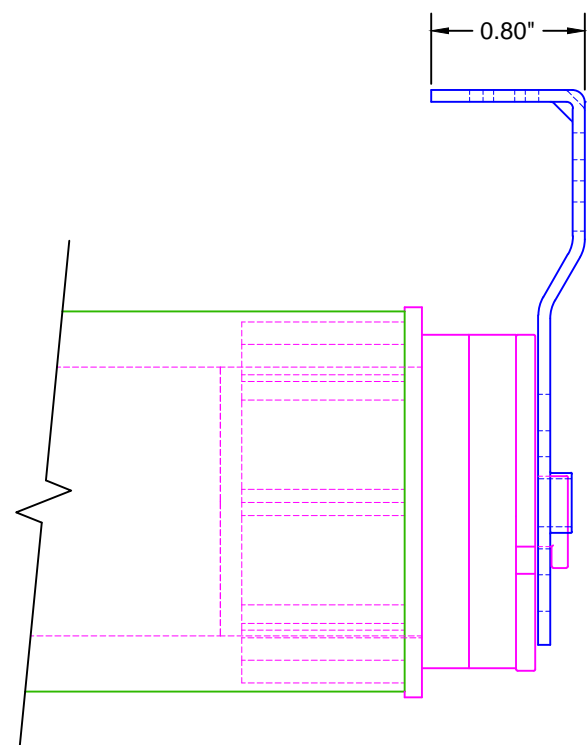
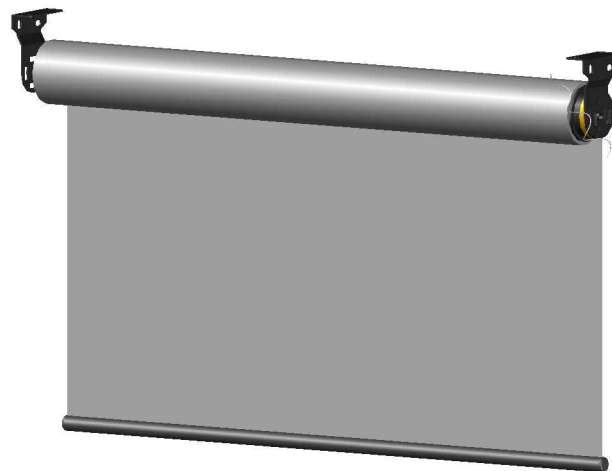
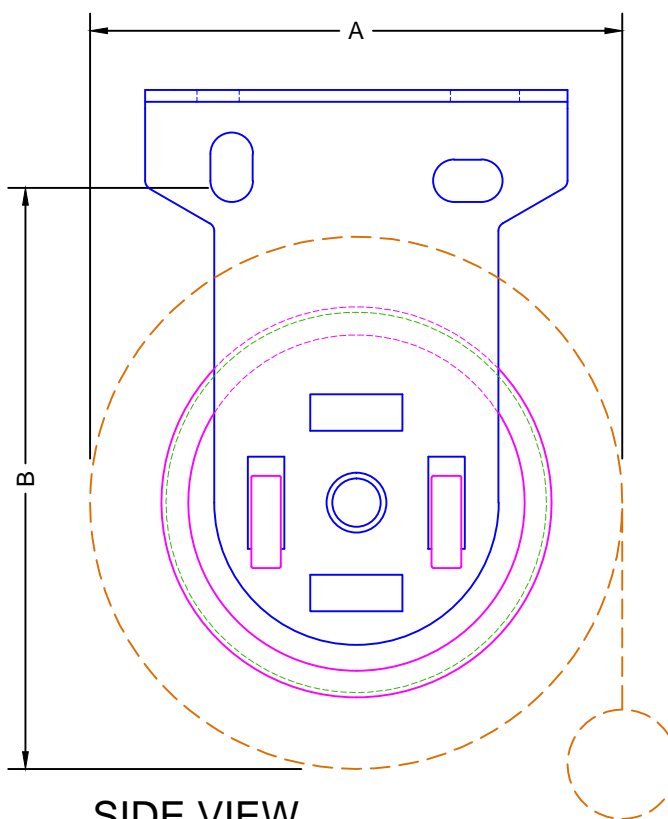


TOP VIEW



FRONT VIEW



SIDE VIEW

SHADE HEIGHT	A	B
108"	± 2.99"	± 3.14"
120"	± 3.08"	± 3.18"
132"	± 3.17"	± 3.23"
144"	± 3.26"	± 3.27"

NOTE: DIMENSIONS BASED ON PHIFER SHEARWEAVE 4000 FABRIC

LEGEND

- 2" LEGACY BRACKET
- ALTUS40 MOTOR
- 2" ALUMINUM TUBE
- FABRIC W/ BOTTOM RAIL



ROLL-A-SHADE®
MANUFACTURING SUN CONTROL SOLUTIONS

12101 Madera Way
Riverside, CA 92503

Phone: 951.245.5077
Fax 951.245.5075

DESCRIPTION:

**ALTUS40
MOTORIZED SHADE**

*SHOWN ON 2" LEGACY SYSTEM

SCALE: 1:1

DATE: 8/19/2013

SHEET NO:

R-11.2