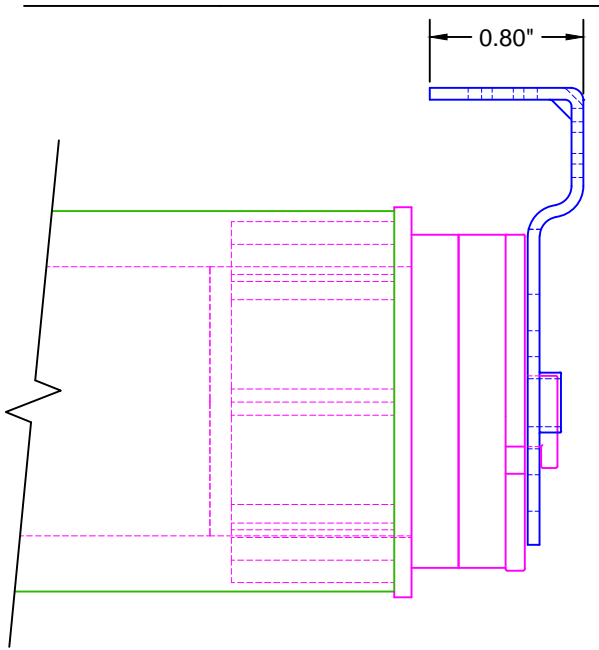
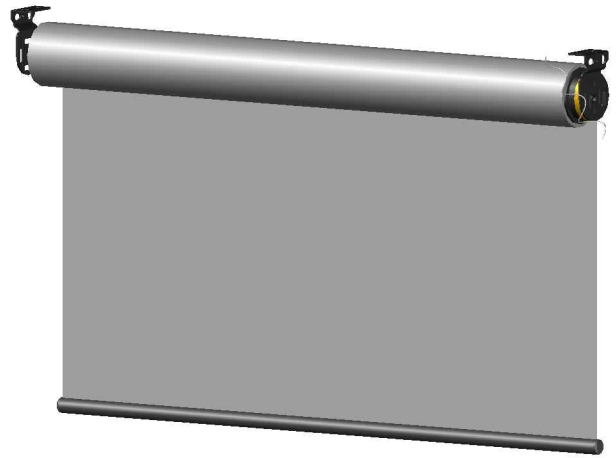
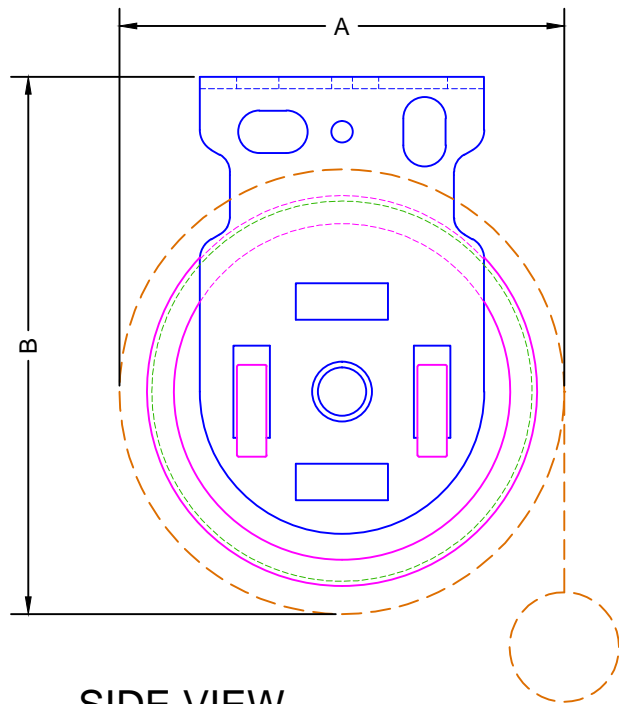


TOP VIEW



FRONT VIEW



SIDE VIEW

SHADE HEIGHT	A	B
36"	± 2.38"	± 2.83"
48"	± 2.49"	± 2.88"
60"	± 2.60"	± 2.94"
72"	± 2.70"	± 2.99"
84"	± 2.80"	± 3.04"
96"	± 2.90"	± 3.09"

NOTE: DIMENSIONS BASED ON PHIFER SHEARWEAVE 4000 FABRIC

LEGEND	
	1.5" LEGACY BRACKET
	ALTUS40 MOTOR
	2" ALUMINUM TUBE
	FABRIC W/ BOTTOM RAIL



ROLL-A-SHADE®
MANUFACTURING SUN CONTROL SOLUTIONS

12101 Madera Way
Riverside, CA 92503

Phone: 951.245.5077
Fax 951.245.5075

DESCRIPTION:

**ALTUS40
MOTORIZED SHADE**

*SHOWN ON 1.5" LEGACY SYSTEM

SCALE: 1:1

DATE: 8/19/2013

SHEET NO:

R-11.1