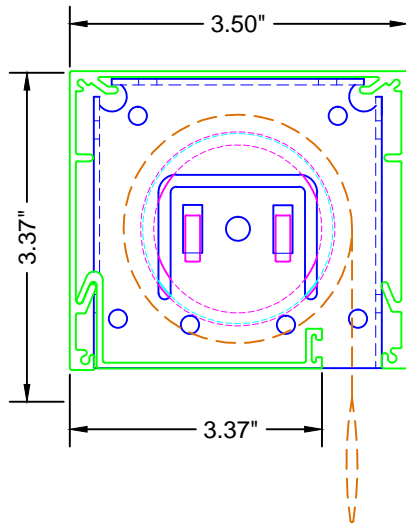
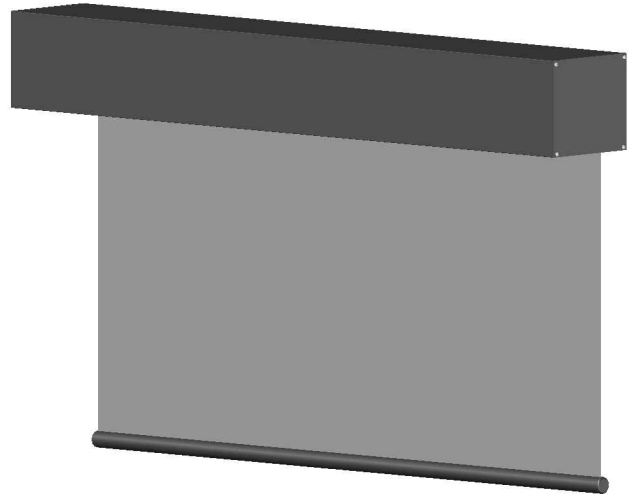
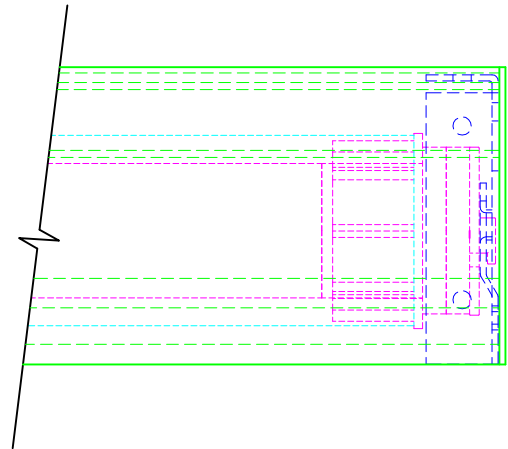


**TOP VIEW**



**SIDE VIEW**



**FRONT VIEW**

**LEGEND**

- 3" HEAD BOX
- 3" BRACKET
- ALTUS40 MOTOR
- 2" ALUMINUM TUBE
- - - FABRIC W/ HEM BAR



**ROLL-A-SHADE®**  
MANUFACTURING SUN CONTROL SOLUTIONS

12101 Madera Way Phone: 951.245.5077  
Riverside, CA 92503 Fax 951.245.5075

DESCRIPTION:

**ALTUS40  
MOTORIZED SHADE**

\*SHOWN ON 3" CONTRACT SERIES

SCALE: 6" = 1'-0"

DATE: 8/19/2013

SHEET NO:

**R-11.13**