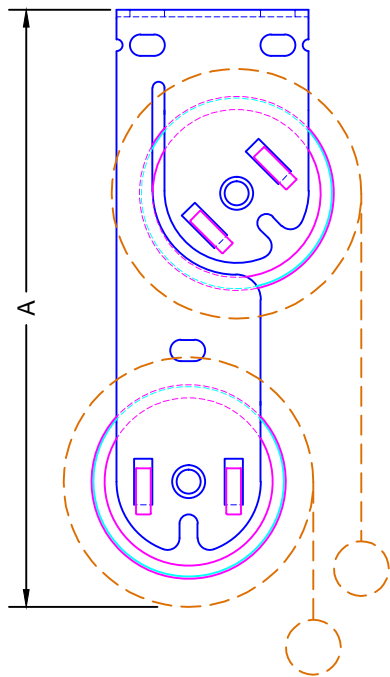
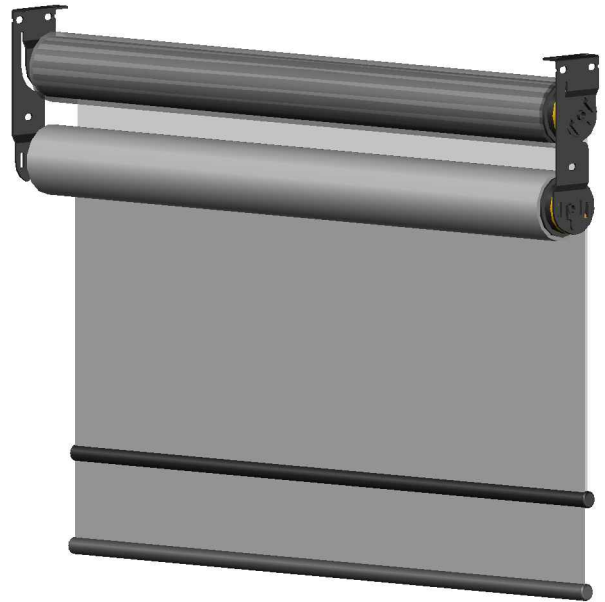
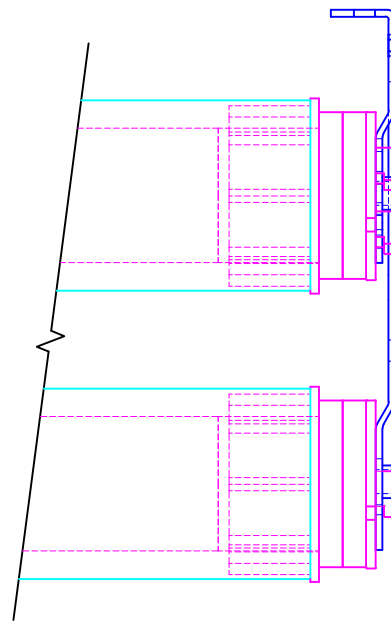


TOP VIEW



SIDE VIEW



FRONT VIEW

SHADE HEIGHT	A
48"	± 6.15"
60"	± 6.21"
72"	± 6.26"
84"	± 6.31"
96"	± 6.36"
108"	± 6.40"

NOTE: DIMENSIONS BASED ON PHIFER SHEARWEAVE 4000 FABRIC

**LEGEND**

- DUAL VERT. BRACKET
- ALTUS40 MOTOR
- 2" ALUMINUM TUBE
- - - FABRIC W/ BOTTOM RAIL



**ROLL-A-SHADE®**  
MANUFACTURING SUN CONTROL SOLUTIONS

12101 Madera Way  
Riverside, CA 92503

Phone: 951.245.5077  
Fax 951.245.5075

DESCRIPTION:

**ALTUS40  
MOTORIZED SHADE**

\*SHOWN ON DUAL VERTICAL SHADE

SCALE: 6" = 1'-0"

DATE: 8/19/2013

SHEET NO:

**R-11.12**