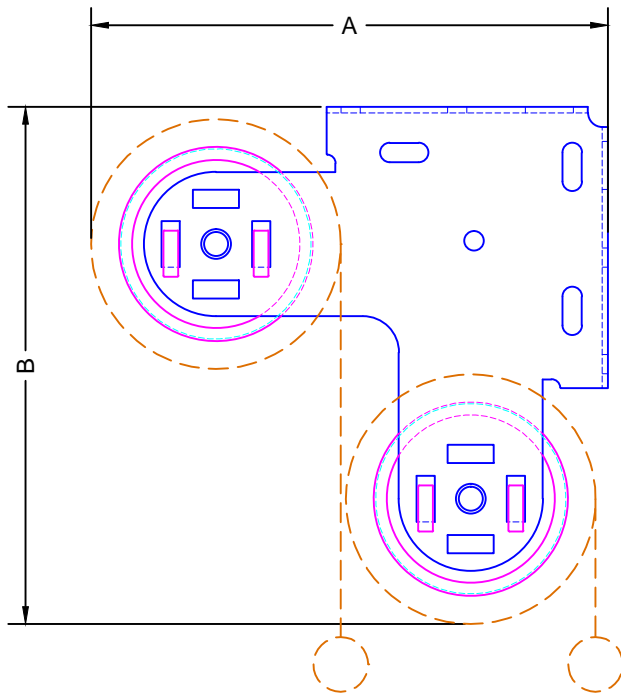
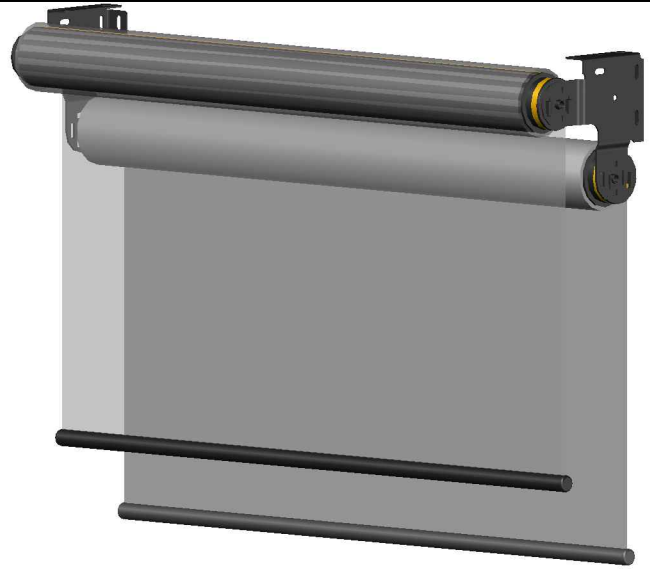
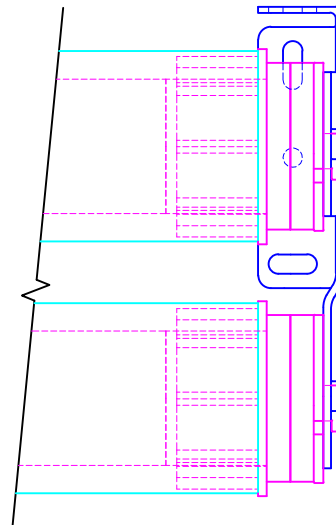


TOP VIEW



SIDE VIEW



FRONT VIEW

SHADE HEIGHT	A	B
36"	± 5.28"	± 5.28"
48"	± 5.33"	± 5.33"
60"	± 5.38"	± 5.38"
72"	± 5.43"	± 5.43"
84"	± 5.48"	± 5.48"

NOTE: DIMENSIONS BASED ON PHIFER SHEARWEAVE 4000 FABRIC

LEGEND

- 5" 45° DUAL BRACKET
- ALTUS40 MOTOR
- 2" ALUMINUM TUBE
- - - FABRIC W/ BOTTOM RAIL



ROLL-A-SHADE®
MANUFACTURING SUN CONTROL SOLUTIONS

12101 Madera Way
Riverside, CA 92503

Phone: 951.245.5077
Fax 951.245.5075

DESCRIPTION:

**ALTUS40
MOTORIZED SHADE**

*SHOWN ON 5" 45° DUAL SHADE

SCALE: 6" = 1'-0"

DATE: 8/19/2013

SHEET NO:

R-11.11