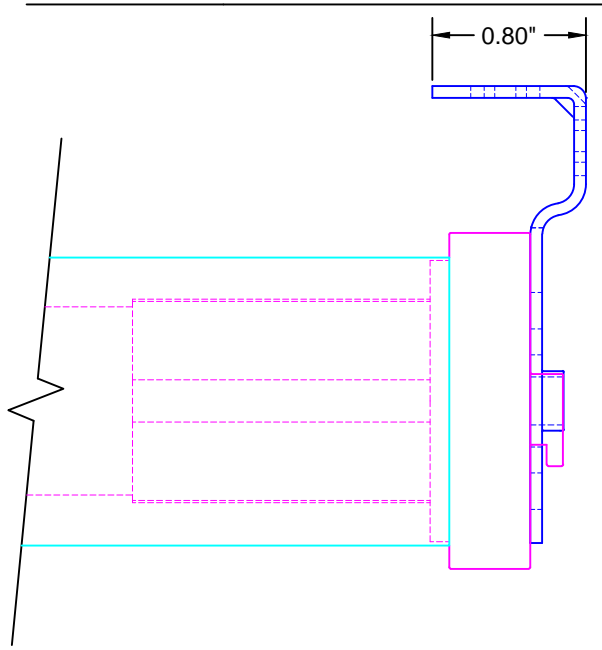
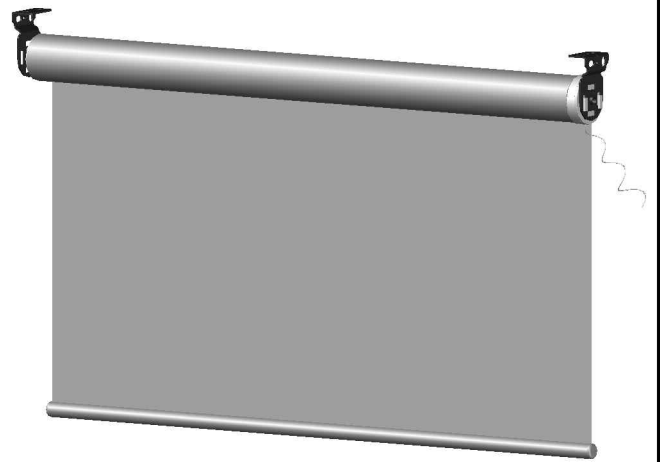
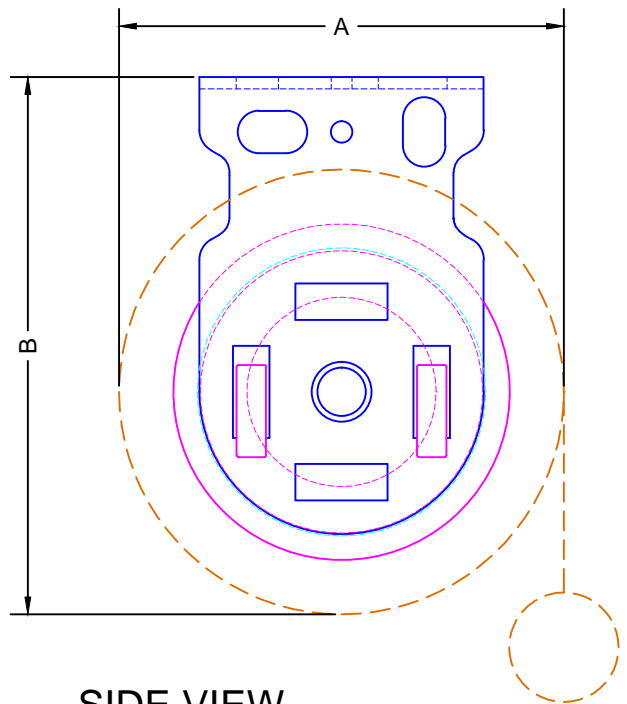


TOP VIEW



FRONT VIEW



SIDE VIEW

SHADE HEIGHT	A	B
36"	± 1.97"	± 2.62"
48"	± 2.11"	± 2.70"
60"	± 2.24"	± 2.76"
72"	± 2.36"	± 2.82"
84"	± 2.47"	± 2.88"
96"	± 2.58"	± 2.93"

NOTE: DIMENSIONS BASED ON PHIFER SHEARWEAVE 4000 FABRIC

LEGEND	
	1.5" LEGACY BRACKET
	LT30 MOTOR
	1.5" ALUMINUM TUBE
	FABRIC W/ BOTTOM RAIL



ROLL-A-SHADE®
MANUFACTURING SUN CONTROL SOLUTIONS

12101 Madera Way
Riverside, CA 92503

Phone: 951.245.5077
Fax 951.245.5075

DESCRIPTION:

LT30 MOTORIZED SHADE

*SHOWN ON 1.5" LEGACY SYSTEM

SCALE:

1:1

DATE:

8/19/2013

SHEET NO:

R-10.1