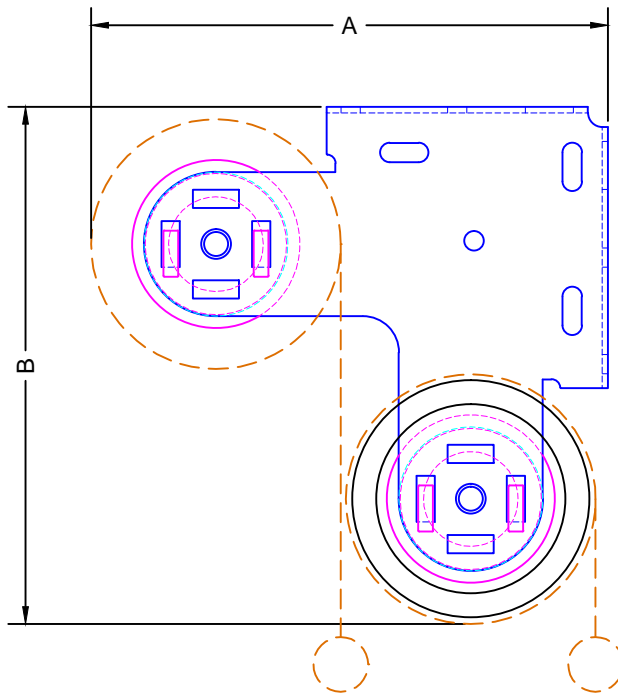
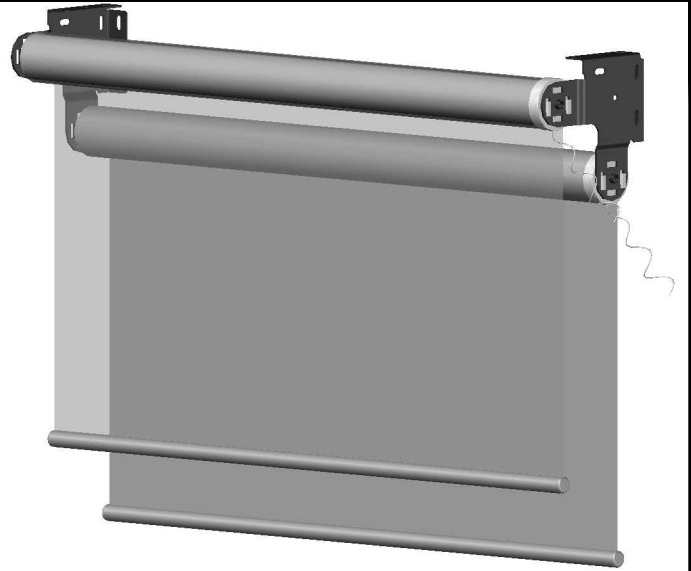
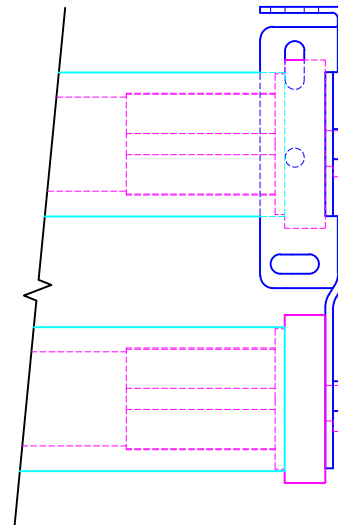


TOP VIEW



SIDE VIEW



FRONT VIEW

SHADE HEIGHT	A	B
36"	± 5.06"	± 5.06"
48"	± 5.13"	± 5.13"
60"	± 5.20"	± 5.20"
72"	± 5.26"	± 5.26"
84"	± 5.31"	± 5.31"

NOTE: DIMENSIONS BASED ON PHIFER SHEARWEAVE 4000 FABRIC

LEGEND

- 5" 45° DUAL BRACKET
- LT30 MOTOR
- 1.5" ALUMINUM TUBE
- - - FABRIC W/ BOTTOM RAIL



ROLL-A-SHADE®
MANUFACTURING SUN CONTROL SOLUTIONS

12101 Madera Way
Riverside, CA 92503

Phone: 951.245.5077
Fax 951.245.5075

DESCRIPTION:

**LT30 MOTORIZED
SHADE**

*SHOWN ON 5" 45° DUAL SHADE

SCALE: 6" = 1'-0"

DATE: 8/19/2013

SHEET NO:

R-10.11