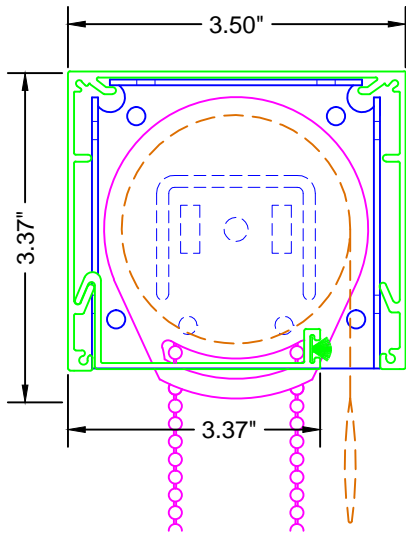
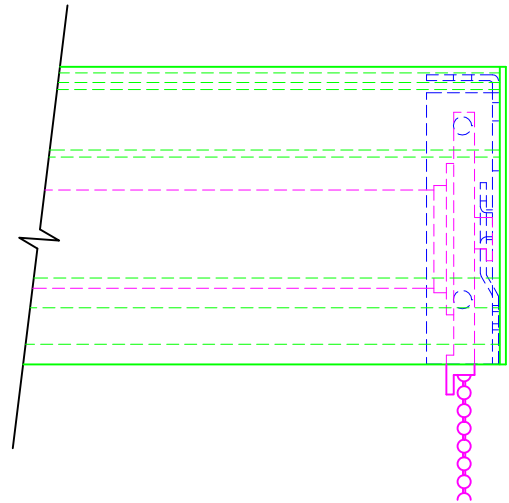






TOP VIEW



SIDE VIEW



FRONT VIEW

LEGEND	
	3" SHADE ENCLOSURE
	3" BRACKET- <small>SEE R-2.1 FOR DIMENSIONS</small>
	SL-20 CLUTCH
	FABRIC W/ HEM BAR



ROLL-A-SHADE®
MANUFACTURING SUN CONTROL SOLUTIONS

12101 Madera Way
Riverside, CA 92503

Phone: 951.245.5077
Fax 951.245.5075

DESCRIPTION:

**3" CONTRACT SERIES
WITH OPTIONAL SIDE
CHANNELS**

SCALE: 6" = 1'-0"

DATE: 8/14/2013

SHEET NO:

R-6.5