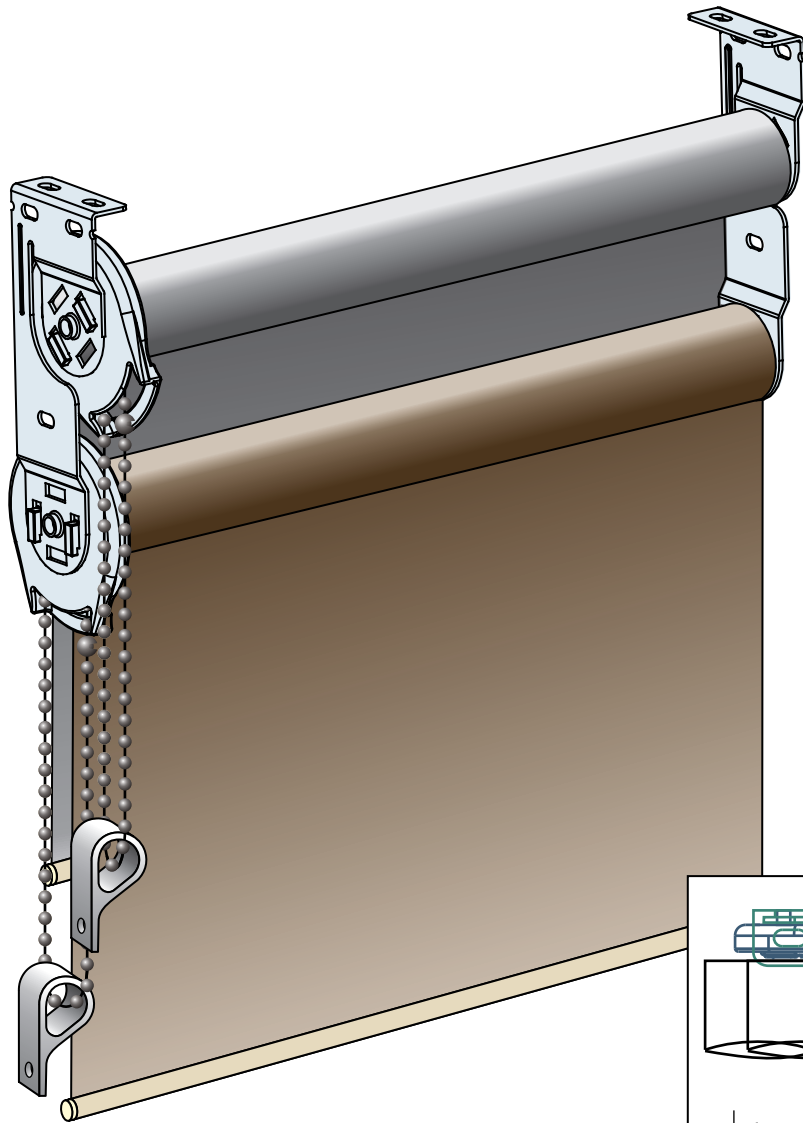


VERTICAL DUAL SHADE SYSTEM



Technical Data:

- 0.062" Extruded 6063 T-5 aluminum alloy with a powder coated finish.
- Powder coating available in white, vanilla, black, silver or bronze. Custom match colors are also available to meet your installation requirements and designer's specifications.

Note:

- Example shown is for inside mount only. Outside mount option also available. See page 14

- **Inside mount only**
- **Vertically stacked design is not intrusive into the room resulting in a streamline look**

Dual shades provide faster, easier, more economical installation of two shades per window. The mounting brackets require less measuring and are pre-spaced to insure proper alignment of both shades in relation to each other. Our fascias, brackets and bottom rails are available in 10 attractive colors. We can also custom match ICI® or Pantone® colors to meet your installation and designer's specifications.

