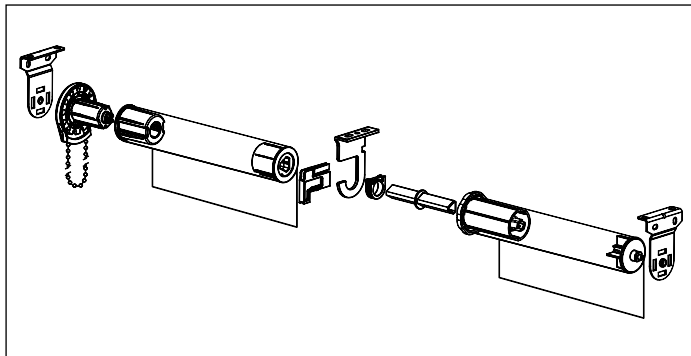
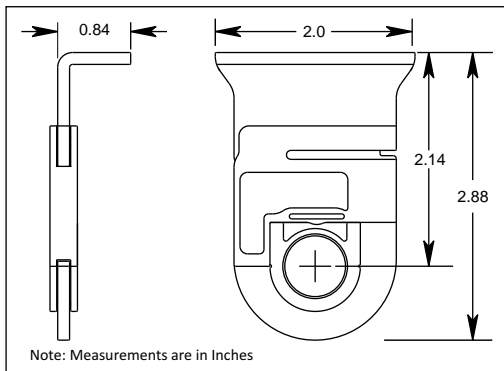
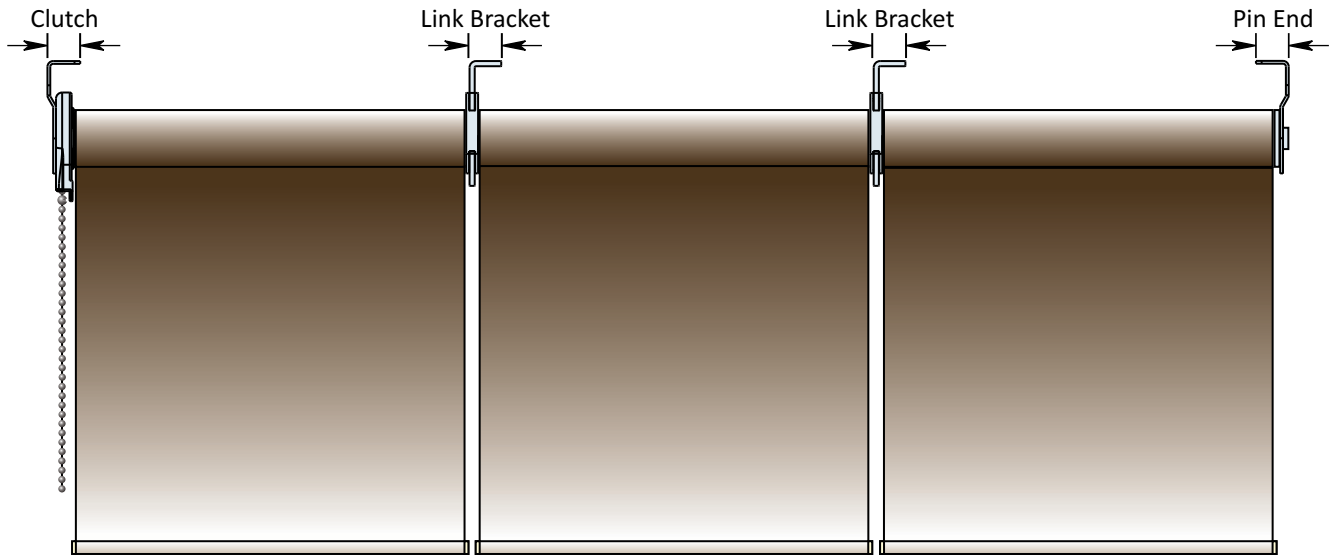


# LINK DRIVE SYSTEM



- Guarantees shades are always aligned
- Allows many shades to be operated at once
- Reduces chain controls and motors

Our link system combines two or more roller shades that are operated by one roller shade clutch. This unique system allows for snap-in installation and precise level adjustment. This design has an added level of safety as it cannot be removed without first removing the leveling screw.