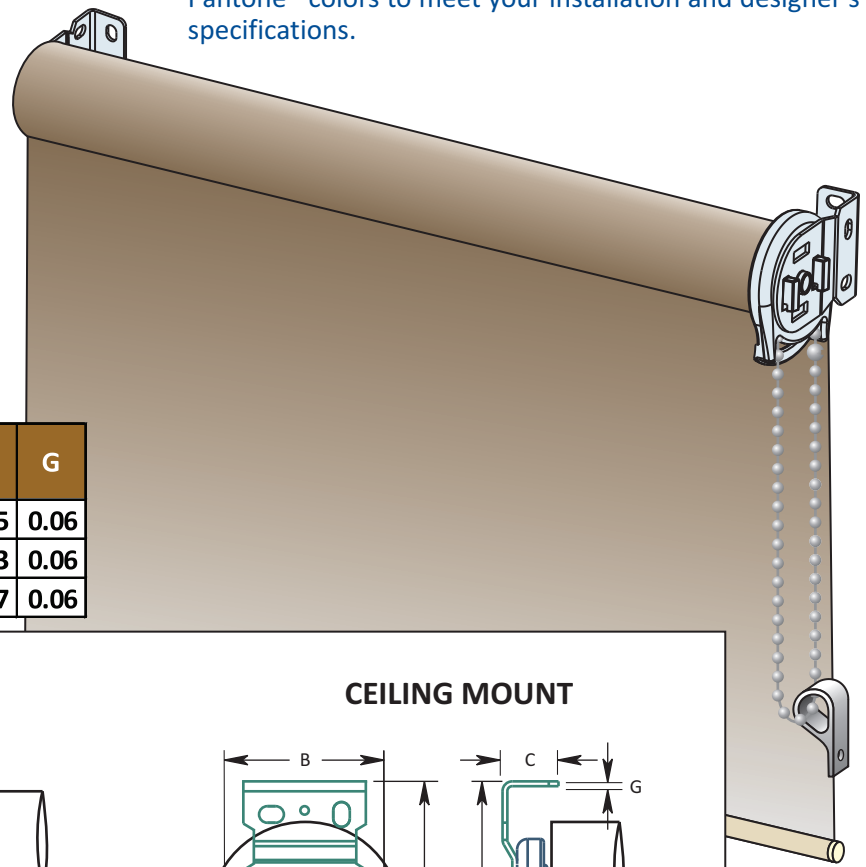




- **Cost effective shade solution**
- **This non-fascia system is perfect for any commercial environment**
- **The fully exposed shade provides a very modern appearance**
- **Specially designed for 2" retail mullions**

Our superior Legacy Shade System™ is a compact, heavy-duty, premium grade commercial system that is designed for small shades in narrow spaces. The bracketing system is universal which allows the controls to be mounted on either side. The military grade nylon clutch was designed with an unbeatable quiet performance, strength and durability. The systems hooked clutch and spring loaded pin end add additional safety. The operating chain is available in nickel plated steel or nylon in a variety of colors. Our brackets and bottom rails are available in 10 attractive colors. We can also custom match ICI® or Pantone® colors to meet your installation and designer's specifications.

LEGACY SHADE SYSTEM™



Note: Measurements are in Inches

CLUTCH MODEL	A	B	C	D	E	F	G
SL - 10	2.60	1.94	0.80	2.29	1.48	2.95	0.06
SL - 20	2.96	2.67	0.80	3.02	1.48	3.33	0.06
SL - 30	3.99	3.68	0.74	4.39	2.28	4.57	0.06

