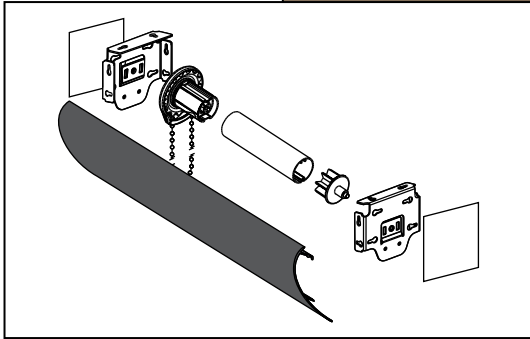
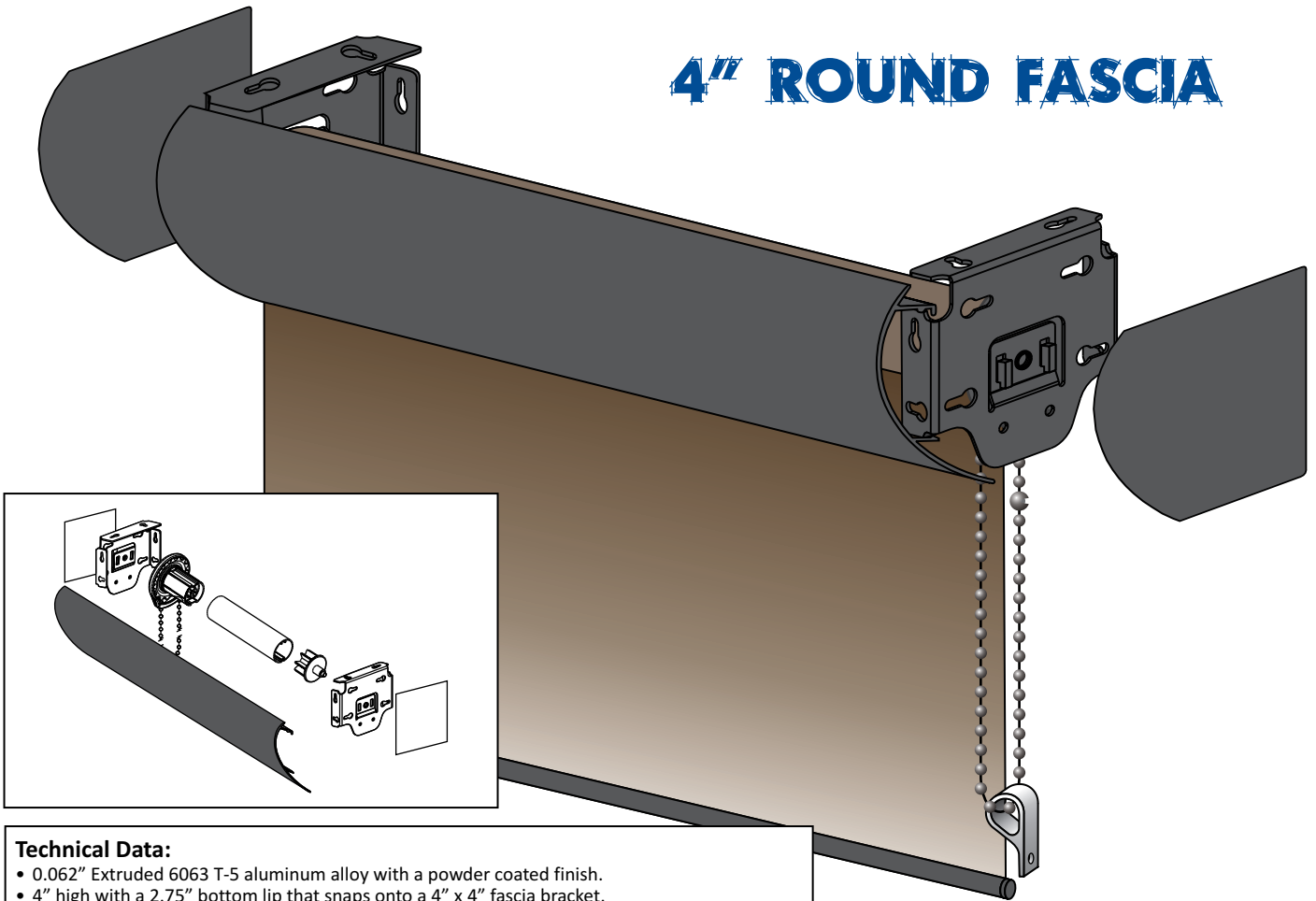
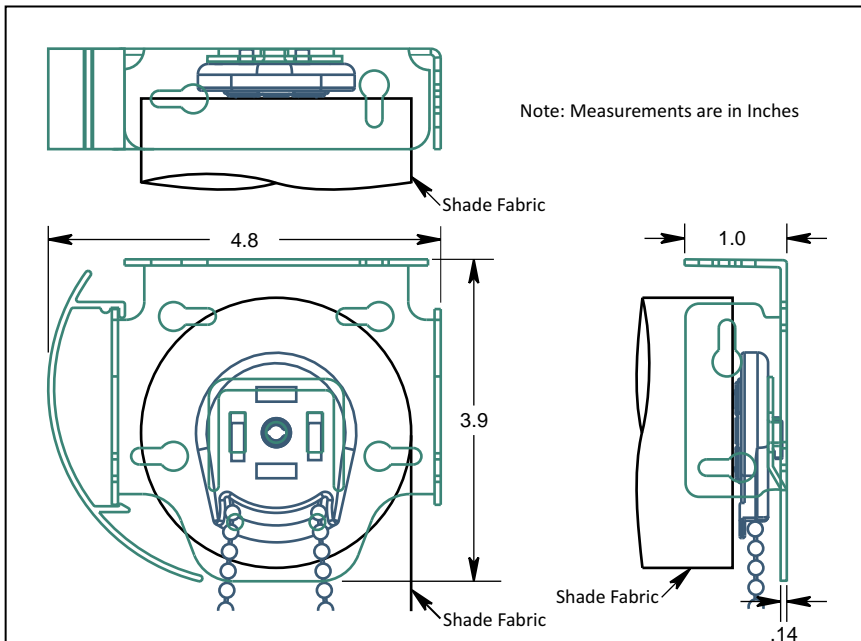


4" ROUND FASCIA



Technical Data:

- 0.062" Extruded 6063 T-5 aluminum alloy with a powder coated finish.
- 4" high with a 2.75" bottom lip that snaps onto a 4" x 4" fascia bracket.
- Brackets are powder coated to match the fascia panels and bottom rail.
- Optional color coordinated bracket end caps available for outside mount.
- Powder coating available in white, vanilla, black, clear anodized, bronze and custom colors. Custom match colors are also available to meet your installation requirements and designer's specifications. See page 14



- Ideal for large windows
- Sleek alternative to the flat faced fascias, giving it a more streamline look
- One fascia can cover many shades seamlessly

The 4" Round Fascia panel conceals the front and bottom of the roller tube and mounting hardware which provides a very custom and clean finished look. Our fascias, brackets and bottom rails are available in 10 attractive colors. We can also custom match ICI® or Pantone® colors to meet your installation and designer's specifications.