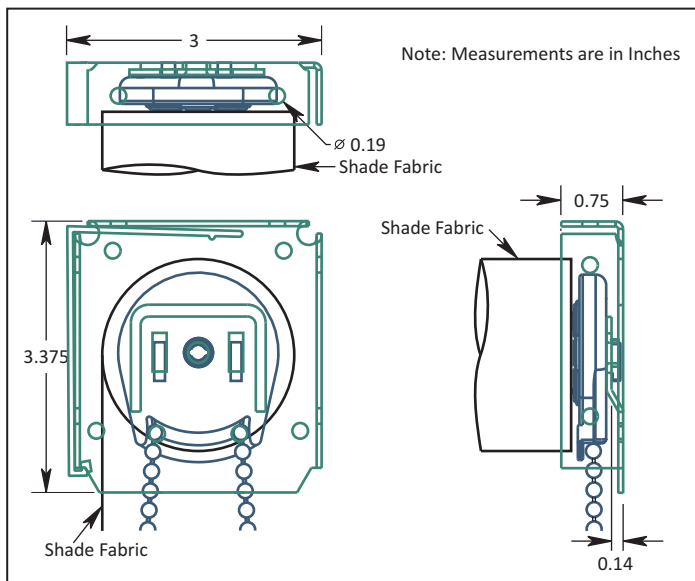
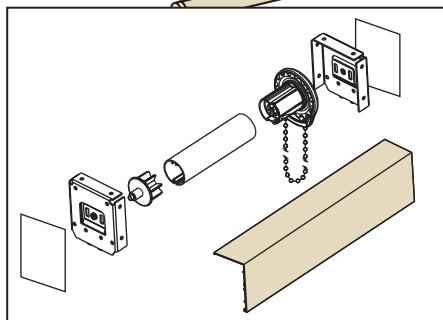
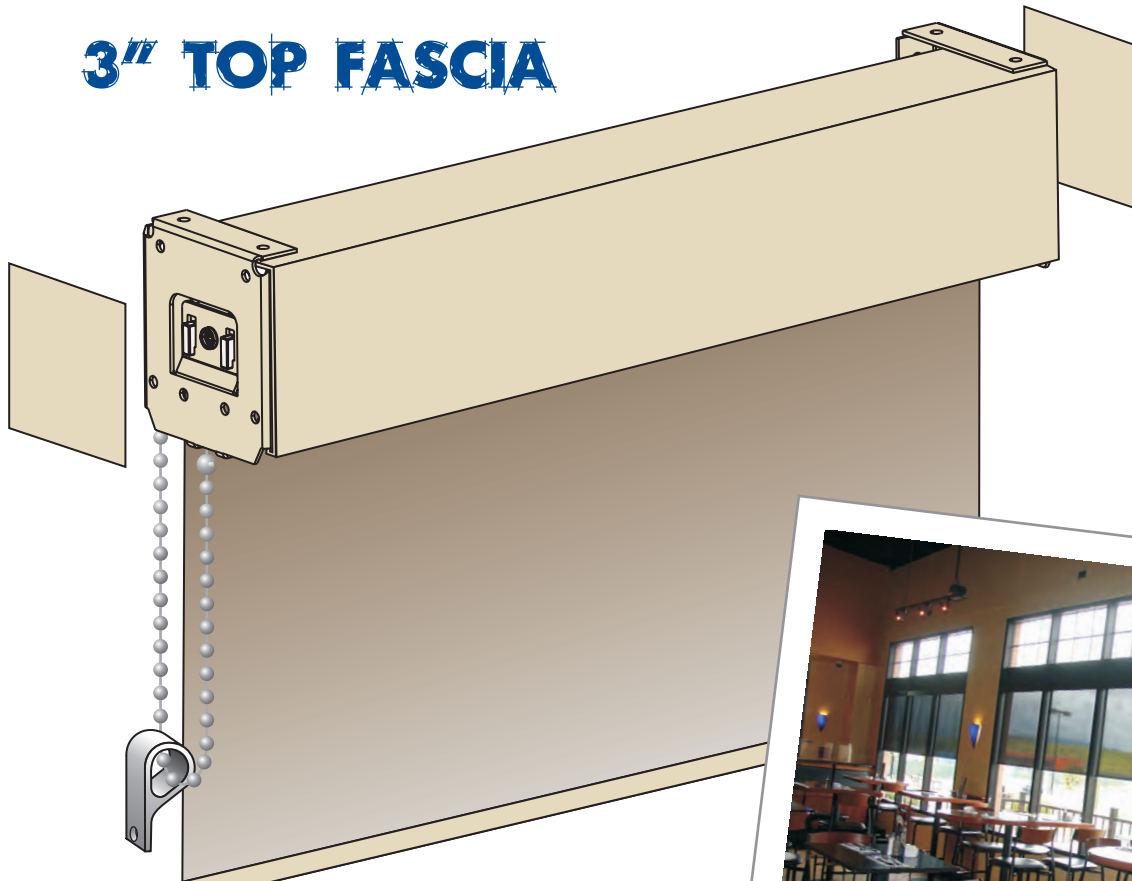


3" TOP FASCIA



- **Cost effective fascia system**
- **Reduces dust and dirt collection on fabric**

Roll-A-Shade® fascias are constructed of L shaped extruded aluminum. The 3" Top Fascia panel conceals the front and top of the roller tube and mounting hardware. This design protects the fabric from long term dust and dirt collection. The fascia system is designed for fast, easy and secure installation. Our fascias, brackets and bottom rails are available in 10 attractive colors. We can also custom match ICI® or Pantone® colors to meet your installation and designer's specifications.

Technical Data:

- 0.062" Extruded 6063 T-5 aluminum alloy with a powder coated finish.
- 3" high with a 2.25" top lip that snaps onto a 3" x 3.375" fascia bracket.
- Brackets are powder coated to match the fascia panels and bottom rail.
- Optional color coordinated bracket end caps available for outside mount.
- Powder coating available in white, vanilla, black, clear anodized, bronze and custom colors. Custom match colors are also available to meet your installation requirements and designer's specifications. See page 22