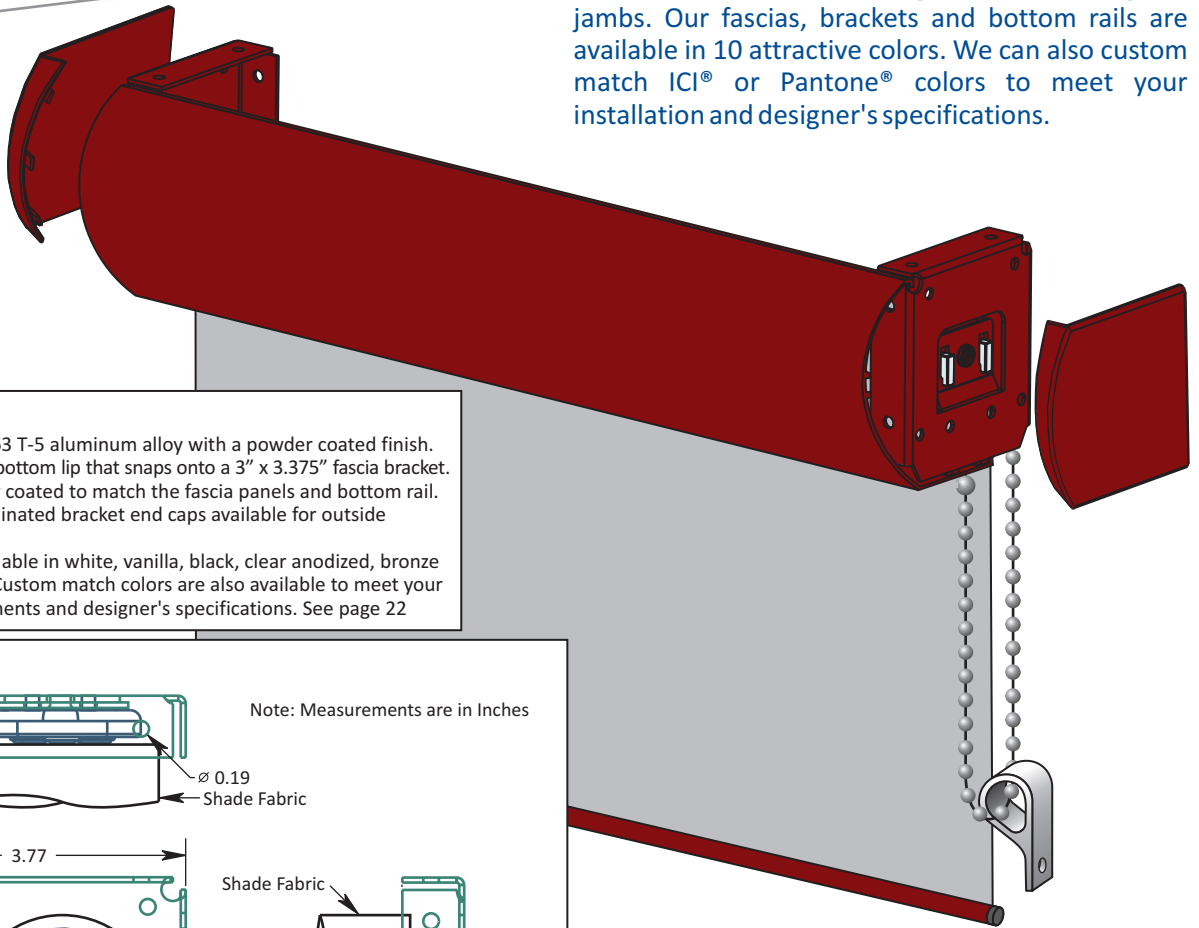




3" ROUND FASCIA

- Sleek alternative to the flat faced fascias
- Provides a streamline look

Due to the design of our drive brackets and fascias, the drive chain is offset to drop behind the return edge of the fascia. The fascia system is designed for fast, easy and secure installation. The universal brackets allow for mounting to walls, ceilings or jambs. Our fascias, brackets and bottom rails are available in 10 attractive colors. We can also custom match ICI® or Pantone® colors to meet your installation and designer's specifications.



Technical Data:

- 0.062" Extruded 6063 T-5 aluminum alloy with a powder coated finish.
- 3" high with a 2.25" bottom lip that snaps onto a 3" x 3.375" fascia bracket.
- Brackets are powder coated to match the fascia panels and bottom rail.
- Optional color coordinated bracket end caps available for outside mount.
- Powder coating available in white, vanilla, black, clear anodized, bronze and custom colors. Custom match colors are also available to meet your installation requirements and designer's specifications. See page 22

